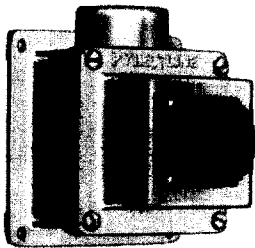


# RECEPTACLE MOUNTED TO JUNCTION BOX

## with straight adapter

To specify a complete receptacle, substitute the Dash No. of the contact insert selected, for the Asterisk (\*) in the Catalog No. below.

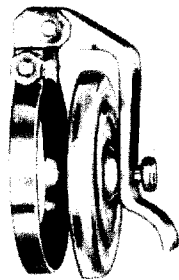


Types  
ZRLA  
ZRCA  
ZREA

Shell Size	Hub Size†	Cat. No.	DIMENSIONS								
			A	B	C	D	E	F	G	H	
12	3/4 1	ZRLA-2 12-*	5 1/4	4 5/8	4 3/16	3 3/16	2 3/8	1 27/32	1	9/32	
		ZRLA-3 12-*	5 1/4	4 5/8	4 3/16	3 3/16	2 3/8	1 27/32	1	9/32	
16	1	ZRLA-3 16-*	5 1/4	4 5/8	4 3/16	3 3/16	2 3/8	1 27/32	1	9/32	
	1 1/4	ZRLA-4 16-*	5 1/4	4 5/8	4 3/16	3 3/16	2 3/8	1 17/32	1	9/32	
	1 1/2	ZRLA-5 16-*	5 1/4	4 5/8	4 3/16	3 3/16	2 3/8	1 27/32	1	9/32	
20	1 1/4	ZRLA-4 20-*	6	5 1/4	4 1/2	3 3/8	3 3/4	3 1/16	1 7/32	9/32	
	1 1/2	ZRLA-5 20-*	6	5 1/4	4 1/2	3 3/8	3 3/4	2 1/16	1 7/32	9/32	
	2	ZRLA-6 20-*	6	5 1/4	4 1/2	3 3/8	3 3/4	2 1/16	1 7/32	9/32	
C20	1 1/4	ZRLA-4 C20-*	6	5 1/4	4 1/2	3 3/8	3 3/4	2 9/16	1 7/32	9/32	
	1 1/2	ZRLA-5 C20-*	6	5 1/4	4 1/2	3 3/8	3 3/4	2 9/16	1 7/32	9/32	
	2	ZRLA-6 C20-*	6	5 1/4	4 1/2	3 3/8	3 3/4	2 9/16	1 7/32	9/32	
24	2 1/2 3	ZRLA-7 24-*	SEE DRAWING BELOW			8	7	3 3/4	2 11/32	1 1/2	7/16
		ZRLA-8 24-*				8	7	4 1/2	2 11/32	1 1/2	7/16
C24	2 1/2	ZRLA-7 C24-*				8	7	3 3/4	2 27/32	1 1/2	7/16
	3	ZRLA-8 C24-*				8	7	4 1/2	2 27/32	1 1/2	7/16
28	2 1/2 3	ZRLA-7 28-*				8	7	3 3/4	2 3/2	1 1/2	7/16
		ZRLA-8 28-*				8	7	4 1/2	2 3/2	1 1/2	7/16
C28	2 1/2 3	ZRLA-7 C28-*				8	7	3 3/4	2 25/32	1 1/2	7/16
		ZRLA-8 C28-*				8	7	4 1/2	2 25/32	1 1/2	7/16

† Other Hub Sizes also available.

To specify receptacle with spring door cover change third letter in part number from "L" to "C".  
Example: ZRLA changes to ZRCA.

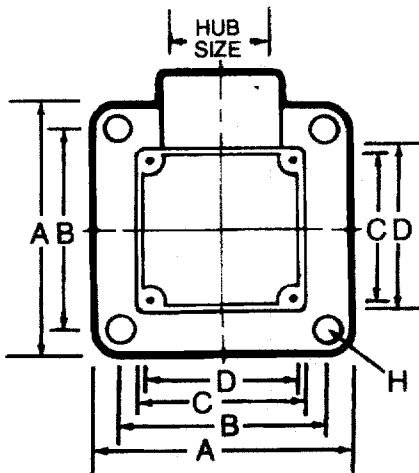


Hinged Spring Door

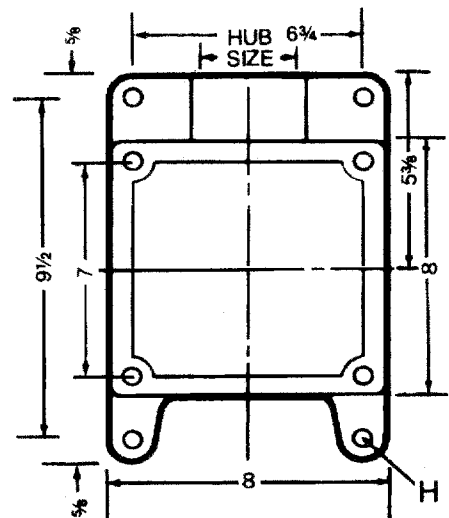
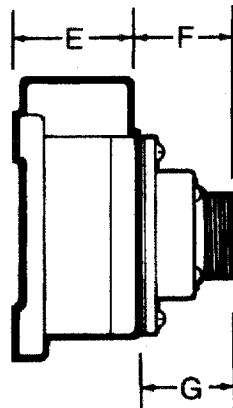
To specify receptacle with threaded environmental cover change third letter in part number from "L" to "E".  
Example: ZRLA changes to ZREA.



Threaded Environmental Cover with Sash Chain



SHELL SIZES 12-16-20-C20



SHELL SIZES 24-C24-28-C28