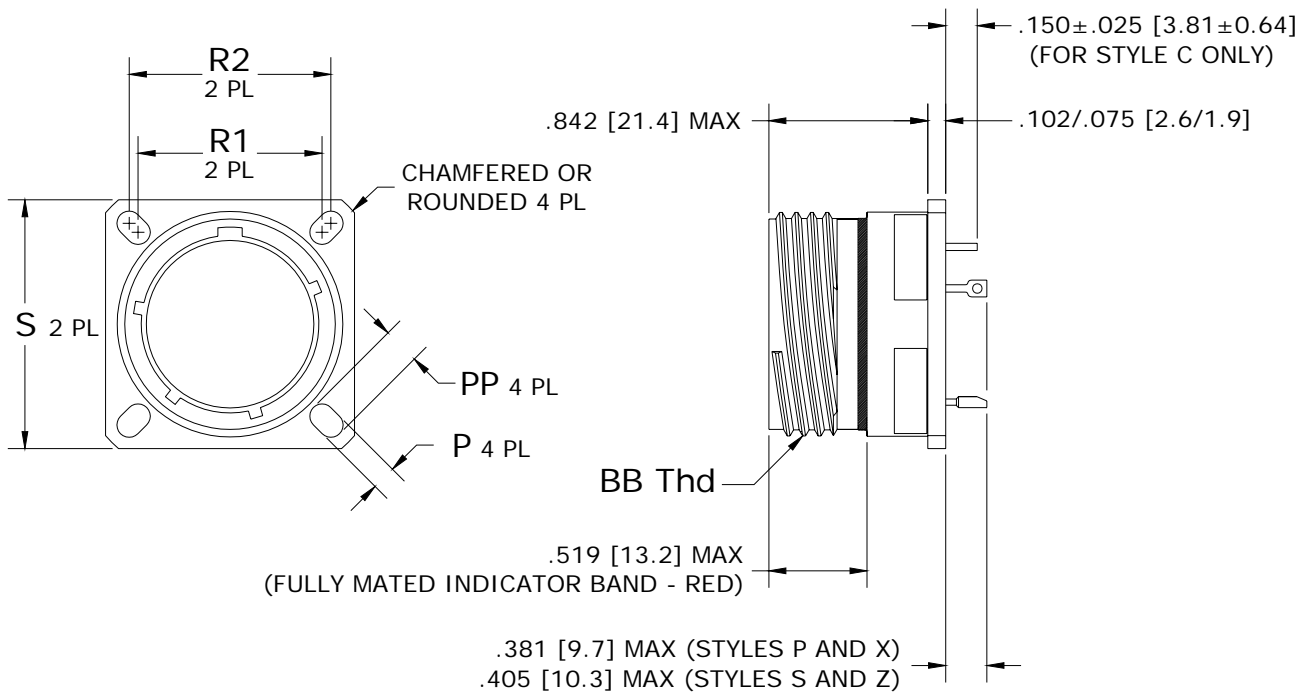


D38999/21

Square Flange Mount Hermetic Receptacle

MIL-DTL-38999

Series III – Threaded Coupling



SHELL SIZE	SHELL SIZE CODE	BB Thd CLASS 2A 0.1P-0.3L-TS	P ±.008 [±0.20]	PP ±.008 [±0.20]	R1 <1>	R2 <2>	S ±.012 [±0.3]
9	A	.6250	.128 [3.25]	.216 [5.49]	.719 [18.26]	.594 [15.09]	.938 [23.8]
11	B	.7500	.128 [3.25]	.194 [4.93]	.812 [20.62]	.719 [18.26]	1.031 [26.2]
13	C	.8750	.128 [3.25]	.194 [4.93]	.906 [23.01]	.812 [20.62]	1.125 [28.6]
15	D	1.0000	.128 [3.25]	.194 [4.93]	.969 [24.61]	.906 [23.01]	1.219 [31.0]
17	E	1.1875	.128 [3.25]	.194 [4.93]	1.062 [26.97]	.969 [24.61]	1.312 [33.3]
19	F	1.2500	.128 [3.25]	.194 [4.93]	1.156 [29.36]	1.062 [26.97]	1.438 [36.5]
21	G	1.3750	.128 [3.25]	.194 [4.93]	1.250 [31.75]	1.156 [29.36]	1.562 [39.7]
23	H	1.5000	.154 [3.91]	.242 [6.15]	1.375 [34.93]	1.250 [31.75]	1.688 [42.9]
25	J	1.6250	.154 [3.91]	.242 [6.15]	1.500 [38.10]	1.375 [34.93]	1.812 [46.0]

<1> = FRONT OR REAR PANEL MOUNTING
<2> = REAR PANEL MOUNTING ONLY

DIMENSIONS ARE IN INCHES [MILLIMETERS]