

1.9 GHz Patch Antenna for PCN

ANP-C-115

V3.00

Features

- Hemispherical/Omnidirectional
- Flat Configuration
- Rugged/Durable
- Low VSWR
- Circular Polarization Minimizes Multipath Effects

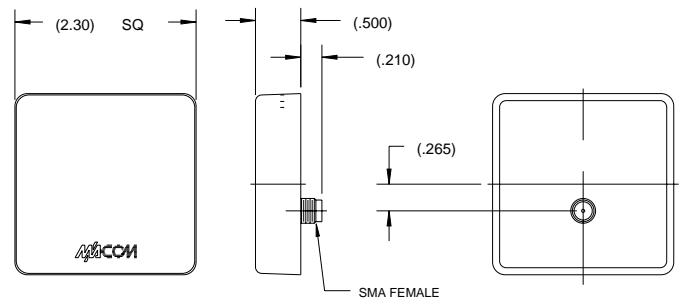
Description

The ANP-C-115 is a micropatch antenna that provides hemispherical coverage and that is circularly polarized to maximize immunity to fading in high multipath environments.

The design is simple, rugged, compact, and easily adapted to custom applications.

Specifications

Frequency Range	1850-1990 MHz
Peak Gain	+4 dBic Min
Polarization	Right Hand Circular
Nominal Impedance	50 Ohms
VSWR	2.0:1 Max
R. F. Power Handling	1 W Avg. Max 3 W Peak Max
Connector Type	SMA Female
Weight	1.5 oz Max



Specifications Subject to Change Without Notice

M/A-COM Inc.

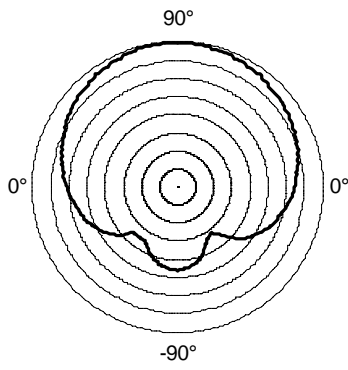
North America: Tel. (800) 366-2266
Fax (800) 618-8883

Asia/Pacific: Tel. +85 2 2111 8088
Fax +85 2 2111 8087

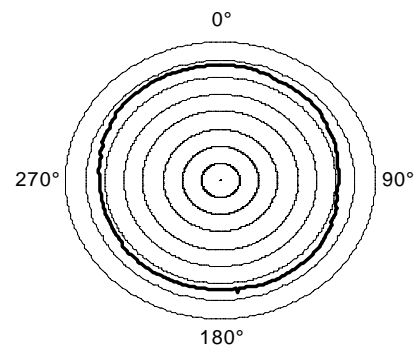
Europe: Tel. +44 (1344) 869-595
Fax +44 (1344) 300-020

Typical Electrical Performance

Elevation



Azimuth at 0°



Specifications Subject to Change Without Notice.

M/A-COM Inc.

North America: Tel. (800) 366-2266
Fax (800) 618-8883

♦ Asia/Pacific: Tel. +85 2 2111 8088
Fax +85 2 2111 8087

♦ Europe: Tel. +44 (1344) 869-595
Fax +44 (1344) 300-020