

PERFORMANCE PLASTIC PACKAGE ULTRA MINIATURE PURE SILICON™ CLOCK OSCILLATOR

ASEMP



Life Size
3.2 x 2.5 x 0.85 mm

ASEMP

RoHS
Compliant

FEATURES:

- Ultra Miniature Pure Silicon™ Clock Oscillator
- High Performance MEMS Technology by Discera
- Low Power Consumption for high speed communication
- Exceptional Stability Over Temp. at -40 to +85°C, ±15ppm
- Extended Automotive Grade Temp. stability at -55 to +125°C, ±25ppm
- Available in 50kG Shock Resistance Configuration upon request
- MIL-STD-883 shock and vibration compliant
- Durable QFN Plastic Compact Packaging
- Standby or Disable Tri-state function
- Low jitter (Period jitter RMS and Phase jitter RMS)
- High power supply noise reduction, -50dBc

APPLICATIONS:

- Storage Area Networks (SATA, SAS, Fiber Channel)
- Passive Optical Networks (EPON, 10G-EPON, GPON, 10G-PON)
- Ethernet (1G, 10GBASE-T/KR/LR/SR, FCoE)
- HD/SD/SDI Video & Surveillance
- PCI Express
- Display port

Low Jitter
High Performance
3G MEMS Technology!

STANDARD SPECIFICATIONS:

Common Key Electrical Specifications – CMOS, LVPECL, LVDS, and HCSL

Parameters		Minimum	Typical	Maximum	Units	Notes
Frequency Range	CMOS	10.000	----	170.000	MHz	Commercial, Industrial Temp range
	CMOS	10.000	----	100.000		Automotive -55 ~ +125°C
	LVPECL	10.000	----	425.000		Commercial, Industrial Temp range
	LVDS	10.000	----	425.000		Commercial, Industrial Temp range
	HCSL	10.000	----	425.000		Commercial, Industrial Temp range
Operating Temperature		-20	----	+70	°C	See options
Storage Temperature		-55	----	+150	°C	
Overall Frequency Stability*		-50	----	+50	ppm	See options
Supply Voltage (V _{dd})		+2.25	----	+3.6	V	
Startup Time		----	----	10	ms	
Enable Time		----	----	0.005	ms	STD (Tri-state)
		----	----	10.0		PD option (Power Down)
Disable Time		----	----	100	ns	
Stand-by Current		----	20	26	mA	STD (Tri-state)
Disable Current		----	----	0.1		PD option (Power Down)
Tri-state Function (Standby/Disable)		"1" (VIH ≥ 0.75*V _{dd}) or Open: Oscillation "0" (VIL < 0.25*V _{dd}) : Hi Z			V	33kΩ pull-up resistor embedded
Aging		-5.0	----	+5.0	ppm	First year

Key Electrical Specifications – CMOS

Parameters		Minimum	Typical	Maximum	Units	Notes
Supply Current (I _{dd})		----	31	35	mA	CL=15p, 125MHz
Output Logic Level	V _{OH}	0.9*V _{dd}	----	----	V	I=±6mA
	V _{OL}	----	----	0.1*V _{dd}	V	
Rise Time	T _r	----	1.1	2.0	ns	CL=15pF
Fall Time	T _f	----	1.3	2.0	ns	20%/80%*VDD
Duty Cycle		45	----	55	%	
Spurious Level				-50	dBc	Reference to carrier
Integrated Phase Jitter (J _{PH})		----	0.35	3	ps	200kHz ~ 20MHz, 125MHz
		----	0.5	3		100kHz ~ 20MHz, 125MHz
		----	1.8	3		12kHz ~ 20MHz, 125MHz
Period Jitter RMS (J _{PER})		----	4.3	----	ps	CL=2pF, 125MHz
		----	6	----		CL=15pF, 125MHz

ABRACON IS
ISO9001:2008
CERTIFIED



Visit www.abracon.com for Terms & Conditions of Sale **Revised: 04.28.11**
30332 Esperanza, Rancho Santa Margarita, California 92688
tel 949-546-8000 | fax 949-546-8001 | www.abracon.com

PERFORMANCE PLASTIC PACKAGE ULTRA MINIATURE PURE SILICON™ CLOCK OSCILLATOR

ASEMP



Life Size 
3.2 x 2.5 x 0.85 mm

ASEMP



RoHS
Compliant

Key Electrical Specifications – LVPECL

Parameters		Minimum	Typical	Maximum	Units	Notes
Supply Current (I_{dd})		-----	51	60	mA	RL=50Ω, 156.25MHz
Output Logic Level	V_{OH}	$V_{dd}-1.08$	-----	-----	V	RL=50Ω, 156.25MHz
	V_{OL}	-----	-----	$V_{dd}-1.55$	V	
Peak to Peak Output Swing (V_{pp})			830		mV	Single ended
Rise Time	T_r	-----	250		ps	RL=50Ω, CL=2pF 20%/80%*VDD
Fall Time	T_f	-----	250			
Duty Cycle		48	-----	52	%	Differential
Spurious Level				-50	dBc	Reference to carrier
Integrated Phase Jitter (J_{PH})		-----	0.35	3	ps	200kHz ~ 20MHz, 156.25MHz
		-----	0.5	3		100kHz ~ 20MHz, 156.25MHz
		-----	1.8	3		12kHz ~ 20MHz, 156.25MHz
Period Jitter RMS (J_{PER})		-----	3.3	-----	ps	RL=50Ω, 156.25MHz

Key Electrical Specifications – LVDS

Parameters		Minimum	Typical	Maximum	Units	Notes
Supply Current (I_{dd})		-----	29	40	mA	RL=50Ω, 156.25MHz
Output Offset Voltage (V_{OS})		1.125	-----	1.4	V	RL=100Ω differential
Delta Offset Voltage (ΔV_{OS})						
Output Logic Level	V_{OH}	$V_{dd}-1.08$	-----	-----	V	RL=50Ω, 156.25MHz
	V_{OL}	-----	-----	$V_{dd}-1.55$	V	
Peak to Peak Output Swing (V_{pp})			350		mV	Single ended
Rise Time	T_r	-----	300		ps	RL=50Ω, CL=2pF 20%/80%*VDD
Fall Time	T_f	-----	300			
Duty Cycle		45	-----	55	%	Differential
Spurious Level				-50	dBc	Reference to carrier
Integrated Phase Jitter (J_{PH})		-----	0.43	3	ps	200kHz ~ 20MHz, 156.25MHz
		-----	0.55	3		100kHz ~ 20MHz, 156.25MHz
		-----	1.8	3		12kHz ~ 20MHz, 156.25MHz
Period Jitter RMS (J_{PER})		-----	3.3	-----	ps	RL=50Ω, 156.25MHz

Key Electrical Specifications – HCSL

Parameters		Minimum	Typical	Maximum	Units	Notes
Supply Current (I_{dd})		-----	40	60	mA	RL=50Ω, 156.25MHz
Output Logic Level	V_{OH}	0.725	-----	-----	V	RL=50Ω, 156.25MHz
	V_{OL}	-----	-----	0.1	V	
Peak to Peak Output Swing (V_{pp})			675		mV	Single ended
Rise Time	T_r	-----	250		ps	RL=50Ω, CL=2pF 20%/80%*VDD
Fall Time	T_f	-----	250			
Duty Cycle		45	-----	55	%	Differential
Spurious Level				-50	dBc	Reference to carrier
Integrated Phase Jitter (J_{PH})		-----	0.3	3	ps	200kHz ~ 20MHz, 156.25MHz
		-----	0.45	3		100kHz ~ 20MHz, 156.25MHz
		-----	1.9	3		12kHz ~ 20MHz, 156.25MHz
Period Jitter RMS (J_{PER})		-----	2.8	-----	ps	RL=50Ω, 156.25MHz

ABRACON IS
ISO9001:2008
CERTIFIED



ABRACON
CORPORATION

Visit www.abracon.com for Terms & Conditions of Sale **Revised: 04.28.11**
30332 Esperanza, Rancho Santa Margarita, California 92688
tel 949-546-8000 | fax 949-546-8001 | www.abracon.com

PERFORMANCE PLASTIC PACKAGE ULTRA MINIATURE PURE SILICON™ CLOCK OSCILLATOR

ASEMP



Life Size 3.2 x 2.5 x 0.85 mm

ASEMP



Absolute Maximum Ratings

Item	Minimum	Maximum	Unit	Condition
Supply Voltage	-0.3	+4.0	V	
Input Voltage	-0.3	Vdd+0.3	V	
Junction Temp.	-----	+150	°C	
Storage Temp.	-55	+150	°C	
Soldering Temp.	-----	+260	°C	40sec max
ESD			V	
HBM		4,000		
MM		200		
CDM		1,500		

OPTIONS AND PART IDENTIFICATION: (Left Blank if Standard)

Programmed Orders (Quantity > 1,000pcs)

ASEMP - MHz - - -

Output Type	Frequency in MHz	Operating Temp.	Overall Freq. Stability	Tri-state (Pin 1)	Packaging
C: CMOS	e.g. 156.2500 MHz (Maximum 4 digits after decimal)	Blank: -20°C ~ +70°C	Blank: ±50ppm	Blank: Tri-state	Blank: Tube (110pcs / Tube)
LP: LVPECL		L: -40°C ~ +85°C	Y: ±10ppm*	PD: Power Down	T: Tape & Reel (1kpcs / reel)
LV: LVDS		X: -40°C ~ +105°C	R: ±25 ppm		
HC: HCSL		Z: -55°C ~ +125°C			

*-20°C ~ +70°C, option L, or X only.

Un-Programmed Orders

Blank un-programmed oscillators and our low cost portable programmer are available for quick turn engineering requirements. Please call ABRACON or visit MEMSpeed Pro II site <http://www.abracon.com/memspeedpro/MEMSpeedProFlyerII.pdf> for more information.

ASEMP - BLANK - -

Output Type	Operating Temp.	Overall Freq. Stability	Packaging
C: CMOS	Blank: -20°C ~ +70°C	Blank: ±50ppm	Blank: Tube (110pcs / Tube)
LP: LVPECL	L: -40°C ~ +85°C	Y: ±10ppm*	T: Tape & Reel (1kpcs / reel)
LV: LVDS	X: -40°C ~ +105°C	R: ±25 ppm	
HC: HCSL	Z: -55°C ~ +125°C		

*-20°C ~ +70°C, option L, or X only.

ABRACON IS
ISO9001:2008
CERTIFIED



Visit www.abracon.com for Terms & Conditions of Sale **Revised: 04.28.11**
30332 Esperanza, Rancho Santa Margarita, California 92688
tel 949-546-8000 | fax 949-546-8001 | www.abracon.com

PERFORMANCE PLASTIC PACKAGE ULTRA MINIATURE PURE SILICON™ CLOCK OSCILLATOR

ASEMP



Life Size
3.2 x 2.5 x 0.85 mm

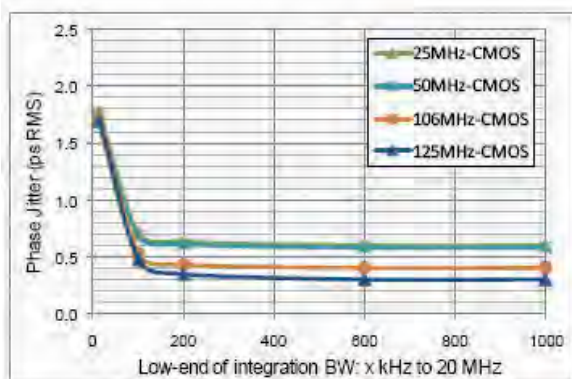
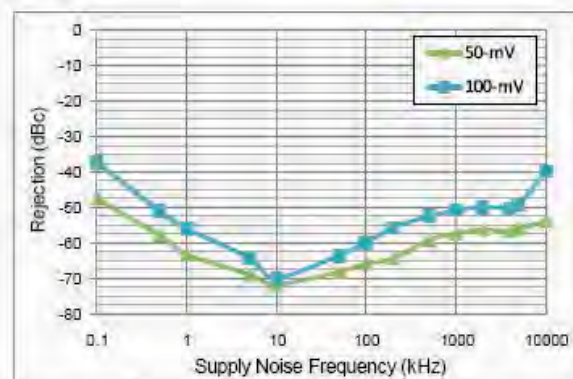
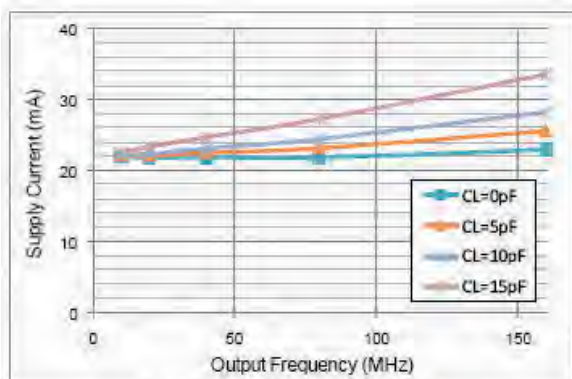
ASEMP

RoHS
Compliant

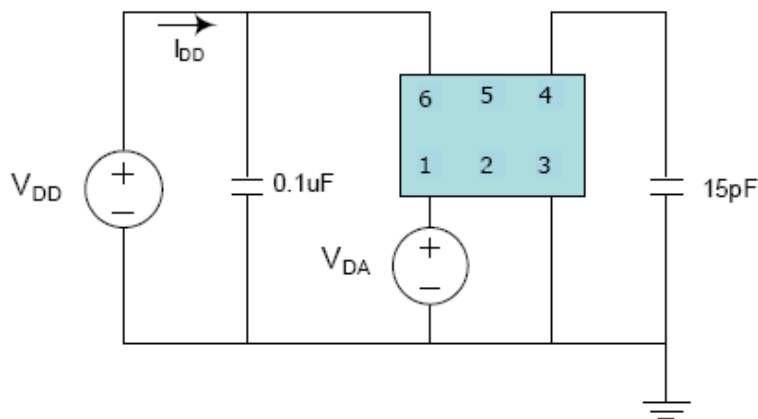
NOMINAL PERFORMANCE PARAMETERS

(Unless specified otherwise: T=25° C, VDD=3.3 V)

CMOS OUTPUT



Test Circuit



ABRACON IS
ISO9001:2008
CERTIFIED

ABRACON
CORPORATION

Visit www.abracon.com for Terms & Conditions of Sale **Revised: 04.28.11**
30332 Esperanza, Rancho Santa Margarita, California 92688
tel 949-546-8000 | fax 949-546-8001 | www.abracon.com

PERFORMANCE PLASTIC PACKAGE ULTRA MINIATURE PURE SILICON™ CLOCK OSCILLATOR

ASEMP



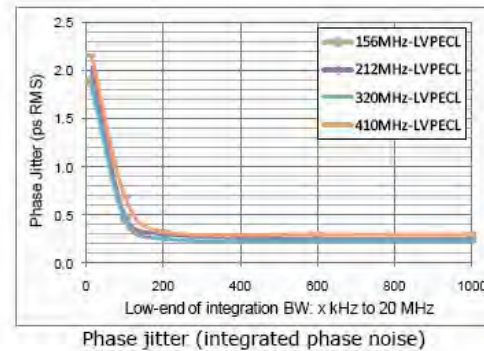
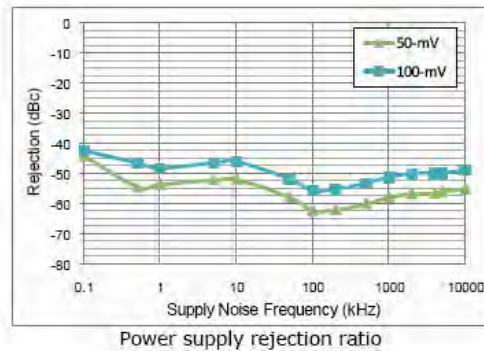
Life Size 
3.2 x 2.5 x 0.85 mm

ASEMP

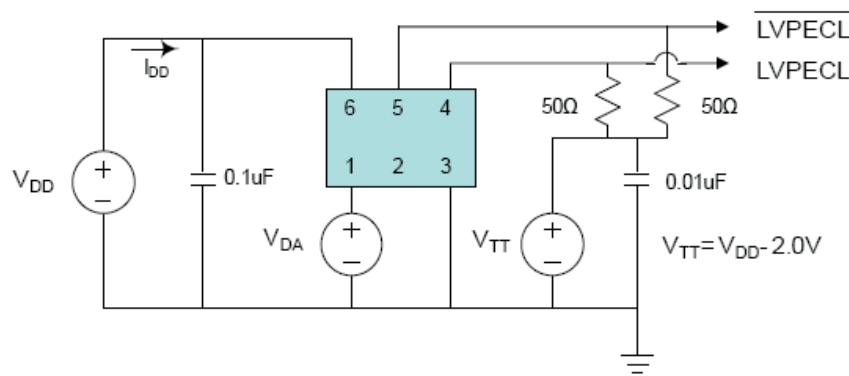


RoHS
Compliant

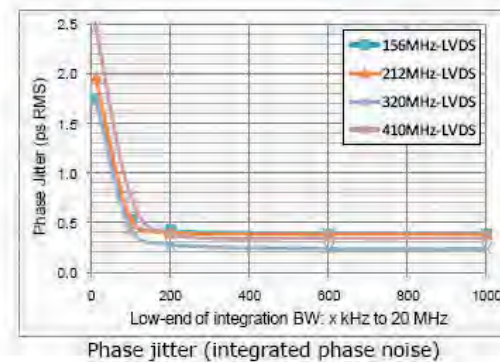
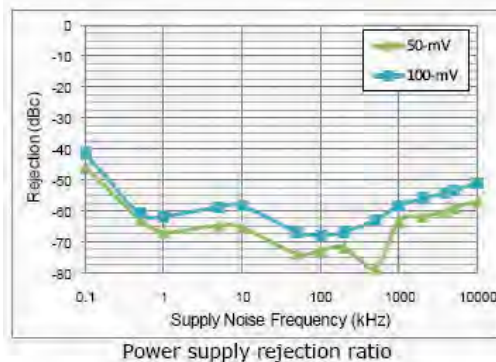
LVPECL OUTPUT



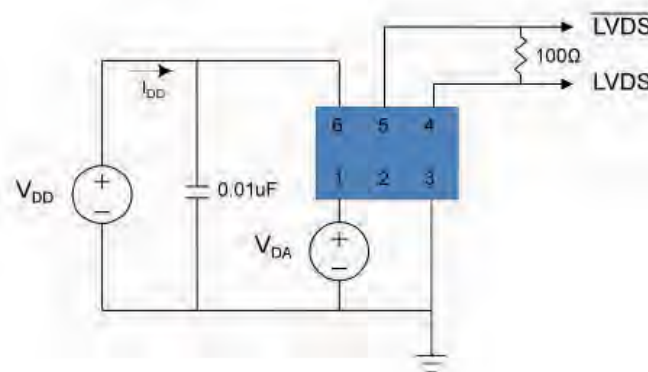
Test Circuit



LVDS OUTPUT



Test Circuit



ABRACON IS
ISO9001:2008
CERTIFIED



Visit www.abracon.com for Terms & Conditions of Sale **Revised: 04.28.11**
30332 Esperanza, Rancho Santa Margarita, California 92688
tel 949-546-8000 | fax 949-546-8001 | www.abracon.com

PERFORMANCE PLASTIC PACKAGE ULTRA MINIATURE PURE SILICON™ CLOCK OSCILLATOR

ASEMP



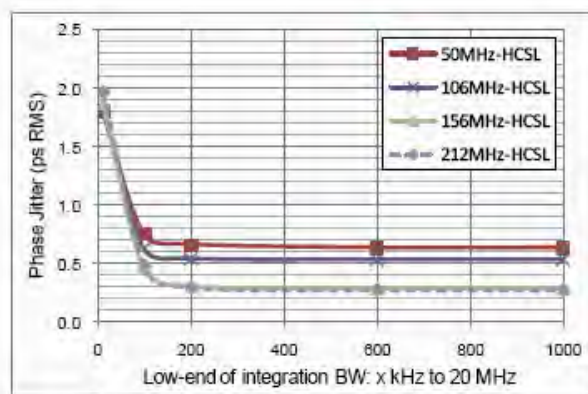
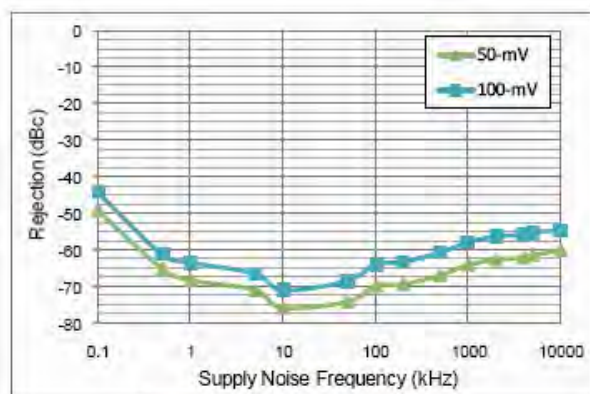
Life Size
3.2 x 2.5 x 0.85 mm

ASEMP

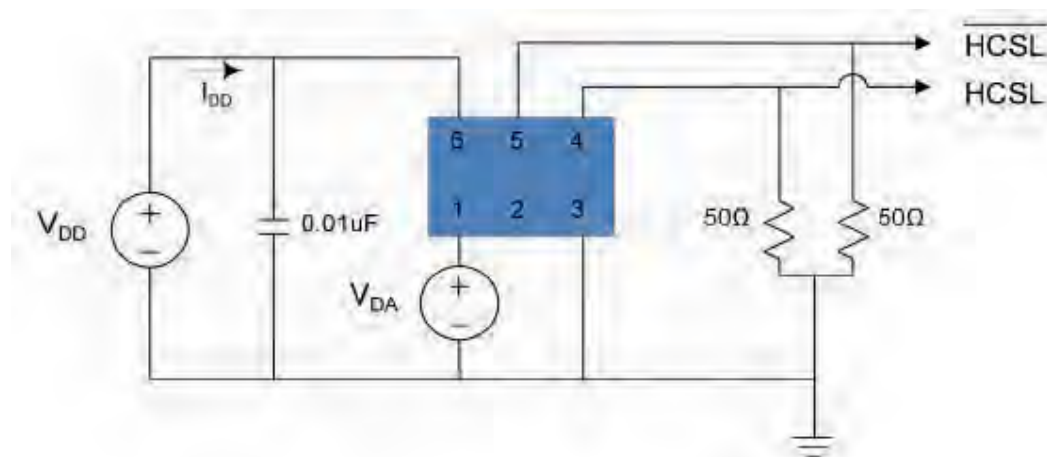


RoHS
Compliant

HCSL OUTPUT



Test Circuit



ABRACON IS
ISO9001:2008
CERTIFIED



ABRACON
CORPORATION

Visit www.abracon.com for Terms & Conditions of Sale **Revised: 04.28.11**
30332 Esperanza, Rancho Santa Margarita, California 92688
tel 949-546-8000 | fax 949-546-8001 | www.abracon.com

PERFORMANCE PLASTIC PACKAGE ULTRA MINIATURE PURE SILICON™ CLOCK OSCILLATOR

ASEMP

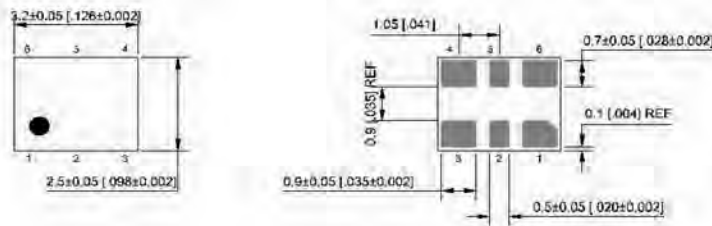


Life Size
 3.2 x 2.5 x 0.85 mm

ASEMP

RoHS
Compliant

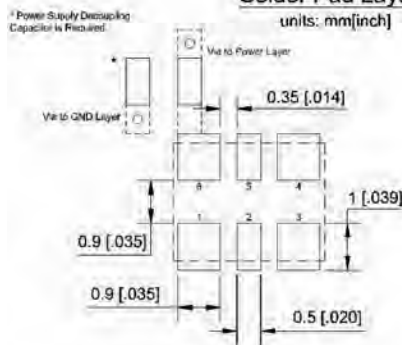
OUTLINE DIMENSIONS:



No.	Pin terminal
1	Enable
2	nc
3	GND
4	Output
5	Output
6	VDD

Recommended Solder Pad Layout

units: mm[inch]

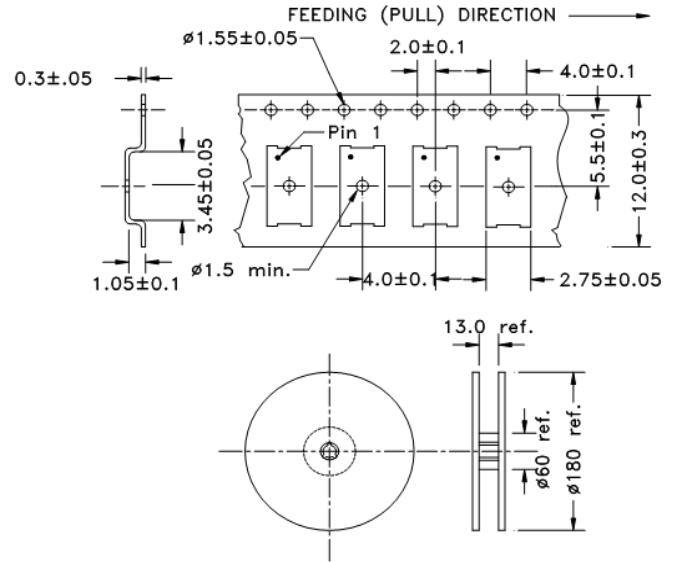


Note: Recommend using an approximately 0.01µF bypass capacitor between PIN 6 and 3.

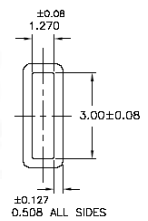
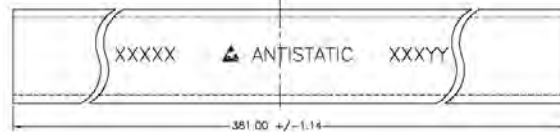
Dimensions: mm (inches)

TAPE AND REEL:

T= Tape and reel (1,000pcs/reel)



Tube: 110 pcs/tube

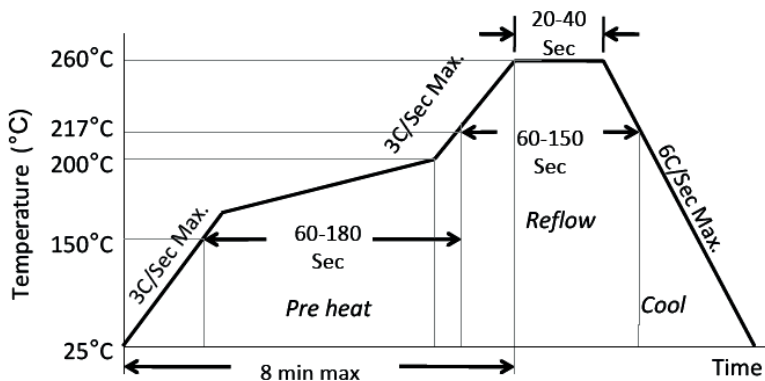


Unit orientation in tube:



Dimensions: mm

REFLOW PROFILE:



Ramp-Up Rate (200°C to Peak Temp)	3°C/Sec Max.
Preheat Time 150°C to 200°C	60-180 Sec
Time maintained above 217°C	60-150 Sec
Peak Temperature	255-260°C
Time within 5°C of actual Peak	20-40 Sec
Ramp-Down Rate	6°C/Sec Max.
Time 25°C to Peak Temperature	8 min Max.

ATTENTION: Abracon Corporation's products are COTS – Commercial-Off-The-Shelf products; suitable for Commercial, Industrial and, where designated, Automotive Applications. Abracon's products are not specifically designed for Military, Aviation, Aerospace, Life-dependant Medical applications or any application requiring high reliability where component failure could result in loss of life and/or property. For applications requiring high reliability and/or presenting an extreme operating environment, written consent and authorization from Abracon Corporation is required. Please contact Abracon Corporation for more information.

ABRACON IS
ISO9001:2008
CERTIFIED



ABRACON
CORPORATION

Visit www.abracon.com for Terms & Conditions of Sale **Revised: 04.28.11**
30332 Esperanza, Rancho Santa Margarita, California 92688
tel 949-546-8000 | fax 949-546-8001 | www.abracon.com