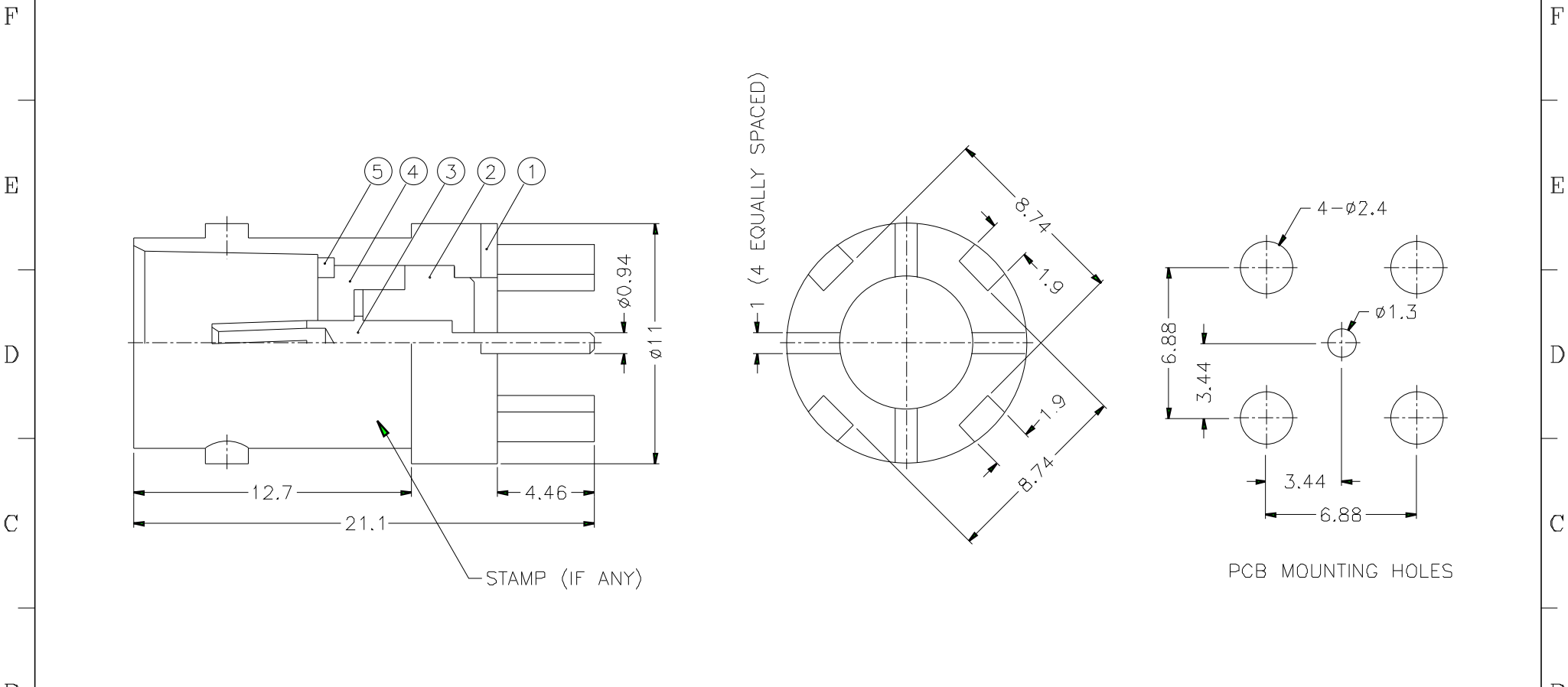


1			2			3			4			5			6			7			8		
REVISIONS																							
ISS	ZONE	DESCRIPTION\PER REQUEST\DATE																					



NOTES: FINISH (PLATING THICKNESS IN MICRO-INCHES)
 1. BRASS PER QQ-B-626
 2. BRASS PER QQ-B-613
 3. NICKEL PL. 100 MIN. THICK OVER COPPER STRIKE
 4. PHOSPHOR BRONZE PER QQ-B-750
 5. GOLD PL. 3 MIN. THICK OVER NICKEL PL. 100 MIN THICK OVER COPPER STRIKE

DIMENSIONS ARE IN MILLIMETERS									
UNLESS OTHERWISE SPECIFIED TOLERANCES									
0.5-6 = ± 0.2									
6-30 = ± 0.4									
30-120 = ± 0.6									
120-315 = ± 1									
315-1000 = ± 1.6									
1000-2000 = ± 2.4									

PART NO		B6251D1-NPB3G-75	
APPROVED	DATE	10-11-01'	
CHECKED	DATE	10-11-01'	
DRAWN	DATE	10-11-01'	
FILE NO.			

Amphenol	
TITLE	BNC P.C. MOUNT RECEPT. JACK
DRAWING NO.	KJ-B6251D1-NPB3G-75
ITEM NO.	

5	LOCK RING	NOTE 2	NOTE 3	1	B7700-4
4	INSULATOR	PBT	WHITE	1	B7703-4-75
3	CONTACT PIN	NOTE 4	NOTE 5	1	B7703-3
2	INSULATOR	PBT	WHITE	1	B7703-2-50
1	BODY	NOTE 1	NOTE 3	1	B7703-1-A
NO.	DESCRIPTION	MATERIAL	FINISH	Q'TY	DRAWING NO.

1			2			3			4			5			6			7			8		
---	--	--	---	--	--	---	--	--	---	--	--	---	--	--	---	--	--	---	--	--	---	--	--