

**MICROSWITCH**  
a Honeywell Division

**SWITCH - ENCLOSED**

**BZE6-2RN-F1**

CATALOG LISTING

FED. MFG. CODE 91929

CATALOG LISTING  
**BZE6-2RN-F1**

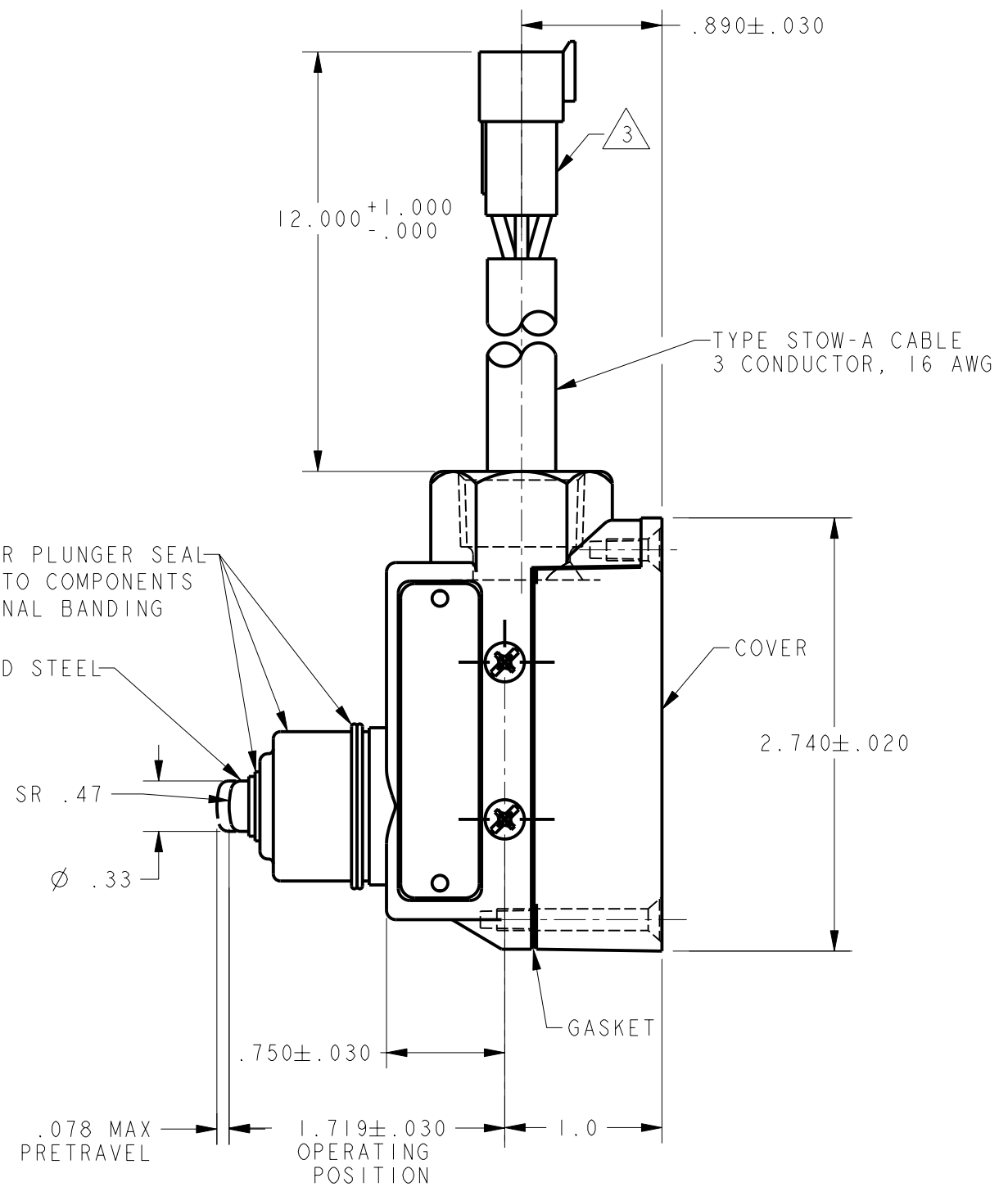
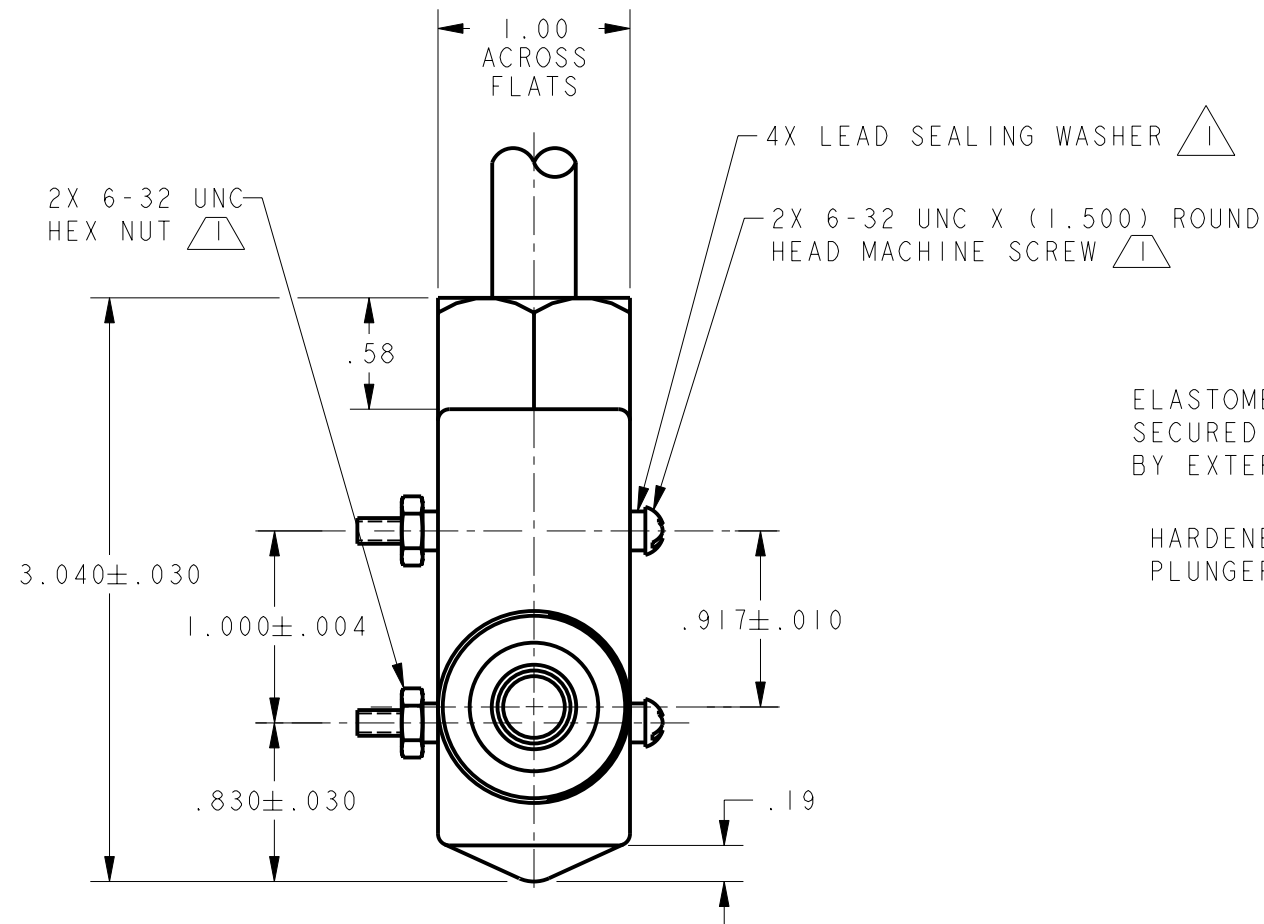
PAGE 1 OF 1

ISSUE **2**

REVISIONS  
A PR-24431  
TSM  
22FEB00

PTC/CAD 2D  
DRAWN WJC 3 NOV 99

REPLACES RELEASE NO. PR-24431  
CHECK 22FEB00  
CHECK SAV



NOTES  
 (1) FURNISHED UNASSEMBLED  
 (2) SWITCH CAVITY FULLY POTTED  
 (3) DEUTSCH CONNECTOR CONSISTS OF :  
 THREE PIN RECEPTACLE - DT04-3P-E003  
 RECEPTACLE WEDGE - W3P  
 THREE PIN CONTACTS - 0460-202-16141

| LEAD COLOR | SWITCH TERMINAL | CONNECTOR TERMINAL |
|------------|-----------------|--------------------|
| RED        | NC              | A                  |
| BLACK      | COM             | C                  |
| WHITE      | NO              | B                  |

THIS DRAWING COVERS A PROPRIETARY ITEM AND IS THE PROPERTY OF MICRO SWITCH, A DIVISION OF HONEYWELL. THIS DRAWING IS NOT TO BE COPIED OR USED WITHOUT THE APPROVAL OF MICRO SWITCH

| CHARACTERISTICS                    | ELECTRICAL DATA                            |
|------------------------------------|--|
| OPERATING FORCE ----- 15-39 OZ     | CONTACT ARRANGEMENT<br>S P D T             |
| RELEASE FORCE ----- 10 OZ MIN      | L270 10A 125, 250 OR 480 VAC<br>2A 600 VAC |
| DIFFERENTIAL TRAVEL ----- .002 MAX | 1/8HP 125 VAC, 1/4HP 250 VAC               |
| OVERTRAVEL ----- .219 MIN          | 1/2A 125 VDC, 1/4A 250 VDC                 |

| SCALE                                     | THIRD ANGLE PROJECTION   |
|---|--------------------------|
| FULL                                      |                          |
| DO NOT SCALE PRINT                        |                          |
| UNLESS OTHERWISE SPECIFIED TOLERANCES ARE |                          |
| ONE PLACE (.0) ± .030                     |                          |
| TWO PLACE (.00) ± .015                    |                          |
| THREE PLACE (.000) ± .005                 |                          |
| ANGLES ±                                  |                          |
| WEIGHT                                    | ANSI Y14.5M-1982 APPLIES |

