

MICRO SWITCH
a Honeywell Division
FED. MFG. CODE 91928

SWITCH - ENCLOSED

CATALOG LISTING
BZE6-2RN-F3

M BZE6-2RN-F3

DRAWING NUMBER

ISSUE 4

REPLACES

REVISIONS

CHECK

21NOV05

RJ

CHECK

17 OCT 91

DRAWN

SAV

RASTER

RELEASE NO. PR-19438

CHECK

CHECK

RJ

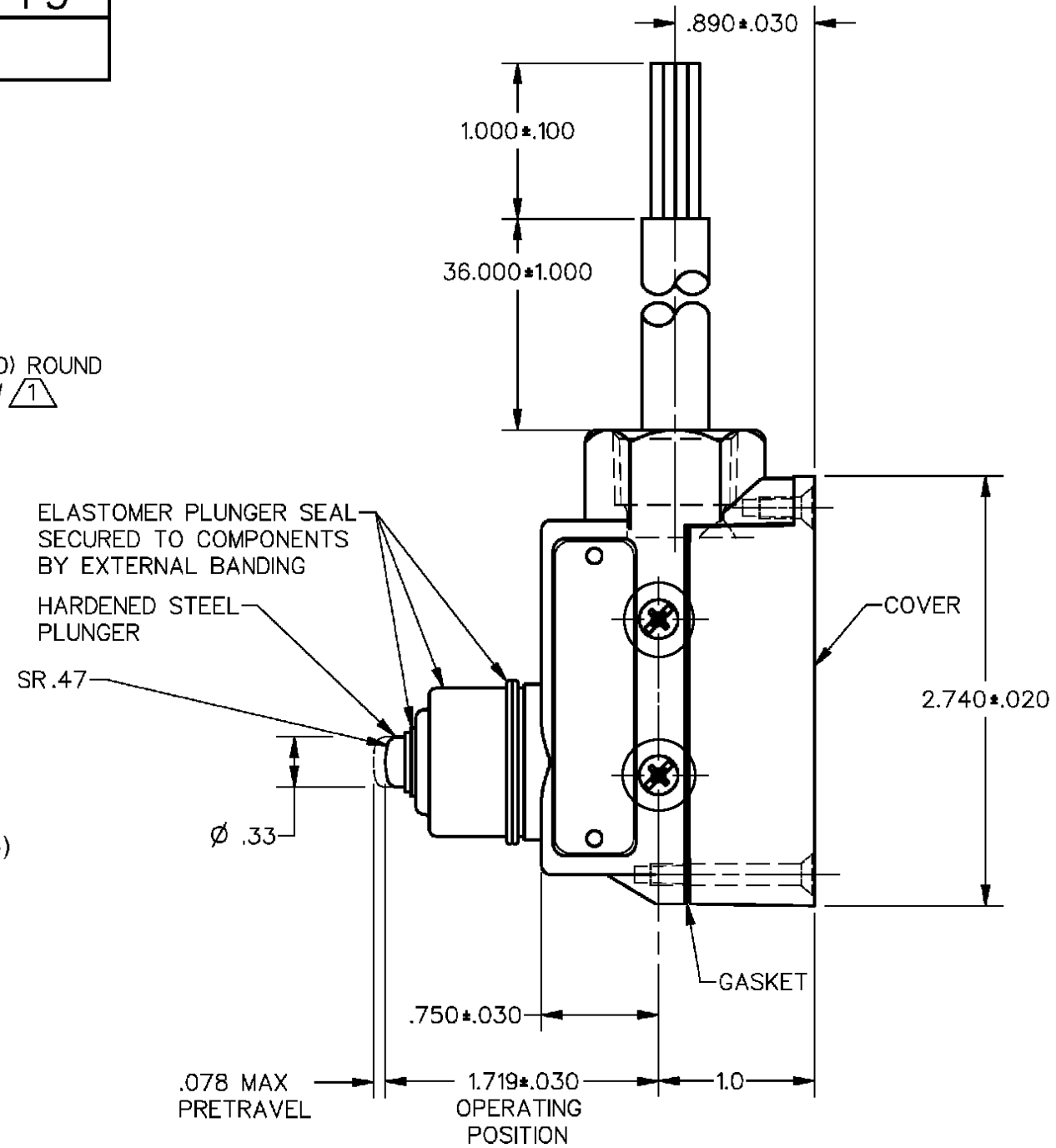
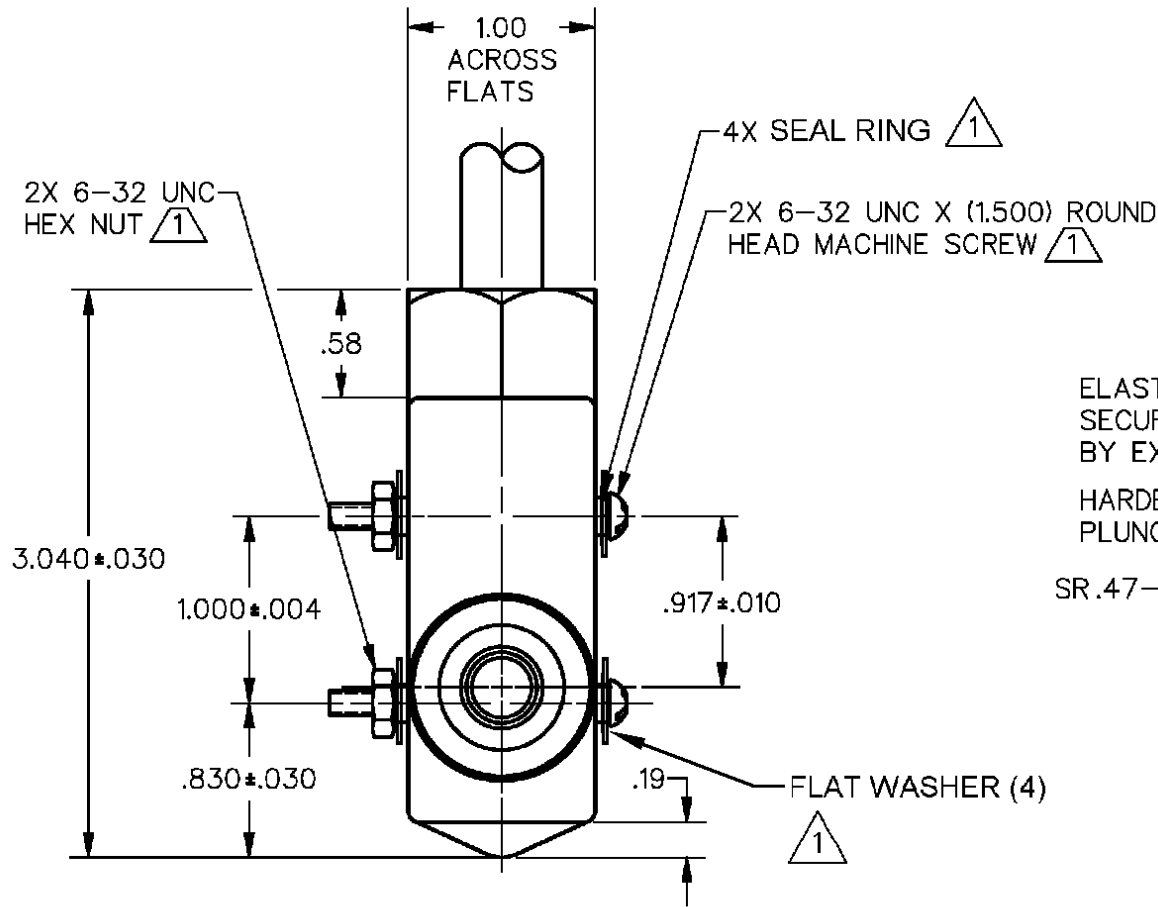
CHECK

17 OCT 91

DRAWN

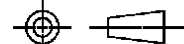
SAV

RASTER



THIS DRAWING COVERS A PROPRIETARY ITEM AND IS THE PROPERTY OF MICRO SWITCH, A DIVISION OF HONEYWELL. THIS DRAWING IS NOT TO BE COPIED OR USED WITHOUT THE APPROVAL OF MICRO SWITCH

THIRD ANGLE PROJECTION



SCALE FULL

DO NOT SCALE PRINT

UNLESS OTHERWISE SPECIFIED TOLERANCES ARE

ONE PLACE (.0) ±.030
TWO PLACE (.00) ±.015
THREE PLACE (.000) ±.005
ANGLES ±

WEIGHT

CHARACTERISTICS

OPERATING FORCE ———— 15-39 OZ
RELEASE FORCE ———— 10 OZ MIN
DIFFERENTIAL TRAVEL ——— .002 MAX
OVERTRAVEL ———— .219 MIN

ELECTRICAL DATA

CONTACT ARRANGEMENT
S P D T

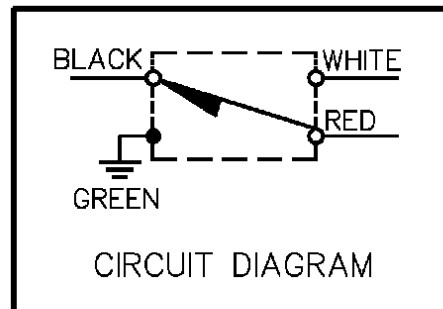
L270 10A 125, 250 OR 480 VAC
2A 600 VAC
1/8HP 125 VAC, 1/4HP 250 VAC
1/2A 125 VDC, 1/4A 250 VDC



1.5A, 240 Vac

NOTE

- ① FURNISHED UNASSEMBLED
- ② - SWITCH CAVITY FULLY POTTED
- ③ - SEAL RATING: NEMA 1, 3, 4, 12, 13 IP56



ANSI Y14.5M-1982 APPLIES