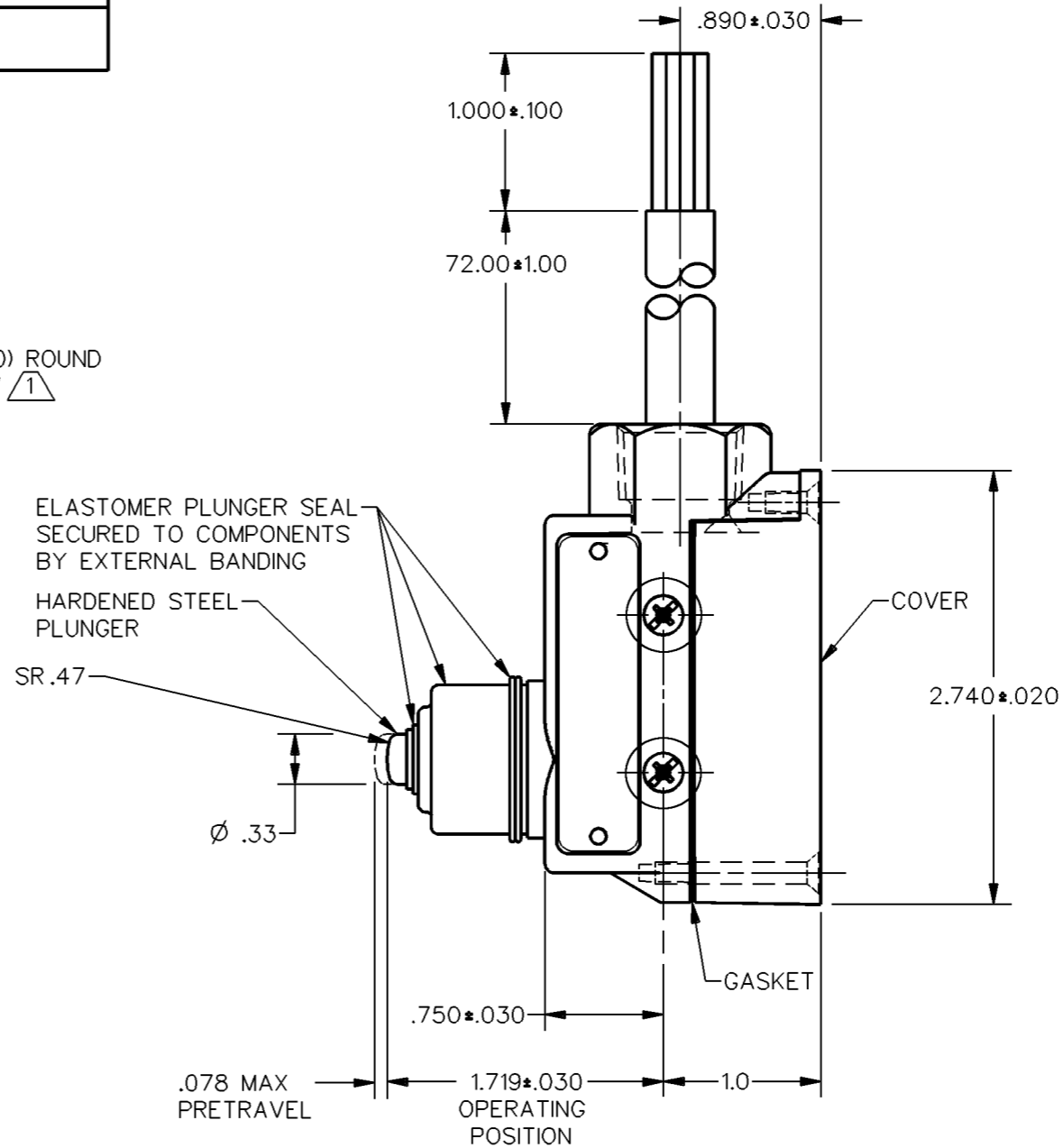
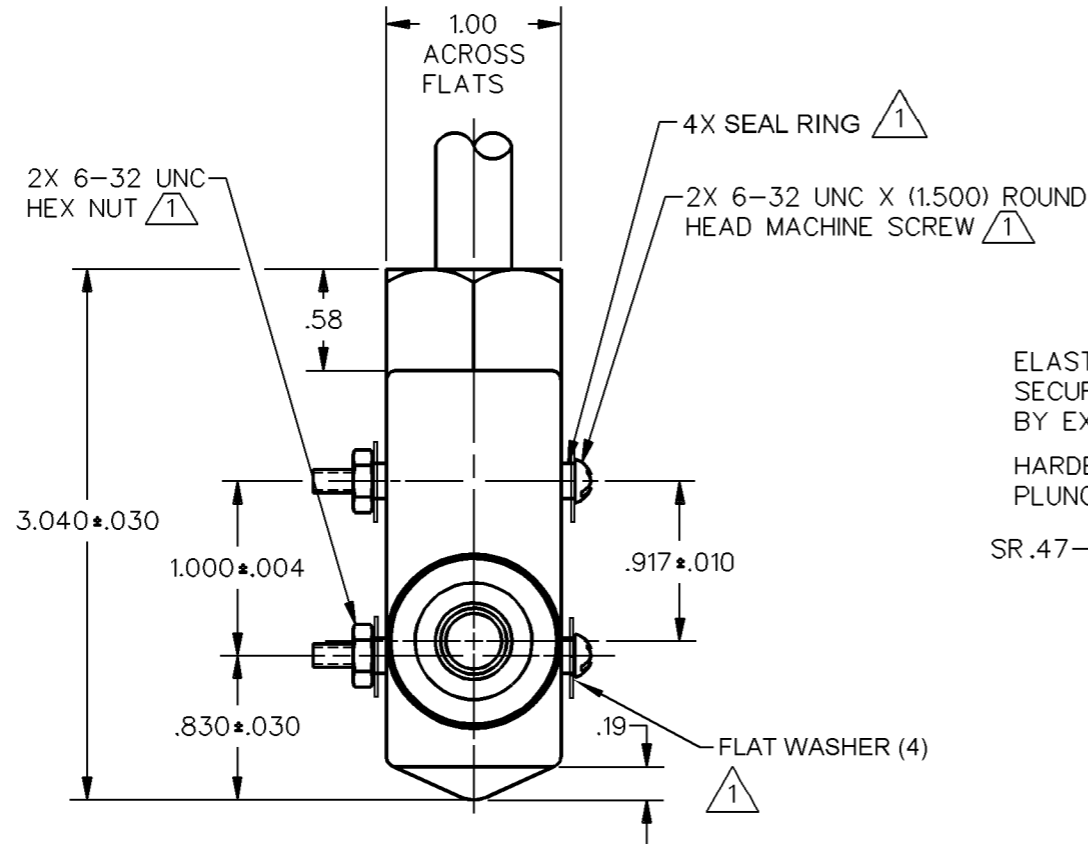


MICRO SWITCH
a Honeywell Division
FED. MFG. CODE 91929

SWITCH - ENCLOSED

CATALOG LISTING
BZE6-2RN-F6

M BZE6-2RN-F6
 DRAWING NUMBER
 ISSUE 4
 REVISIONS
 A 73655 S M 22 APR 93
 B 75965 TSM 19 AUG 93
 C 0017273 KSD 23 NOV 05
 CHECK
 23 NOV 05
 RJ
 CHECK
 22 FEB 92
 S A V
 DRAWN
 RASTER



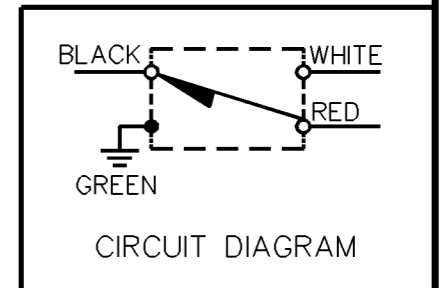
NOTE
 (1) FURNISHED UNASSEMBLED
 2 - SWITCH CAVITY FULLY POTTED
 3 - SEAL RATING: NEMA 1, 3, 4, 12, 13 IP 56

THIS DRAWING COVERS A PROPRIETARY ITEM AND IS THE PROPERTY OF MICRO SWITCH, A DIVISION OF HONEYWELL. THIS DRAWING IS NOT TO BE COPIED OR USED WITHOUT THE APPROVAL OF MICRO SWITCH

CHARACTERISTICS	
OPERATING FORCE	15-39 OZ
RELEASE FORCE	10 OZ MIN
DIFFERENTIAL TRAVEL	.002 MAX
OVERTRAVEL	.219 MIN

ELECTRICAL DATA	
CONTACT ARRANGEMENT S P D T	
L270 10A 125, 250 OR 480 VAC 2A 600 VAC 1/8HP 125 VAC, 1/4HP 250 VAC 1/2A 125 VDC, 1/4A 250 VDC	
1.5A, 240 Vac	

THIRD ANGLE PROJECTION	
SCALE	FULL
DO NOT SCALE PRINT	
UNLESS OTHERWISE SPECIFIED TOLERANCES ARE	
ONE PLACE	(.0) ± .030
TWO PLACE	(.00) ± .015
THREE PLACE	(.000) ± .005
ANGLES	±
WEIGHT	



ANSI Y14.5M-1982 APPLIES