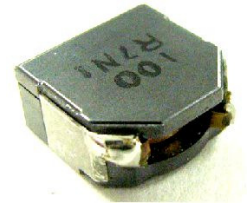
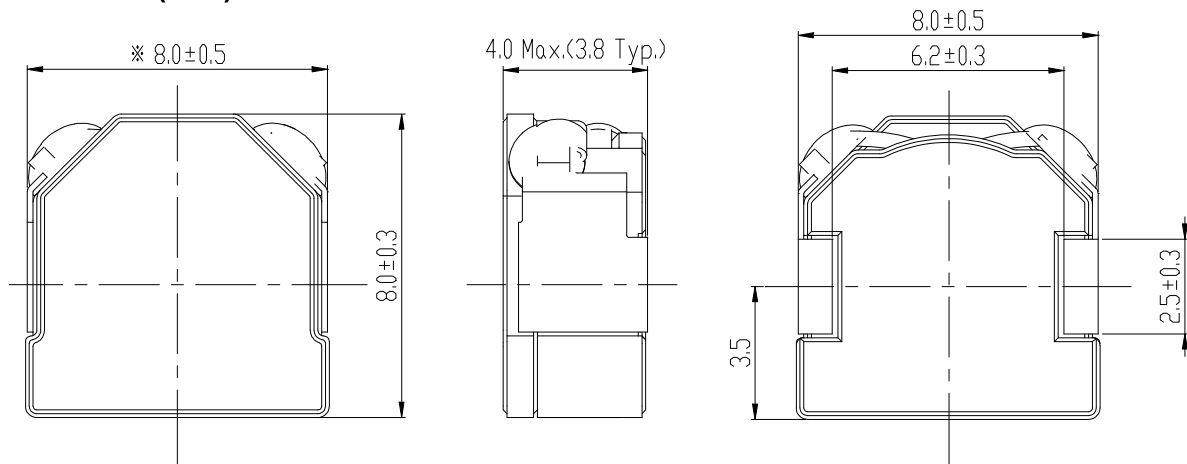
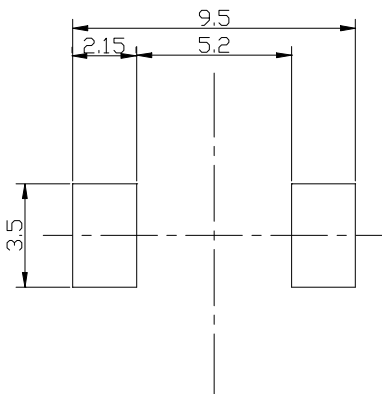


Type: CDEIR8D38F
◆ Product Description

- 8.5×8.3mm Max.(L×W), 4.0mm Max. Height.
- Inductance range: 4.0~22.0μH.
- Rated current range: 2.2~4.8A.
- Custom design is available.


◆ Feature

- Magnetically shielded construction.
- Low DCR, flat wire used.
- Low core loss in high frequency, Ni-Zn core used.
- Ideally used in Notebook, PDA and other device.
- RoHS compliance.

◆ Dimensions (mm)

◆ Land Pattern (mm)


Type: CDEIR8D38F
◆ Specification

Part No.	Stamp	Inductance (μ H) at 100kHz	D.C.R. (m Ω) Max.(typ.)	Saturation Curre (A) ※1		Temperature Rise Current (A) ※2
				at 20°C	at 105°C	
CDEIR8D38FNP-4R0N□	4R0	4.0 \pm 30%	23.2(18.5)	7.0	5.8	4.8
CDEIR8D38FNP-5R1N□	5R1	5.1 \pm 30%	25.9(20.7)	6.2	5.1	4.6
CDEIR8D38FNP-6R3N□	6R3	6.3 \pm 30%	30.7(24.5)	5.3	4.4	4.1
CDEIR8D38FNP-7R6N□	7R6	7.6 \pm 30%	34.0(27.2)	4.9	4.1	3.8
CDEIR8D38FNP-100N□	100	10 \pm 30%	43.8(35.0)	4.6	3.8	3.4
CDEIR8D38FNP-120N□	120	12 \pm 30%	66.7(53.3)	4.0	3.2	2.5
CDEIR8D38FNP-150N□	150	15 \pm 30%	70.2(56.1)	3.7	3.0	2.4
CDEIR8D38FNP-180N□	180	18 \pm 30%	83.1(66.5)	3.3	2.7	2.3
CDEIR8D38FNP-220N□	220	22 \pm 30%	88.3(70.6)	3.0	2.5	2.2

※ Description of part name

CDEIR8D38FNP-4R0N□

- B Box
- C Carrier Tape

※1. Saturation current: The DC current at which the inductance decreases to 65% of its nominal value.

※2. Temperature rise current: The DC current at which the temperature rise is $\Delta t=40^{\circ}\text{C}$. ($T_a=20^{\circ}\text{C}$)