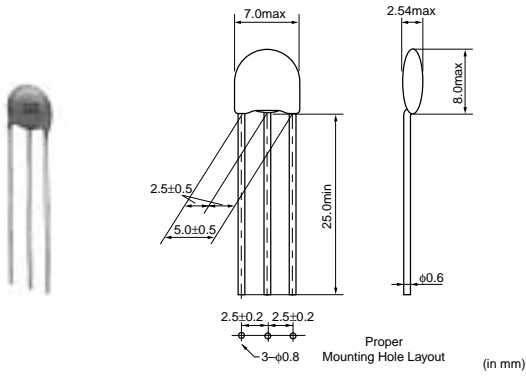


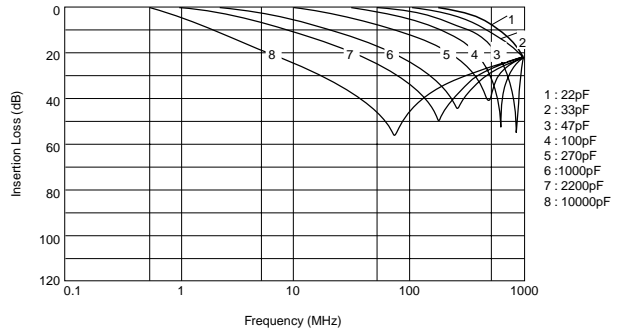
# Lead EMIFIL® Capacitor Type

for General Small Type

● DSN6 Series

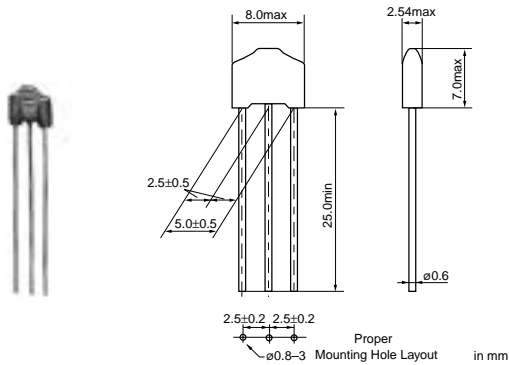


IL of Main Items

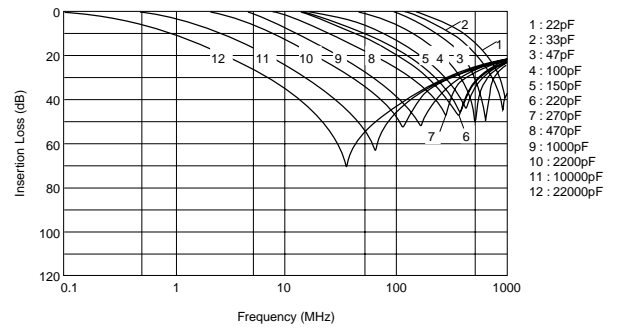


Part Number	Capacitance (pF)	Rated Voltage (Vdc)	Rated Current (A)	Operating Temperature Range (°C)
DSN6NC51H220Q55	22 +20%, -20%	50	6	-25 to 85
DSN6NC51H330Q55	33 +20%, -20%	50	6	-25 to 85
DSN6NC51H470Q55	47 +20%, -20%	50	6	-25 to 85
DSN6NC51H101Q55	100 +20%, -20%	50	6	-25 to 85
DSN6NC51H271Q55	270 +20%, -20%	50	6	-25 to 85
DSN6NC51H102Q55	1000 +20%, -20%	50	6	-25 to 85
DSN6NC51H222Q55	2200 +20%, -20%	50	6	-25 to 85
DSN6NZ81H103Q55	10000 +80%, -20%	50	6	-25 to 85

● Built-in Ferrite Beads DSS6 Series Straight Type

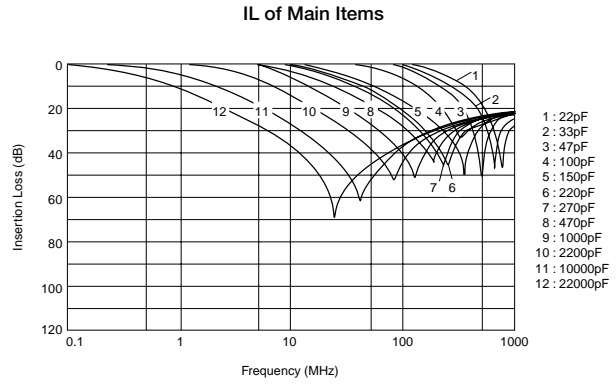
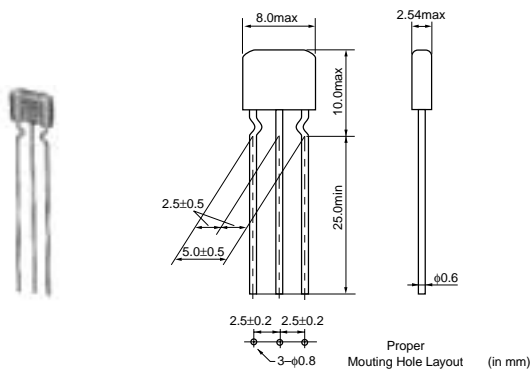


IL of Main Items



Part Number	Capacitance (pF)	Rated Voltage (Vdc)	Rated Current (A)	Operating Temperature Range (°C)
DSS6NC52A220Q55	22 +20%, -20%	100	6	-25 to 85
DSS6NC52A330Q55	33 +20%, -20%	100	6	-25 to 85
DSS6NC52A470Q55	47 +20%, -20%	100	6	-25 to 85
DSS6NC52A101Q55	100 +20%, -20%	100	6	-25 to 85
DSS6NC52A151Q55	150 +20%, -20%	100	6	-25 to 85
DSS6NC52A221Q55	220 +20%, -20%	100	6	-25 to 85
DSS6NC52A271Q55	270 +20%, -20%	100	6	-25 to 85
DSS6NC52A471Q55	470 +20%, -20%	100	6	-25 to 85
DSS6NC52A102Q55	1000 +20%, -20%	100	6	-25 to 85
DSS6NE52A222Q55	2200 +80%, -20%	100	6	-25 to 85
DSS6NZ82A103Q55	10000 +30%, -30%	100	6	-25 to 85
DSS6NF31C223Q55	22000 +80%, -20%	16	6	-25 to 85

## ● Built-in Ferrite Beads DSS6 Series Incrimp Type

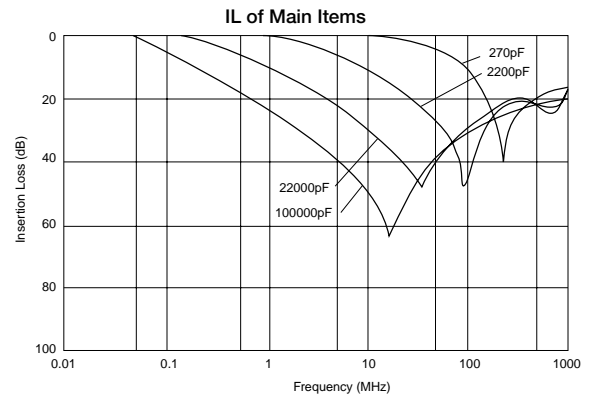
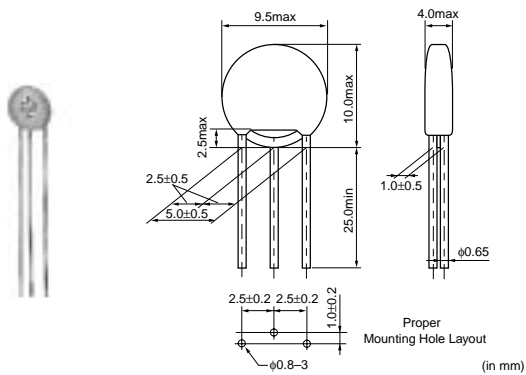


Part Number	Capacitance (pF)	Rated Voltage (Vdc)	Rated Current (A)	Operating Temperature Range (°C)
DSS6NC52A220T51	22 +20%, -20%	100	6	-25 to 85
DSS6NC52A330T51	33 +20%, -20%	100	6	-25 to 85
DSS6NC52A470T51	47 +20%, -20%	100	6	-25 to 85
DSS6NC52A101T51	100 +20%, -20%	100	6	-25 to 85
DSS6NC52A151T51	150 +20%, -20%	100	6	-25 to 85
DSS6NC52A221T51	220 +20%, -20%	100	6	-25 to 85
DSS6NC52A271T51	270 +20%, -20%	100	6	-25 to 85
DSS6NC52A471T51	470 +20%, -20%	100	6	-25 to 85
DSS6NC52A102T51	1000 +20%, -20%	100	6	-25 to 85
DSS6NE52A222T51	2200 +80%, -20%	100	6	-25 to 85
DSS6NZ82A103T51	10000 +30%, -30%	100	6	-25 to 85
DSS6NF31C223T51	22000 +80%, -20%	16	6	-25 to 85

## Lead EMIFIL® Capacitor Type

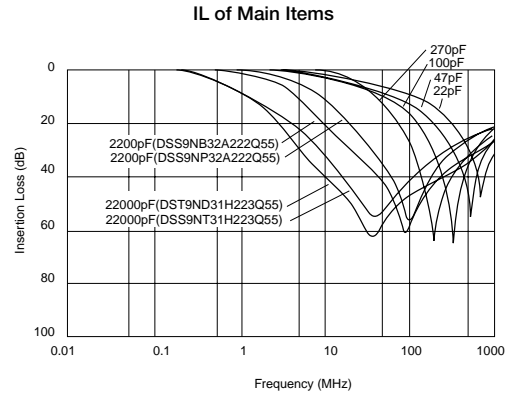
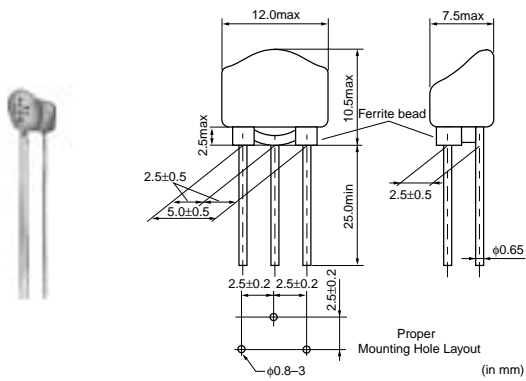
Broad Band Type

## ● DSN9 Series



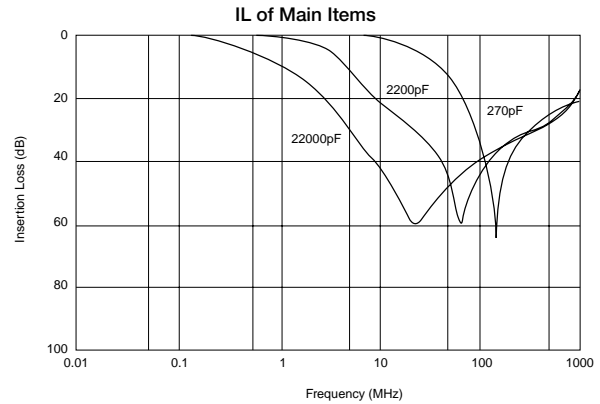
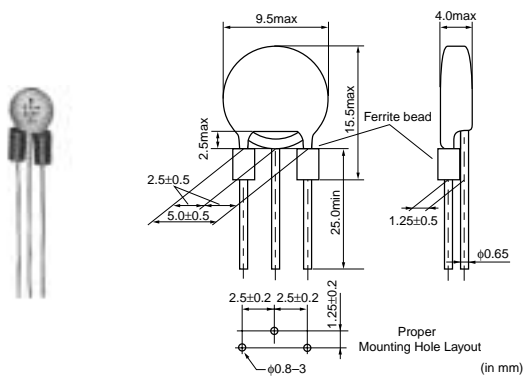
Part Number	Capacitance (pF)	Rated Voltage (Vdc)	Rated Current (A)	Operating Temperature Range (°C)
DSN9NC52A271Q55	270 +20%, -20%	100	7	-25 to 85
DSN9NC52A222Q55	2200 +20%, -20%	100	7	-25 to 85
DSN9NC51H223Q55	22000 +50%, -20%	50	7	-25 to 85
DSN9NC51C104Q55	100000 +20%, -20%	16	7	-25 to 85

## ● Built-in Ferrite Beads DSS9 Series



Part Number	Capacitance (pF)	Rated Voltage (Vdc)	Rated Current (A)	Operating Temperature Range (°C)
DSS9NC52A220Q55	22 +20%, -20%	100	7	-25 to 85
DSS9NC52A470Q55	47 +20%, -20%	100	7	-25 to 85
DSS9NC52A101Q55	100 +20%, -20%	100	7	-25 to 85
DSS9NC52A271Q55	270 +20%, -20%	100	7	-25 to 85
DSS9NC52A222Q55	2200 +20%, -20%	100	7	-25 to 85
DSS9NP32A222Q55	2200 +20%, -20%	100	7	-25 to 85
DSS9NC51H223Q55	22000 +50%, -20%	50	7	-25 to 85
DSS9NT31H223Q55	22000 +50%, -20%	50	7	-25 to 85

## ● With Ferrite Beads DST9 Series



Part Number	Capacitance (pF)	Rated Voltage (Vdc)	Rated Current (A)	Operating Temperature Range (°C)
DST9NC52A271Q55	270 +20%, -20%	100	7	-25 to 85
DST9NC52A222Q55	2200 +20%, -20%	100	7	-25 to 85
DST9NC51H223Q55	22000 +50%, -20%	50	7	-25 to 85