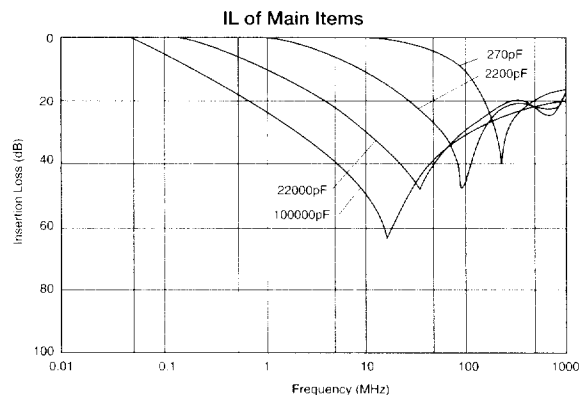
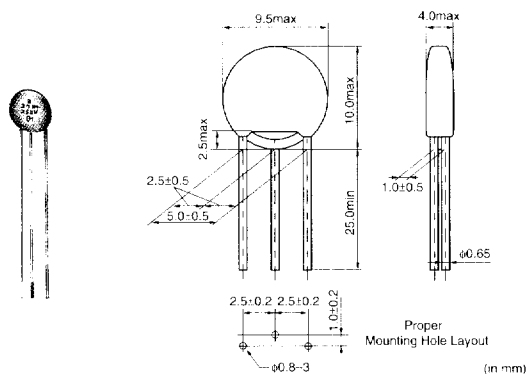


## Lead EMIFIL® Capacitor Type

Broad Band Type

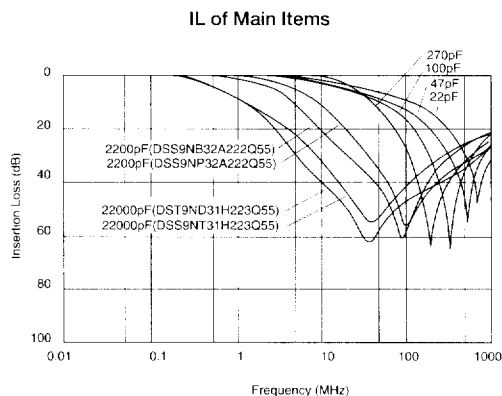
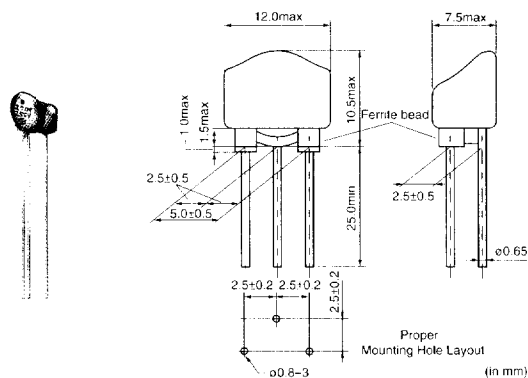
### ● DSN9 Series



Part Number	Capacitance (pF)	Rated Voltage (Vdc)	Rated Current (A)	Operating Temperature Range (°C)
DSN9NC52A271Q55	270 +20%, -20%	100	7	-25 to 85
DSN9NC52A222Q55	2200 +20%, -20%	100	7	-25 to 85
DSN9NC51H223Q55	22000 +50%, -20%	50	7	-25 to 85
DSN9NC51C104Q55	100000 +20%, -20%	16	7	-25 to 85

Rated current is 6A for taping type.

### ● Built-in Ferrite Beads DSS9 Series



Part Number	Capacitance (pF)	Rated Voltage (Vdc)	Rated Current (A)	Operating Temperature Range (°C)
DSS9NC52A220Q55	22 +20%, -20%	100	7	-25 to 85
DSS9NC52A470Q55	47 +20%, -20%	100	7	-25 to 85
DSS9NC52A101Q55	100 +20%, -20%	100	7	-25 to 85
DSS9NC52A271Q55	270 +20%, -20%	100	7	-25 to 85
DSS9NC52A222Q55	2200 +20%, -20%	100	7	-25 to 85
DSS9NP32A222Q55	2200 +20%, -20%	100	7	-25 to 85
DSS9NC51H223Q55	22000 +50%, -20%	50	7	-25 to 85
DSS9NT31H223Q55	22000 +50%, -20%	50	7	-25 to 85

Rated current is 6A for taping type.