

### 512Kx8 Static RAM CMOS, Monolithic

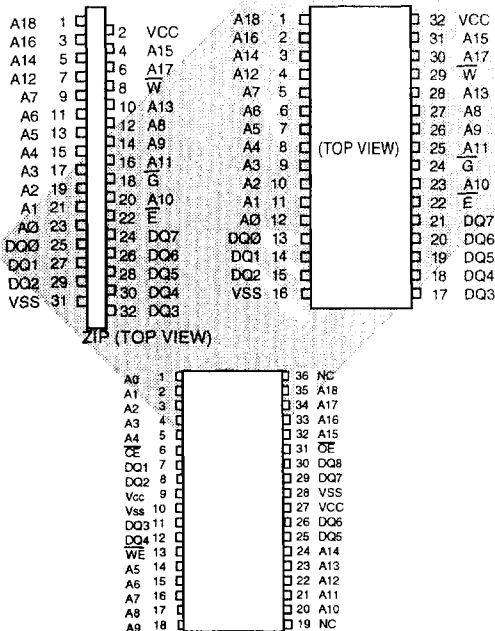
The EDI88512CA is a 4 megabit Monolithic CMOS Static RAM.

The 32 pin DIP pinout adheres to the JEDEC evolutionary standard for the four megabit device and is a replacement for the 512K x 8 module, EDI8M8512C. All three 32 pin packages are pin for pin upgrades for the single chip enable 128K x 8, the EDI88128CS. Pins 1 and 30 become the higher order addresses.

The 36 pin Ceramic TSOP II revolutionary pinout also adheres to the JEDEC standard for the four magabit device. The center pin power and ground pins help to reduce noise in high performance systems. The 36 pin pinout also allows the user an upgrade path to the future 2Mx8.

A Low Power version with Data Retention (EDI88512LP) is also available for battery backed applications. Military product compliant to MIL-STD-883, paragraph 1.2.1 is available.

### Pin Configuration and Block Diagram



### ADVANCE INFORMATION

#### Features

512Kx8 bit CMOS Static Random Access Memory

- Access Times: 25, 35, and 45ns
- Data Retention Function (LP version)
- TTL Compatible Inputs and Outputs
- Fully Static, No Clocks

32 lead JEDEC Approved Evolutionary Pinout

- Ceramic Sidebraced DIP, No. 9
- Ceramic ZIP, No. 100
- Ceramic SOJ, No. 140

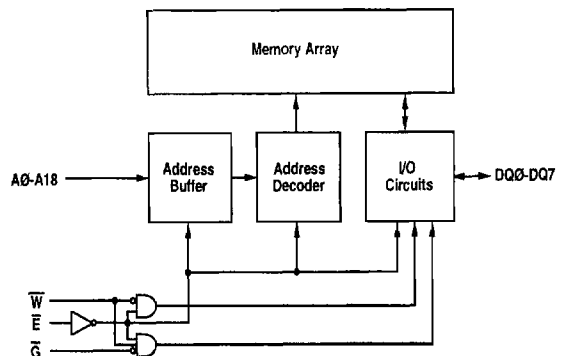
36 lead, JEDEC Approved Revolutionary Pinout

- Ceramic TSOP II, No. 315
- Ceramic Flatpack, No. 316

Single +5V ( $\pm 10\%$ ) Supply Operation

#### Pin Names

A0-A18	Address Inputs
E	Chip Enable
W	Write Enable
G	Output Enable
DQ0-DQ7	Common Data Input/Output
VCC	Power (+5V $\pm 10\%$ )
VSS	Ground



**Ordering Information**  
**Military**

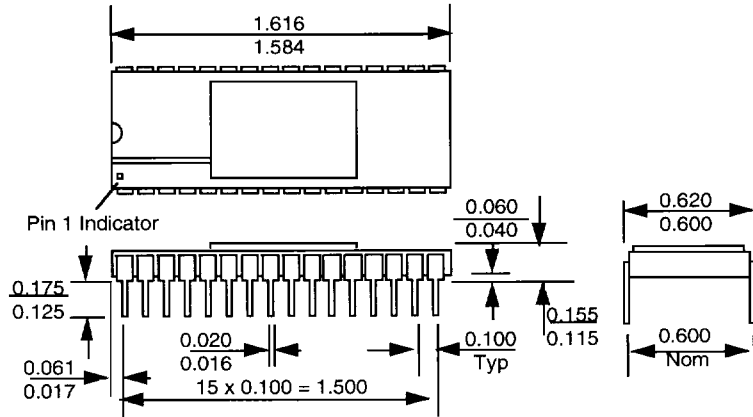
Part No. Standard Power	Speed (ns)	Leads	Package Style	No.
EDI88512CA25CB	25	32	DIP	9
EDI88512CA35CB	35	32	DIP	9
EDI88512CA45CB	45	32	DIP	9
EDI88512CA25NB	25	32	CSOJ	140
EDI88512CA35NB	35	32	CSOJ	140
EDI88512CA45NB	45	32	CSOJ	140
EDI88512CA25ZB	25	32	ZIP	100
EDI88512CA35ZB	35	32	ZIP	100
EDI88512CA45ZB	45	32	ZIP	100
EDI88512CA25B36B	25	36	TSOP	315
EDI88512CA35B36B	35	36	TSOP	315
EDI88512CA45B36B	45	36	TSOP	315
EDI88512CA25F36B	25	36	Flatpack	316
EDI88512CA35F36B	35	36	Flatpack	316
EDI88512CA45F36B	45	36	Flatpack	316

Low Power with Data Retention	Speed (ns)	Leads	Package Style	No.
EDI88512LPA25CB	25	32	DIP	9
EDI88512LPA35CB	35	32	DIP	9
EDI88512LPA45CB	45	32	DIP	9
EDI88512LPA25NB	25	32	CSOJ	140
EDI88512LPA35NB	35	32	CSOJ	140
EDI88512LPA45NB	45	32	CSOJ	140
EDI88512LPA25ZB	25	32	ZIP	100
EDI88512LPA35ZB	35	32	ZIP	100
EDI88512LPA45ZB	45	32	ZIP	100
EDI88512LPA25B36B	25	36	TSOP	315
EDI88512LPA25B36B	35	36	TSOP	315
EDI88512LPA45B36B	55	36	TSOP	315
EDI88512LPA25F36B	25	36	Flatpack	316
EDI88512LPA35F36B	35	36	Flatpack	316
EDI88512LPA45F36B	45	36	Flatpack	316

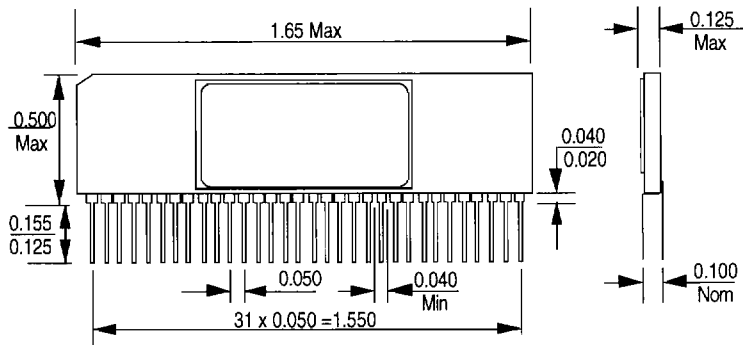
For Commercial or Industrial grade product use C or I, respectively, to replace B in the suffix of the part number, e.g. EDI88512CA25CB becomes EDI88512CA25CC (commercial temp range) or EDI88512CA25CI (industrial temp range).

**Package Description**

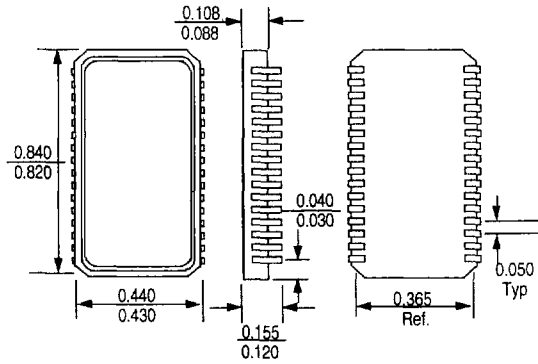
**Package No. 9**  
**32 Pin Sidebrazed Ceramic**  
**Dual-in-line Package**



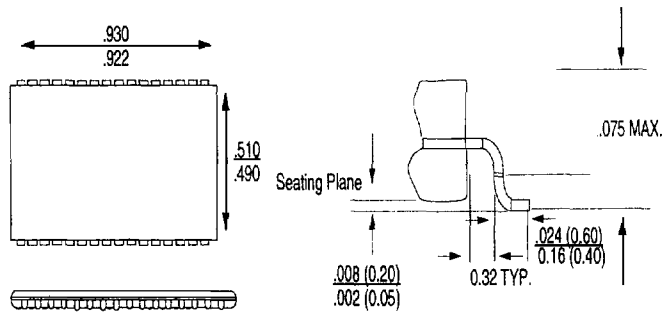
**Package No. 100**  
**32 Pin Ceramic**  
**ZIP Package**



**Package No. 140**  
**32 Lead Ceramic**  
**SOJ Package**



**Package No. 315**  
**36 Pin Ceramic**  
**TSOP II**



**Package No. 316**  
**36 Pin Ceramic**  
**Flatpack**

