

μBGA™ (Open top)

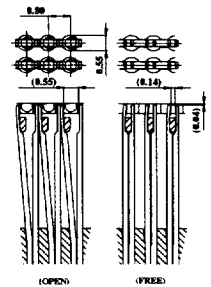
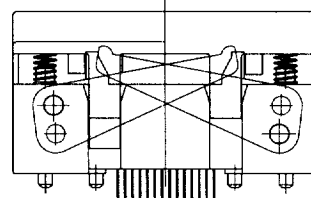
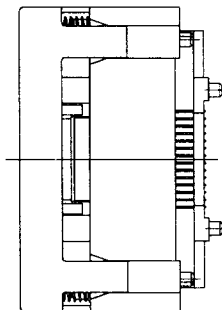
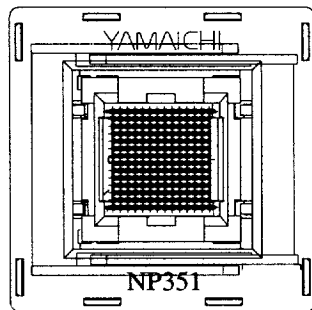
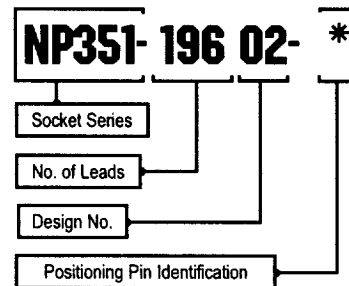
NP351 Series

Characteristics

Insulation Resistance: 1,000MΩ or more at 100 VDC
 Withstanding Voltage: 700 VAC for 1 Minute
 Contact Resistance: 100mΩ or less at 10mA/20mV (Initial)
 Operating Temperature: -55°C ~ +170°C

Material

Insulator: PEI (Glass Filled)
 Contact: Beryllium Copper
 Plating: Gold over Nickel



Part Number	No. of		Socket Size		Package Size	
	Leads	Pitch	Length	Width	Grid	Body
NP351-06024-*-*	60	0.80	40.0	40.0	6 X 15	7.83 X 14.76
NP351-10820-*-*	108	0.80	36.0	36.0	12 X 12	11 X 11
NP351-11215-*	112	0.80	36.0	36.0	11 X 11	10 X 10
NP351-12114	121	0.80	36.0	36.0	13 X 13	12 X 12
NP351-14422	144	0.80	36.0	36.0	13 X 13	12 X 12
NP351-15208-*	152	0.80	38.0	38.0	16 X 16	14 X 14
NP351-15208N-*-*	152	0.80	40.0	40.0	16 X 16	14 X 14
NP351-17621-*-*	176	0.80	40.0	40.0	17 X 17	15 X 15
NP351-19602-*	196	0.80	33.0	33.0	14 X 14	12 X 12

Note: Please contact Yamaichi Electronics for other pin counts.

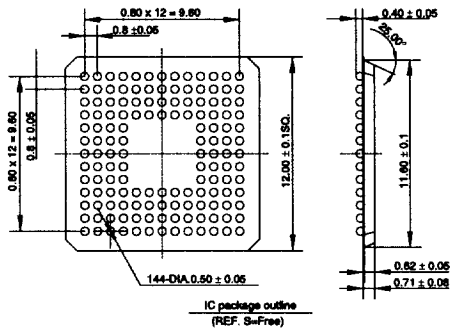
μBGA™ (Open top)

NP351 Series

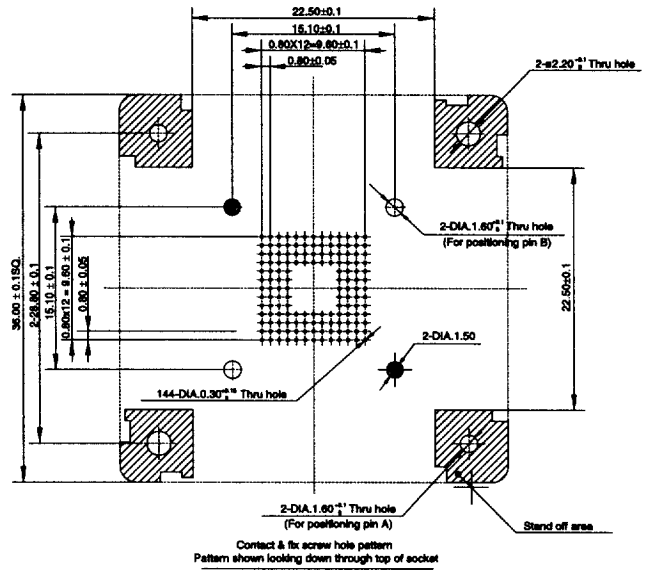
PC BOARD LAYOUTS

NP351-14422

Matching IC Dimension Only

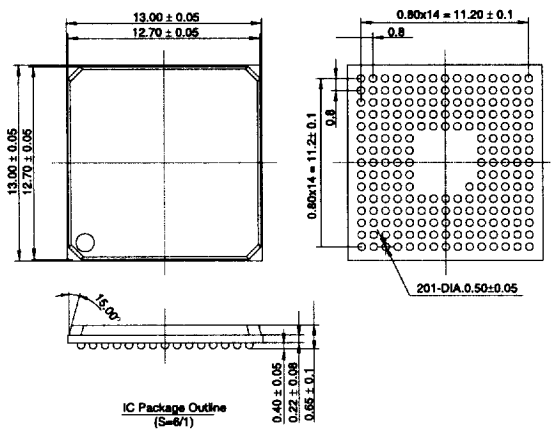


PC Board Layout (Reference Only)

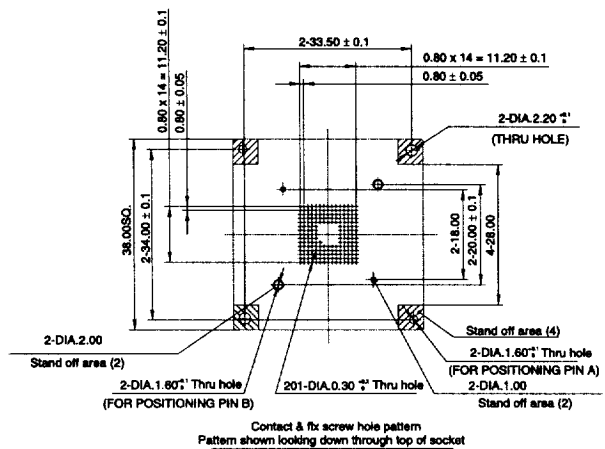


NP351-20149

Matching IC Dimension Only



PC Board Layout (Reference Only)



PC BOARD LAYOUTS

μ BGA™ (Open top)

NP351 Series

NP351-34031

Matching IC Dimension Only

PC Board Layout (Reference Only)

