

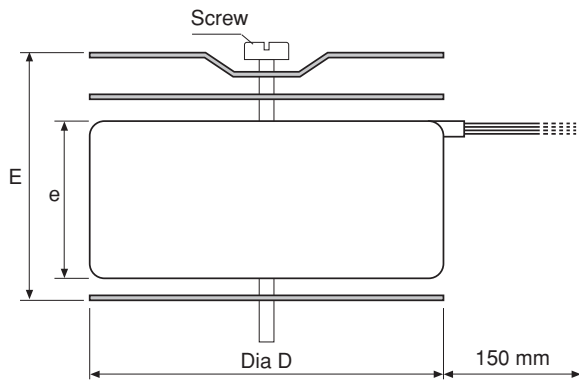
Toroidal Transformers



FEATURES

- NFC 52200
- 10 sizes with power ratings from 15 to 500 watts
- TAZ toroidal transformers are designed for 50/60Hz power supplies used for electronic circuitry
- Performance and geometry of magnetic core give an excellent efficiency and very low radiation
- Parts are delivered with ring washers for easy assembly

DIMENSIONS in millimeters



SERIES	DIMENSIONS in mm			SCREW	UNIT WEIGHT Kg
	Dia D	e	E		
TAZ 15	63	31	36	M 4 x 40	0.32
TAZ 30	72	32	37	M 4 x 40	0.52
TAZ 50	82	33	38	M 6 x 40	0.73
TAZ 80	90	42	47	M 6 x 50	1.0
TAZ 120	102	37	42	M 6 x 50	1.5
TAZ 160	105	43	48	M 6 x 50	1.7
TAZ 200	118	42	47	M 8 x 50	2.1
TAZ 250	125	60	65	M 8 x 70	3.0
TAZ 300	130	60	65	M 8 x 70	3.4
TAZ 500	145	55	60	M 10 x 60	4.3

ELECTRICAL SPECIFICATIONS

Primary Voltage	115VRMS parallel windings 230VRMS series windings
Frequency Range	50 or 60Hz
Dielectric strength	2500VRMS

MECHANICAL SPECIFICATIONS

Assembly	screwed and tied by ring washer and 2 soft washers
Connection	wire with colored sleeves
Protection	polyester ribbon

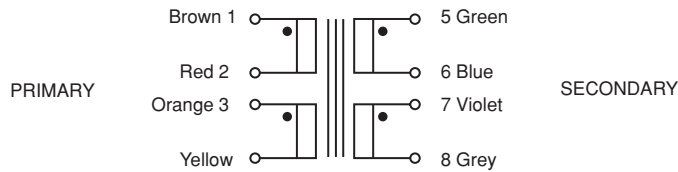
CLIMATIC SPECIFICATIONS

Temperature Range	0°C to + 70°C
-------------------	---------------

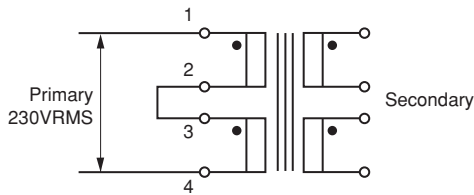
SPECIAL FEATURES ON REQUEST

- Primary/secondary shield
- Flexible leads
- Impregnation
- Connector
- Specific voltages
- Specific sizes.

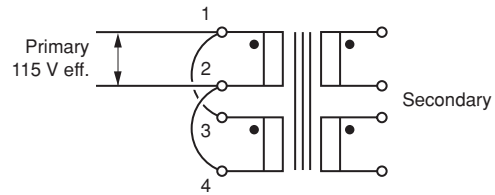
ELECTRICAL DIAGRAM



CONNECTION FOR 230V MAIN SUPPLY



CONNECTION FOR 115V MAIN SUPPLY



SERIES AND MODEL	POWER W	CURRENT (A)					
		2 x 6V	2 x 9V	2 x 12V	2 x 15V	2 x 24V	2 x 48V
TAZ 15	15	1.3	0.84	0.63	0.50	0.32	0.16
TAZ 30	30	2.5	1.7	1.3	1.0	0.63	0.32
TAZ 50	50	4.2	2.8	2.1	1.7	1.1	0.53
TAZ 80	80	6.7	4.5	3.4	2.7	1.7	0.84
TAZ 120	120	10	6.7	5	4	2.5	1.25
TAZ 160	160	13.4	8.9	6.7	5.4	3.4	1.7
TAZ 200	200	16.7	11.1	8.4	6.7	4.2	2.1
TAZ 250	250	20.8	13.9	10.4	8.4	5.2	2.6
TAZ 300	300	25.0	16.7	12.5	10.0	6.3	3.2
TAZ 500	500	41.7	27.8	20.9	16.7	10.4	5.2

PACKAGING
In a box with screw, ring washer and 2 soft washers.

MARKING
Label with manufacturer, series, model, manufacturing date (code), schematic.

ORDERING INFORMATION		
TAZ	30W	2 x 6V
SERIES	MODEL	SECONDARY VOLTAGE