

# Coaxial Low Noise Amplifier

## ZQL-1900MLNW+ ZQL-1900MLNW

50Ω 1800 to 2000 MHz



### Features

- very low noise, 1.6 dB max.
- high IP3, +41dBm typ.
- rugged, shielded case

### Applications

- PCS
- mobile satellite service
- UMTS

CASE STYLE: CW686

Connectors	Model	Price	Qty.
SMA	ZQL-1900MLNW(+)	\$249.00 ea.	(1-9)

**+ RoHS compliant in accordance with EU Directive (2002/95/EC)**

The +Suffix identifies RoHS Compliance. See our web site for RoHS Compliance methodologies and qualifications.

### Low Noise Amplifier Electrical Specifications

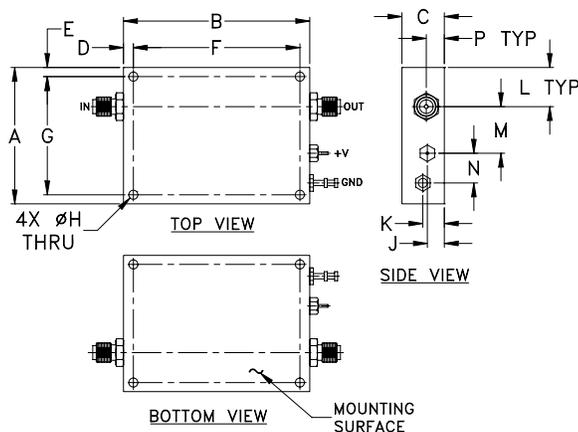
MODEL NO.	FREQUENCY (MHz)		NOISE FIGURE (dB) Max.	GAIN (dB)		MAXIMUM POWER (dBm)		INTERCEPT POINT (dBm) IP3 Typ.	VSWR (:1) Typ.*		DC POWER	
	f <sub>L</sub>	f <sub>U</sub>		Min.	Flatness Max.	Output (1 dB Compr.) Typ.	Input (no damage)		In	Out	Volt (V) Nom.	Current (mA) Max.
ZQL-1900MLNW(+)	1800	2000	1.6	23	±2.0	+25	+3	+41	1.4	1.25	15	310

Open load is not recommended, potentially can cause damage.  
With no load derate max input power by 20 dB  
\*Measured at 1900 MHz

### Maximum Ratings

Operating Temperature	-40°C to 70°C
Storage Temperature	-55°C to 100°C
DC Voltage	+17V Max.

### Outline Drawing



### Outline Dimensions (inch/mm)

A	B	C	D	E	F	G	H	J	K	L	M	N	P	wt
1.77	2.42	.55	.13	.12	2.165	1.535	.126	.22	.28	.51	.61	.39	0.22	grams
44.96	61.47	13.97	3.30	3.05	55.0	39.0	3.20	5.59	7.11	12.95	15.49	9.91	5.59	71.0

**Mini-Circuits®**  
ISO 9001 ISO 14001 AS 9100 CERTIFIED

**minicircuits.com**

P.O. Box 350166, Brooklyn, New York 11235-0003 (718) 934-4500 Fax (718) 332-4661 For detailed performance specs & shopping online see Mini-Circuits web site

**RF12** The Design Engineers Search Engine Provides ACTUAL Data Instantly From MINI-CIRCUITS At: [www.minicircuits.com](http://www.minicircuits.com)

IF/RF MICROWAVE COMPONENTS

REV. B  
M123080  
ZQL-900MLN  
090601  
Page 1 of 2

# Typical Performance Data/Curves

# ZQL-1900MLNW+ ZQL-1900MLNW

FREQUENCY (MHz)	GAIN (dB)	DIRECTIVITY (dB)	VSWR (:1)		NOISE FIGURE (dB)	POUT at 1 dB COMPR. (dBm)
	15V	15V	IN	OUT	15V	15V
1800.00	27.96	16.90	1.22	1.28	1.16	27.59
1850.00	27.36	17.00	1.28	1.14	1.18	27.48
1859.00	27.27	17.20	1.30	1.12	1.18	27.49
1865.00	27.22	17.30	1.30	1.11	1.17	27.37
1874.00	27.14	17.70	1.31	1.10	1.17	27.35
1886.00	27.05	17.90	1.33	1.08	1.18	27.23
1895.00	26.96	17.60	1.34	1.08	1.18	27.17
1901.00	26.89	17.20	1.34	1.08	1.18	27.09
1910.00	26.80	18.40	1.34	1.08	1.16	27.11
2000.00	26.03	18.40	1.35	1.25	1.14	26.58

