

Coaxial Amplifier

ZX60-5916M+

50Ω High Isolation 1.5 to 5.9 GHz



Features

- from 2.8V to 5V operation
- wide bandwidth, 1.5 to 5.9 GHz
- high active directivity, 25 dB typ.
- output power, up to 14.5 dBm typ.
- protected by US patent 6,790,049

Applications

- buffer amplifier
- LO amplifiers for mixers
- cellular
- PCN

CASE STYLE: GC957

Connectors	Model	Price	Qty.
SMA	ZX60-5916M-S+	\$59.95 ea.	(1-9)

+ RoHS compliant in accordance with EU Directive (2002/95/EC)

The +Suffix has been added in order to identify RoHS Compliance. See our web site for RoHS Compliance methodologies and qualifications.

Electrical Specifications T_{AMB}=25°C

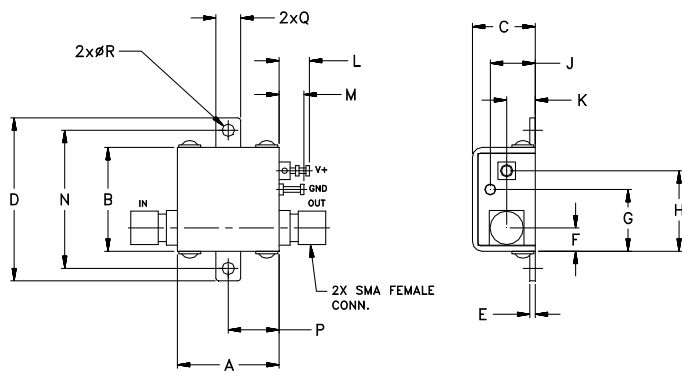
MODEL NO.	FREQ. (GHz)		DC VOLTS (V)	GAIN, dB Typical					MAXIMUM POWER (dBm)			DYNAMIC RANGE			VSWR (:1) Typ.		ACTIVE DIRECTIVITY (dB) (Isolation-Gain) Typ	DC OPERATING CURRENT @ Pin V+ (mA)		
	f _L	f _U		over frequency, GHz					Output (1 dB Comp.) Typ.		Input (no damage)	NF (dB) Typ.	IP3 (dBm) Typ.		In	Out		Typ	Typ	Max.
				1.5	2.0	3.5	5.0	5.9	f _L	f _U			at 2 GHz	at 2 GHz						
ZX60-5916M+	1.5	5.9	5.0	17.0	17.7	17.2	18.0	13.8	15.5	14.5	15.7	10	6.4	28.3	28.9	2.2	1.2	20	73	96
			2.8	13.6	14.6	14.7	16.5	11.5	—	11.5	12.8	10	7.0	23.5	23.5	2.5	1.4	25	66	—

Maximum Ratings

Operating Temperature	-40°C to 85°C case
Storage Temperature	-55°C to 100°C
DC Voltage	7V
Input Power(no damage)	10 dBm
Power	500mW

Permanent damage may occur if any of these limits are exceeded.

Outline Drawing



Outline Dimensions (inch/mm)

A	B	C	D	E	F	G	H	J	K	L	M	N	P	Q	R	wt
.74	.75	.46	1.18	.04	.17	.45	.59	.33	.21	.22	.18	1.00	.37	.18	.106	grams
18.80	19.05	11.68	29.97	1.02	4.32	11.43	14.99	8.38	5.33	5.59	4.57	25.40	9.40	4.57	2.69	23.0



For detailed performance specs & shopping online see web site

P.O. Box 350166, Brooklyn, New York 11235-0003 (718) 934-4500 Fax (718) 332-4661 The Design Engineers Search Engine Provides ACTUAL Data Instantly at minicircuits.com

IF/RF MICROWAVE COMPONENTS

Notes: 1. Performance and quality attributes and conditions not expressly stated in this specification sheet are intended to be excluded and do not form a part of this specification sheet. 2. Electrical specifications and performance data contained herein are based on Mini-Circuits' applicable established test performance criteria and measurement instructions. 3. The parts covered by this specification sheet are subject to Mini-Circuits standard limited warranty and terms and conditions (collectively, "Standard Terms"); Purchasers of this part are entitled to the rights and benefits contained therein. For a full statement of the Standard Terms and the exclusive rights and remedies thereunder, please visit Mini-Circuits' website at www.minicircuits.com/MCLStore/terms.jsp.

REV. B
M98898
ZX60-5916M
EDR-6128
RVN/TD/CP/AM
090819
Page 1 of 2

FREQUENCY (MHz)	GAIN (dB)		DIRECTIVITY (dB)		VSWR IN (:1)		VSWR OUT (:1)		NOISE FIGURE (dB)		POUT at 1 dB COMPR. (dBm)	
	2.8V	5V	2.8V	5V	2.8V	5V	2.8V	5V	2.8V	5V	2.8V	5V
1500.00	13.96	17.17	56.17	43.10	4.75	4.59	1.54	1.44	8.59	7.95	10.65	14.88
2000.00	14.62	17.57	35.49	34.05	3.07	2.81	1.58	1.34	7.15	6.49	11.19	14.69
2500.00	14.52	17.17	29.52	27.98	2.51	2.30	1.52	1.22	6.77	6.09	10.47	14.40
3000.00	14.58	16.96	25.18	24.90	2.27	2.13	1.46	1.19	6.12	5.53	10.98	14.19
3500.00	14.72	17.05	22.78	22.37	2.15	2.11	1.38	1.17	6.18	5.62	10.71	13.82
4000.00	14.85	17.27	20.93	20.39	2.06	2.11	1.29	1.14	5.87	5.44	10.50	13.47
4400.00	15.50	17.75	19.31	19.04	1.97	2.05	1.23	1.14	5.40	5.02	10.55	13.15
5000.00	16.48	18.04	17.36	17.44	2.02	2.00	1.24	1.15	5.44	5.21	11.39	13.79
5600.00	14.10	15.78	18.86	18.78	1.83	1.70	1.24	1.33	5.04	4.91	12.10	14.60
5900.00	11.72	13.97	21.38	20.13	1.74	1.61	1.25	1.33	5.82	5.29	11.27	14.99

