



712-419 Self-Locking Composite Conduit Adapter for Series 74 PEEK, PFA, ETFE, FEP or PTFE Tubing Shielding Optional

712 F T 419 XM 19 12-20 K-1

Product Series _____

Connector Designator (A, F, H & U) _____

Angular Function
S - Straight
T = 45° Elbow
W = 90° Elbow _____

Basic No. _____

Finish (Table III) _____

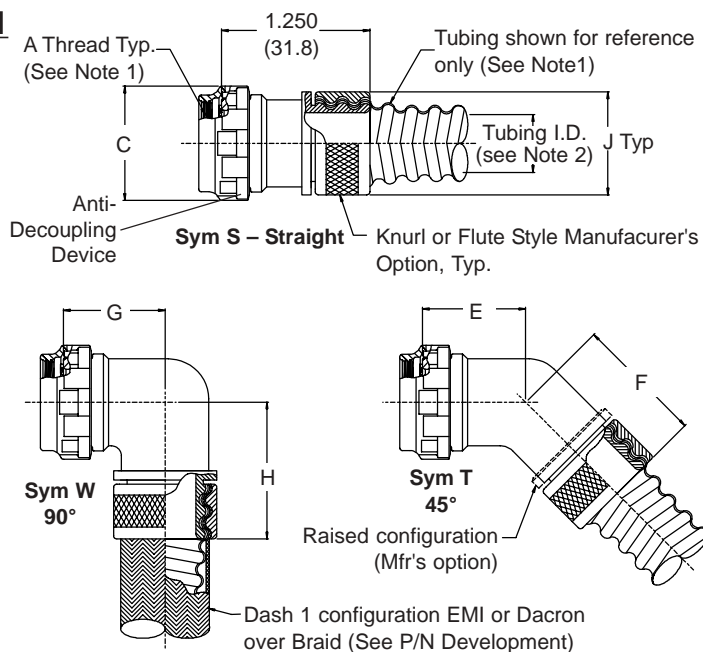
Shell Size (Table I) (See Note 1) _____

Dash No. (Table II) _____

Tubing Option (See Note 2)
K = PEEK
(Omit for PFA, ETFE, FEP, or PTFE) _____

To accommodate EMI or Dacron overbraid
(Omit if Not Required) _____

Length in 1/4 inch increments (20 = 4 in.)
Omit for Standard 1.25 in. length _____



Shell Size		E	F	G	H	Tubing Size Max.
A, F & H	G & U	±.06 (1.5)	±.09 (2.3)	±.06 (1.5)	±.09 (2.3)	
08, 09	—	.720 (18.3)	.890 (22.6)	.690 (17.5)	1.110 (28.2)	09
03, 10, 11	08	.750 (19.1)	.950 (24.1)	.750 (19.1)	1.160 (29.5)	12
12, 13	10, 11	.750 (19.1)	1.020 (25.9)	.810 (20.6)	1.220 (31.0)	16
14, 15	12, 13	.760 (19.3)	1.050 (26.7)	.880 (22.4)	1.290 (32.8)	20
16, 17	14, 15	.780 (19.8)	1.070 (27.2)	.940 (23.9)	1.350 (34.3)	24
18, 19	16, 17	.790 (20.1)	1.080 (27.4)	.970 (24.6)	1.380 (35.1)	28
20, 21	18, 19	.820 (20.8)	1.110 (28.2)	1.060 (26.9)	1.470 (37.3)	32
22, 23	20	.860 (21.8)	1.150 (29.2)	1.130 (28.7)	1.540 (39.1)	32
24, 25, 61	22, 23	.890 (22.6)	1.180 (30.0)	1.190 (30.2)	1.730 (43.9)	40
28	24, 25	.920 (23.4)	1.210 (30.7)	1.340 (34.0)	1.820 (46.2)	40

Dash No.	Conduit I.D.	J Dia Max
06	.188 (4.8)	.790 (20.1)
09	.281 (7.1)	.985 (25.0)
10	.312 (7.9)	.985 (25.0)
12	.375 (9.5)	1.035 (26.3)
14	.437 (11.1)	1.100 (27.9)
16	.500 (12.7)	1.160 (29.5)
20	.625 (15.9)	1.285 (32.6)
24	.750 (19.1)	1.480 (37.6)
28	.875 (22.2)	1.670 (42.4)
32	1.000 (25.4)	1.720 (43.7)
40	1.250 (31.8)	2.100 (53.3)
48	1.500 (38.1)	2.420 (61.5)

XM	Electroless Nickel
XW	Cadmium Olive Drab Over Electroless Nickel
XB	No Plating - Black Material
XO	No Plating - Base Material Non-conductive

NOTES:

- Convolute tubing size, tubing to be ordered separately (see Series 74 Catalog, Type A Tubing Section, Standard Pitch). Dash 1 configuration accommodates Type B or D Tubing.
- Different adapters are necessary to terminate PEEK tubing. Nominal I.D. reduced by approximately .060 (use Suffix P) in P/N development.

Metric dimensions (mm) are in parentheses and are for reference only.
CAGE Codes 06324