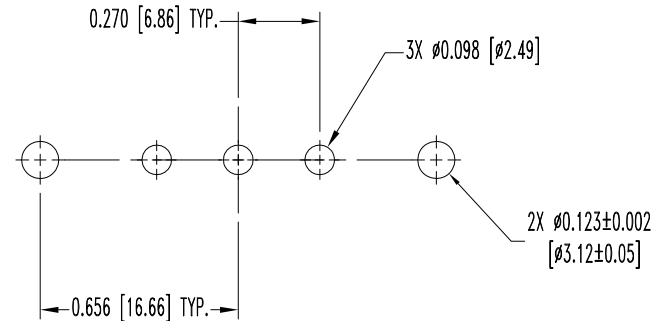
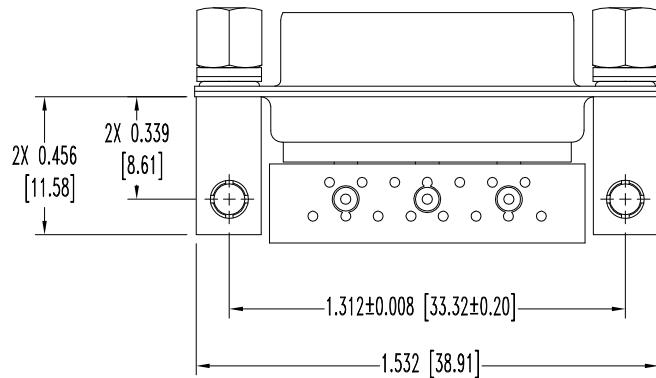
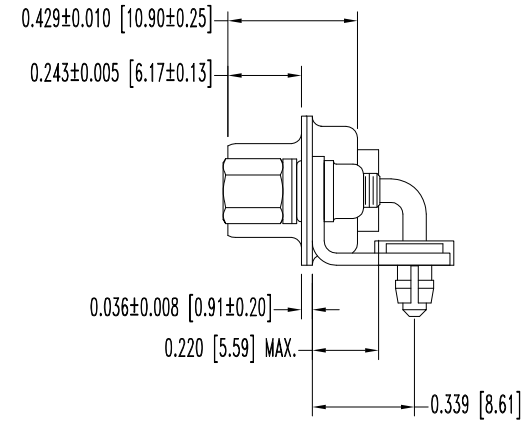
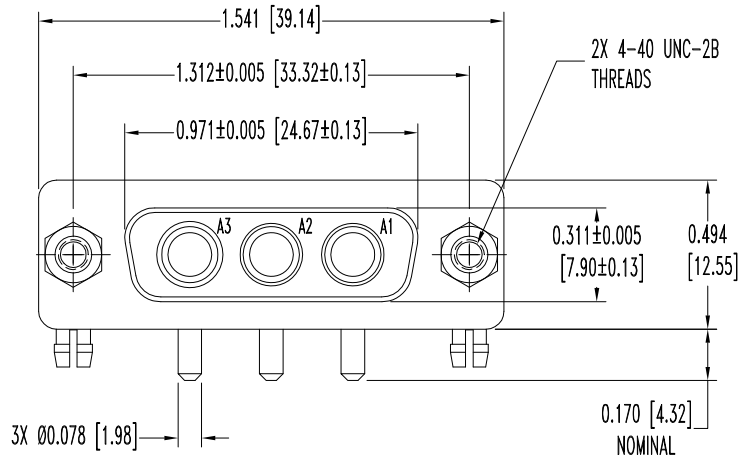


THIS DRAWING CONTAINS INFORMATION PROPRIETARY TO POSITRONIC AND ITS SUBSIDIARIES. POSITRONIC BELIEVES THE DATA ON THIS DRAWING TO BE RELIABLE. SINCE THE TECHNICAL INFORMATION IS GIVEN FREE OF CHARGE, THE USER EMPLOYS SUCH INFORMATION AT HIS OWN DISCRETION AND RISK. POSITRONIC ASSUMES NO RESPONSIBILITY FOR RESULTS OBTAINED OR DAMAGES INCURRED FROM USE OF SUCH INFORMATION IN WHOLE OR IN PART.

DATE	REV	REVISION RECORD	APP	DR	CK
5-23-05	NC	ECO 24131	RW	YK	TK
3-9-10	A	ECO 32219	COLE	BE	COLE



NOTES:

- MATERIALS AND FINISHES:
 INSULATOR: GLASS FILLED POLYESTER PER ASTM D5927, UL 94V-0, BLUE COLOR.
 CONTACTS: PRECISION MACHINED HIGH TENSILE PHOSPHOR BRONZE WITH GOLD FLASH OVER NICKEL PLATE.
 SHELLS: STEEL WITH TIN PLATE.
 MOUNTING BRACKETS: BRASS WITH TIN PLATE.
 PUSH-ON FASTENERS: BERYLLIUM COPPER WITH TIN PLATE.
 JACKSCREWS: STEEL WITH TIN PLATE.
 WASHERS: BRASS WITH TIN PLATE.
- DETAILED PRODUCT, ELECTRICAL, AND MECHANICAL INFORMATION IS AVAILABLE IN THE LATEST STANDARD DENSITY COMBO-D PRODUCT PUBLICATION. VISIT CONNECTPOSITRONIC.COM/PRODUCTS/1/STANDARD DENSITY COMBO-D OR CONNECTPOSITRONIC.COM.
- CONNECTORS ARE ROHS COMPLIANT PER ROHS DIRECTIVE 2002/95/EC OF 27 JAN 2003.
- DIMENSIONS ARE IN INCHES [MILLIMETERS].

CONTACT HOLE PATTERN

	POSITRONIC INDUSTRIES INC. www.connectpositronic.com		FSCM 28198
	CBD SERIES	SCALE N.T.S.	DRAWN BY YK
DECIMAL TOL. ± 0.015 [0.38]	TITLE CBD3W3F55R8NT2X/AA		
ANGULAR TOL. ± 5°	DATE 5-23-05	DRAWING NUMBER SK6235	REV. A
		APPROVED BY RW	