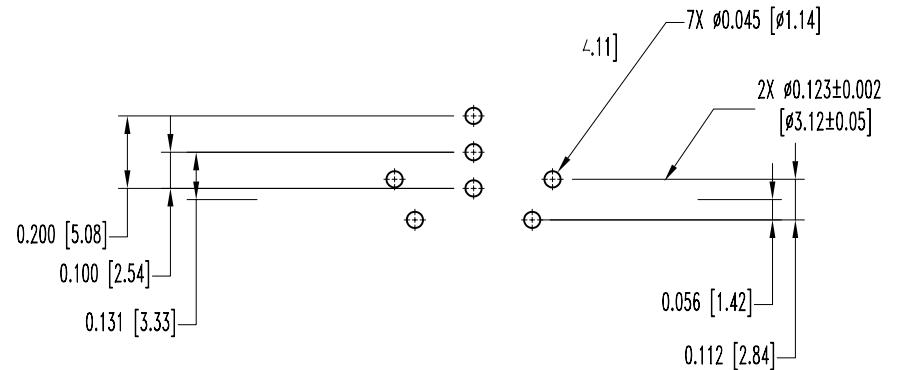
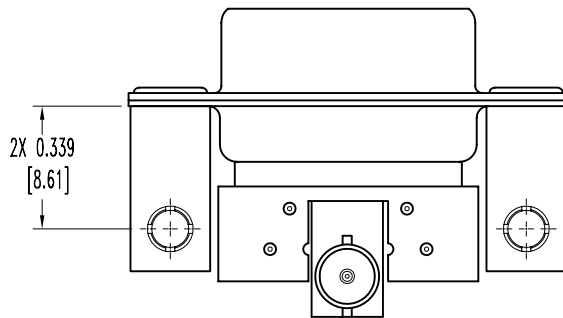
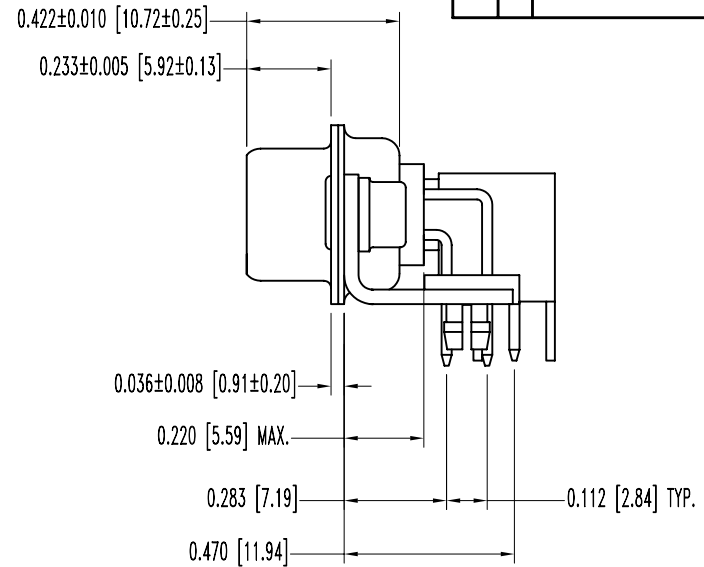
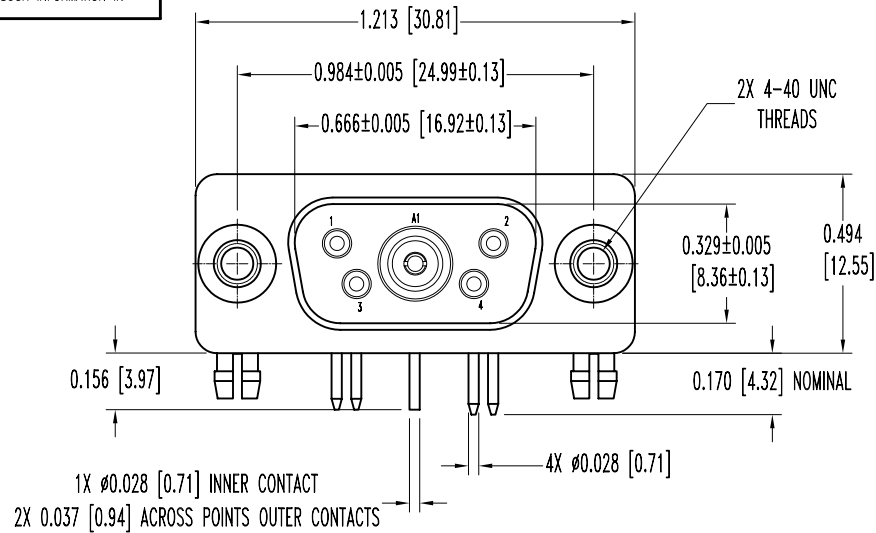


POSITRONIC INDUSTRIES BELIEVES THE DATA ON THIS DRAWING TO BE RELIABLE. SINCE THE TECHNICAL INFORMATION IS GIVEN FREE OF CHARGE, THE USER EMPLOYS SUCH INFORMATION AT HIS OWN DISCRETION AND RISK. POSITRONIC INDUSTRIES ASSUMES NO RESPONSIBILITY FOR RESULTS OBTAINED OR DAMAGES INCURRED FROM USE OF SUCH INFORMATION IN WHOLE OR IN PART.

DATE	REV	REVISION RECORD	APP	DR	CK
5-8-06	NC	ECO 25922		YK	



NOTES:

1. MATERIALS AND FINISHES:

- INSULATOR: GLASS FILLED POLYESTER PER MIL-M-24519 UL 94V-0, COLOR: BLUE.
- SIGNAL CONTACTS: PRECISION MACHINED BRASS ALLOY, GOLD FLASH OVER NICKEL PLATE.
- SHIELDED CONTACTS: COPPER ALLOY WITH PTFE TEFLON INSULATOR.
- PLATING: SIGNAL CONTACT: 0.000030 [0.75µ] GOLD OVER NICKEL.
- CONTACT BODY: GOLD FLASH OVER NICKEL.

- SHELLS: STEEL WITH TIN PLATE.
- MOUNTING BRACKETS: BRASS WITH TIN PLATE.
- CLINCH NUTS: BRASS, ZINC PLATE BLUE CHROMATE SEAL.
- ALIGNMENT B
- PUSH-ON FASTENER: BERYLLIUM COPPER, TIN PLATE.

2. ELECTRICAL CHARACTERISTICS:

- SIGNAL CONTACTS:
- CONTACT CURRENT RATING: 7.5 AMPERES NOMINAL.
- INITIAL CONTACT RESISTANCE: 0.008 OHMS MAXIMUM.

SHIELDED CONTACTS:

- INITIAL CONTACT RESISTANCE: 0.008 OHMS MAXIMUM.
- NOMINAL IMPEDANCE: 50 OHMS.
- INSERTION LOSS: -0.46 dB AT 1 GHz  
-1.5 dB AT 2 GHz
- VSWR: 1.15 AVERAGE AT 1 GHz  
1.56 AVERAGE AT 2 GHz
- INSULATOR RESISTANCE: 5 G OHMS.
- WORKING VOLTAGE: 300 V r.m.s.
- TEMPERATURE RANGE: -55°C TO +125°C.
- CONNECTORS ARE ROHS COMPLIANT PER ROHS DIRECTIVE 2002/95/EC OF 27 JAN 2003.
- DIMENSIONS ARE IN INCHES [MILLIMETERS].

		<b>POSITRONIC INDUSTRIES INC.</b> www.connectpositronic.com	
		DECIMAL TOL. ± 0.015 [0.38]	SCALE N.T.S.
TITLE CBD SERIES		TITLE CBD5W1M85R8NOX/AA	
ANGULAR TOL. ± 5°	DATE 5-8-06	DRAWING NUMBER SK7316	REV. NC