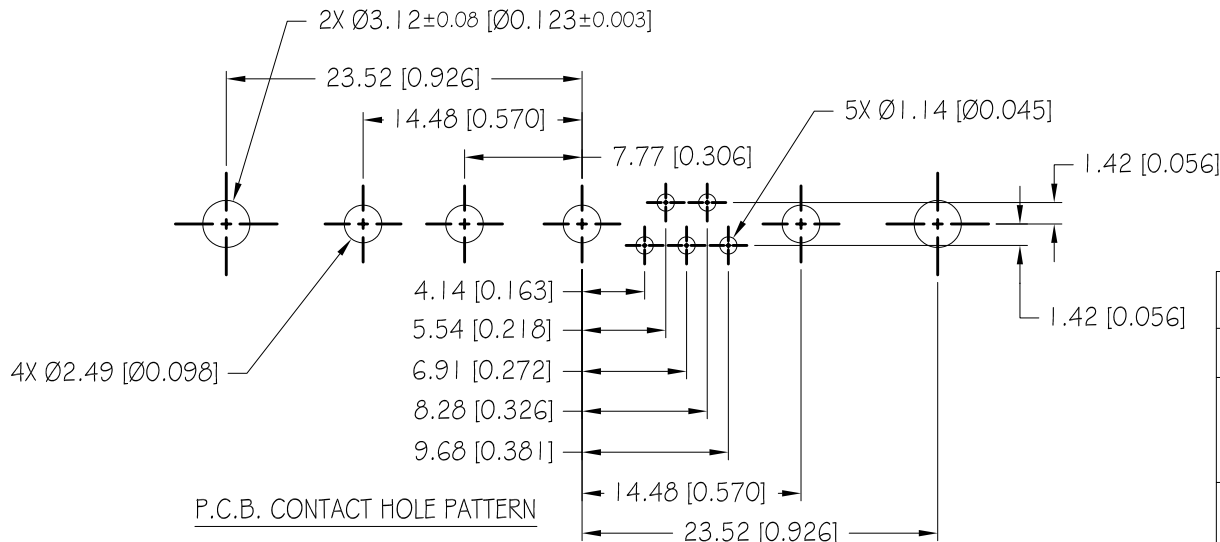
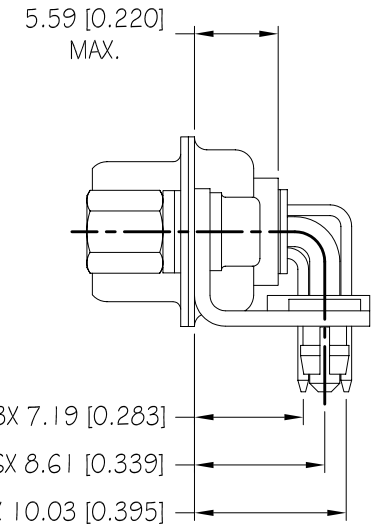
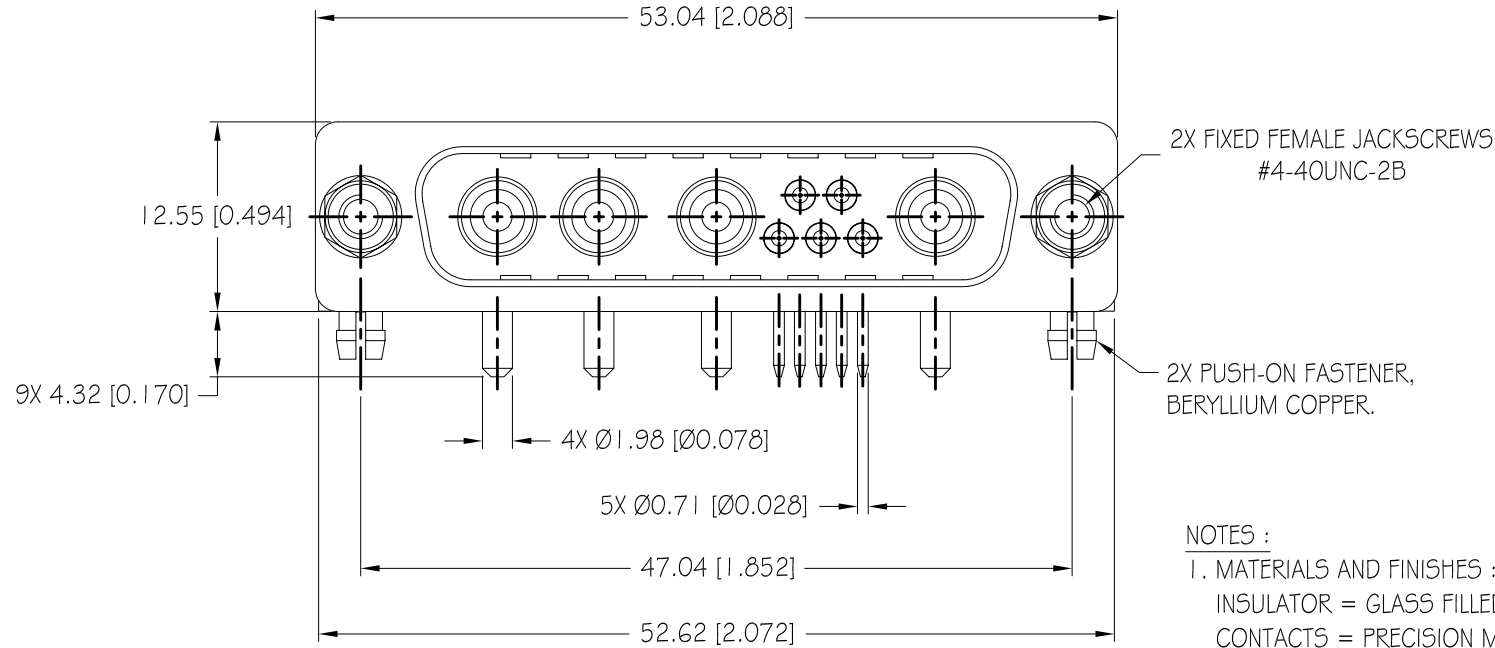


THIS DRAWING CONTAINS INFORMATION PROPRIETARY TO POSITRONIC ASIA PTE. LTD. ANY REPRODUCTION, DISCLOSURE OR USE OF THIS DRAWING IS EXPRESSLY PROHIBITED EXCEPT AS POSITRONIC ASIA PTE. LTD. MAY OTHERWISE AGREE IN WRITING.

DATE	REV	REVISION RECORD	DRN	CKD	APP



NOTES :

1. MATERIALS AND FINISHES :

- INSULATOR = GLASS FILLED POLYESTER PER MIL-M-245 19, UL 94V-0, BLUE.
- CONTACTS = PRECISION MACHINED COPPER ALLOY WITH GOLD OVER NICKEL.
- SHELLS = STEEL WITH TIN PLATE.
- MOUNTING BRACKETS = BRASS WITH TIN PLATE.
- PUSH-ON FASTENERS = BERYLLIUM COPPER WITH TIN PLATE.
- JACKSCREWS = STEEL WITH ZINC PLATE AND DICHROMATE SEAL.

2. ELECTRICAL CHARACTERISTICS :

- CURRENT RATING = 7.5 Amp nominal (SIGNAL) / 15 Amp nominal (POWER).
- INITIAL RESISTANCE = 0.008 ohms max (SIGNAL) / 0.005 ohms max (POWER).
- PROOF VOLTAGE = 1000 V r.m.s.

PROPRIETARY INFORMATION 	POSITRONIC ASIA PTE. LTD. 3014A UBI ROAD 1, #06-07. SINGAPORE 408703. Tel:(65)842-1419/Fax:(65)842-1421/email:posiasia@singnet.com.sg/web:www.positronic.com				
	GENERAL TOLERANCE LINEAR = ±0.38 [0.015] ANGULAR = ±3° ROUGHNESS = -	SERIES COMBO-D	SCALE 2:1	DRAWN YIP	CHECKED
UNLESS OTHERWISE SPECIFIED ALL DIMENSIONS ARE IN MILLIMETERS [INCHES] REMOVE ALL SHARP EDGES GD&T AS PER ASME Y14.5M-1994 AND ISO 1101 IF IN DOUBT, PLEASE ASK!	PART NUMBER CBD9W4M55R8NT2Z				
DATE 08-13-01	DRAWING NUMBER ASK20047			REV. NC	