

SMT Power Inductors – DO1813HC Series



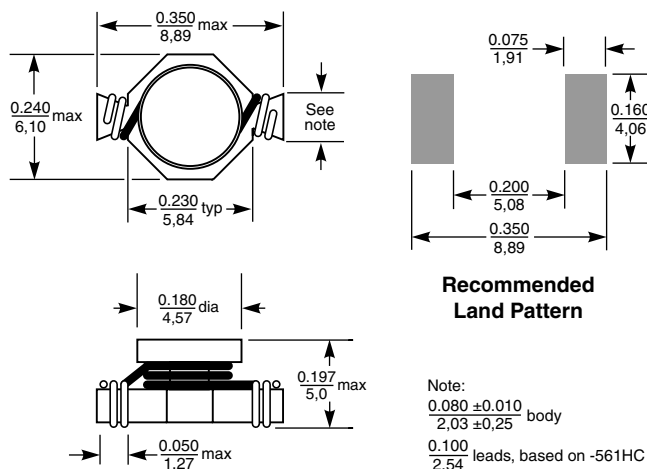
With rms current ratings up to 10 Amps, the DO1813HC Series offers the high current, low inductance values required for high power DC-DC applications.

These inductors are less than 0.2" (5 mm) high. They have very low resistance and a rugged self-leaded construction.

Standard inductance values range from 0.18 to 48 μH and custom values are available to meet specific requirements.

Coilcraft **Designer's Kit C131** contains samples of all inductance values. To order, please contact Coilcraft or order on-line at <http://order.coilcraft.com>.

SPICE models ON OUR WEB SITE OR CD



Weight: 278 – 315 mg
Terminations: Tin/lead over copper
Tape and reel: 1000/13" reel 16 mm tape width
 For packaging data see Tape and Reel Specifications section.

Part number ¹	L ref (μH)	L typ $\pm 20\%$ ² (μH)	DCR max (Ohms)	SRF typ (MHz)	Isat ³ (A)	Irms ⁴ (A)
DO1813P-181HC	0.18	0.18	0.003	800	14.0	10.0
DO1813P-331HC	0.33	0.33	0.004	600	10.0	7.0
DO1813P-561HC	0.56	0.56	0.010	200	7.7	6.0
DO1813P-122HC	1.2	1.15	0.017	140	5.3	4.4
DO1813P-222HC	2.2	2.06	0.035	100	3.5	3.1
DO1813P-332HC	3.3	3.20	0.040	80	3.0	2.7
DO1813P-472HC	4.7	4.70	0.054	50	2.6	2.2
DO1813P-682HC	6.8	6.80	0.080	45	2.2	1.8
DO1813P-103HC	10.0	9.55	0.11	40	1.9	1.5
DO1813P-153HC	15.0	15.3	0.17	30	1.5	1.2
DO1813P-223HC	22.0	22.6	0.25	25	1.2	1.0
DO1813P-333HC	33.0	32.5	0.35	20	0.99	0.82
DO1813P-473HC	47.0	48.1	0.47	15	0.87	0.72

- Part number on reel label may have a B suffix to indicate that reel is not machine ready.
 - Inductance tested at 0.25 Vrms, 100 kHz, 0 Adc.
 - DC current at which the inductance drops 30% (typ) from its value without current.
 - Average current for a 40°C rise above 25°C ambient.
 - Storage and operating temperature -55°C to +125°C.
 - Electrical specifications at 25°C.
- See Qualification Standards section for environmental and test data.

Coilcraft®

Specifications subject to change without notice.

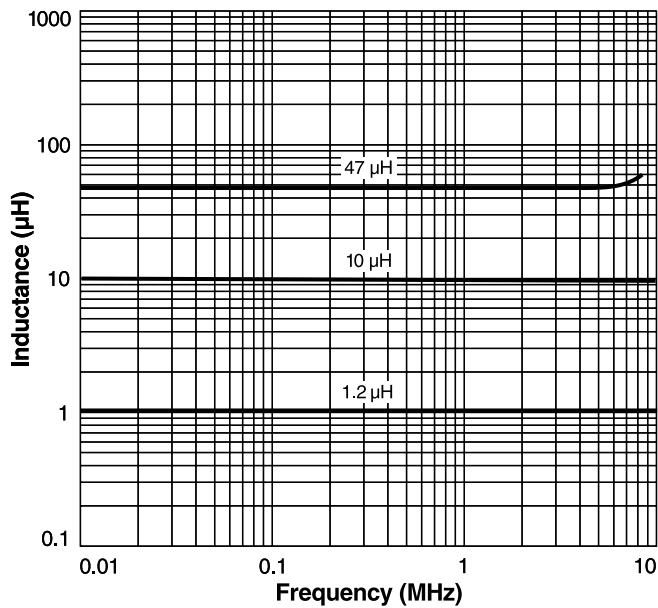
Please check our website for latest information. Document 207-1 Revised 04/28/04

1102 Silver Lake Road Cary, Illinois 60013 Phone 847/639-6400 Fax 847/639-1469

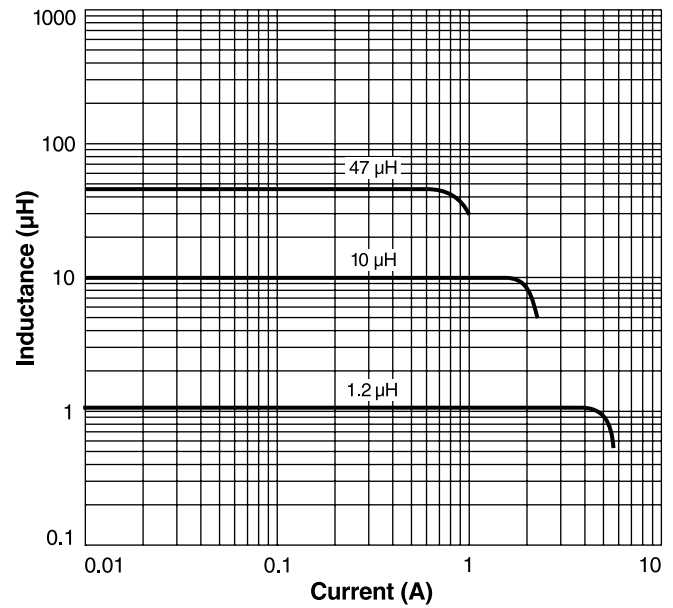
E-mail info@coilcraft.com Web <http://www.coilcraft.com>

SMT Power Inductors - DO1813HC Series

Typical L vs Frequency



Typical L vs Current



Coilcraft[®]

Specifications subject to change without notice.

Please check our website for latest information. Document 207-2 Revised 3/27/01

1102 Silver Lake Road Cary, Illinois 60013 Phone 847/639-6400 Fax 847/639-1469

E-mail info@coilcraft.com Web <http://www.coilcraft.com>