

SMT Power Inductors - DO3316HC Series



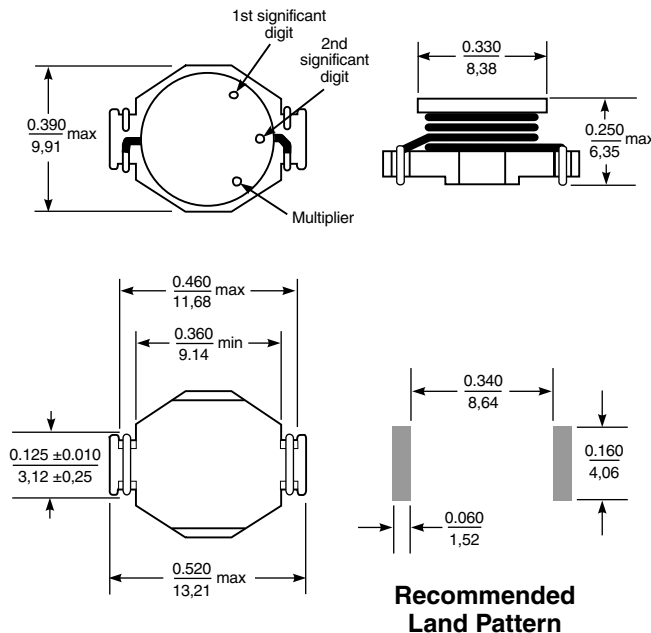
The DO3316HC series has been specially designed for high current, low voltage DC-DC converter applications.

This simple, rugged design provides current ratings normally available only in much larger packages — up to 17 Arms for a 0.12 μH part! With its tinned self-leaded construction, the DO3316HC achieves very low DCR values and excellent solderability. In addition to the standard parts shown, custom values are also available.

The DO3316HC series includes features such as tape and reel packaging and a flat top for pick-and-place handling that are standard in all Coilcraft SMT power products.

Coilcraft **Designer's Kit C126** contains three samples each of the standard parts shown. To order, contact Coilcraft or purchase the kit on-line at <http://order.coilcraft.com>.

SPICE models
ON OUR WEB SITE OR CD



Weight: 0.95 – 1.25 g
Tape and reel: 750/13" reel 24 mm tape width
For packaging data see Tape and Reel Specifications section.

Part number ¹	L $\pm 20\%$ ² (μH)	DCR max (Ohms)	SRF ³ typ (MHz)	Isat ⁴ (A)	Irms ⁵ (A)
DO3316P-121HC	0.12	0.0015	200	28	17
DO3316P-331HC	0.33	0.002	200	20	16
DO3316P-681HC	0.68	0.005	200	13	12
DO3316P-102HC	1.0	0.006	100	11	10
DO3316P-152HC	1.5	0.008	90	9.0	9.0
DO3316P-222HC	2.2	0.011	80	7.8	7.4
DO3316P-272HC	2.7	0.012	65	7.0	6.6
DO3316P-332HC	3.3	0.014	60	6.4	5.9
DO3316P-392HC	3.9	0.015	50	5.9	5.3
DO3316P-472HC	4.7	0.018	45	5.4	4.8

- Part number on reel label may have a B suffix to indicate that the reel is not machine ready.
 - Inductance tested at 100 kHz, 0.1 Vrms, 0 Adc.
 - SRF measured using Agilent/HP 8753D network analyzer.
 - DC current at which the inductance drops 10% (typ) from its value without current.
 - Average current for a 40°C rise above 25°C ambient.
 - Operating temperature range -40°C to +85°C.
 - Electrical specifications at 25°C.
- See Qualification Standards section for environmental and test data.

Coilcraft[®]

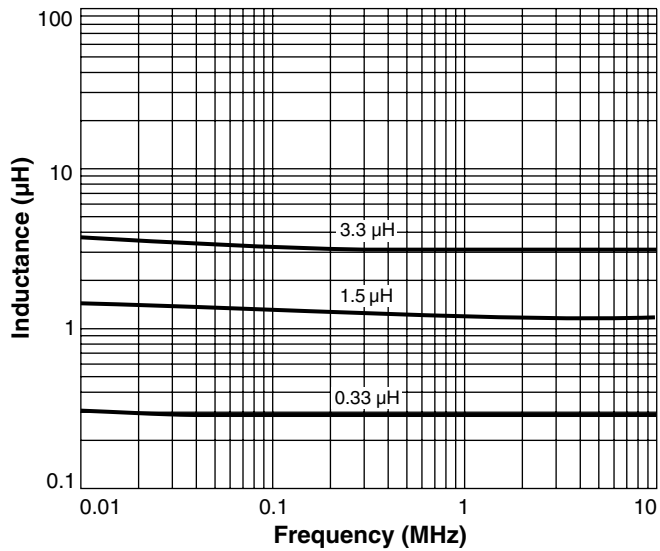
Specifications subject to change without notice. Document 196-1 Revised 10/15/03

1102 Silver Lake Road Cary, Illinois 60013 Phone 847/639-6400 Fax 847/639-1469

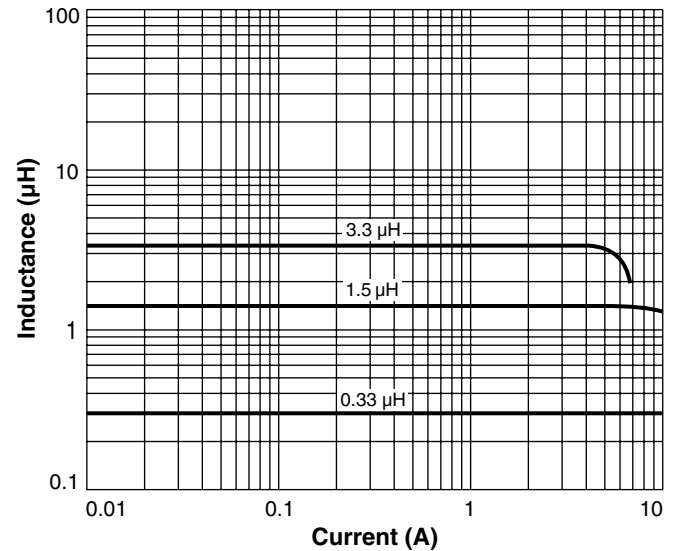
E-mail info@coilcraft.com Web <http://www.coilcraft.com>

SMT Power Inductors - DO3316HC Series

Typical L vs Frequency



Typical L vs Current



Coilcraft[®]

Specifications subject to change without notice. Document 196-2 Revised 4/22/02

1102 Silver Lake Road Cary, Illinois 60013 Phone 847/639-6400 Fax 847/639-1469

E-mail info@coilcraft.com Web <http://www.coilcraft.com>