

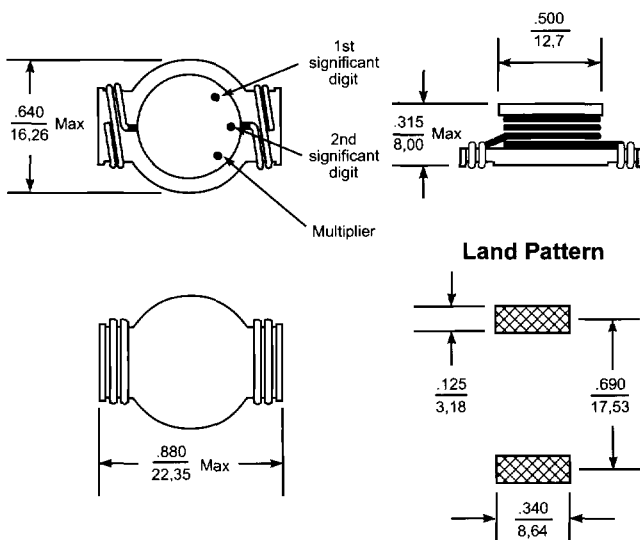
SMT Power Inductors – DO5022HC Series



This family of inductors was designed for high current, low voltage DC-DC converter applications, especially the latest generation of 3.3 V microprocessors. Current ratings up to 15 A rms and saturation currents up to 30 A are available.

These parts are only .315 (8,0) high and have exceptionally low DC resistance thanks to the use of heavier gauge wire. The DO5022HC Series has been optimized for reliable surface mounting with a large flat top and self-leaded design. In addition to the standard parts shown, custom values are available.

Coilcraft **Designer's Kit C113** contains 3 samples each of the standard parts shown. To order, contact Coilcraft.



Parts/reel: 13" 250 Tape width: 44 mm
For packaging data see "Tape and Reel Specifications" (Document 173)

Part Number	Inductance ¹ ($\mu\text{H} \pm 20\%$)	DCR max. (m Ω)	SRF ² (MHz)	Isat ³ (A)	Irms ⁴ (A)
DO5022P-781HC	.78	2.6	156	30	15
DO5022P-152HC	1.5	4.0	100	25	15
DO5022P-222HC	2.2	6.1	75	20	12
DO5022P-332HC	3.3	8.6	60	17	10
DO5022P-392HC	3.9	10	55	15	9.0
DO5022P-472HC	4.7	14	40	13	8.4
DO5022P-602HC	6.0	17	35	12	7.5
DO5022P-782HC	7.8	18	35	11	7.5
DO5022P-103HC	10	26	28	10	6.0

For environmental data see "Product Specifications" (Document 164).

1. Inductance tested at 100 kHz, .1 Vrms.
2. SRF measured using HP8753D network analyzer.
3. Inductance drop = 10% typ. at Isat.
4. $\Delta T = 40^\circ\text{C}$ typ at I rms.
5. Operating temperature range -40°C to $+85^\circ\text{C}$

Coilcraft

Specifications subject to change without notice. Document 181 Revised 11/17/97

1102 Silver Lake Road Cary, Illinois 60013 Phone 847/639-6400 Fax 847/639-1469
E-mail info@coilcraft.com Data by Fax 800/651-6974 Web http://www.coilcraft.com