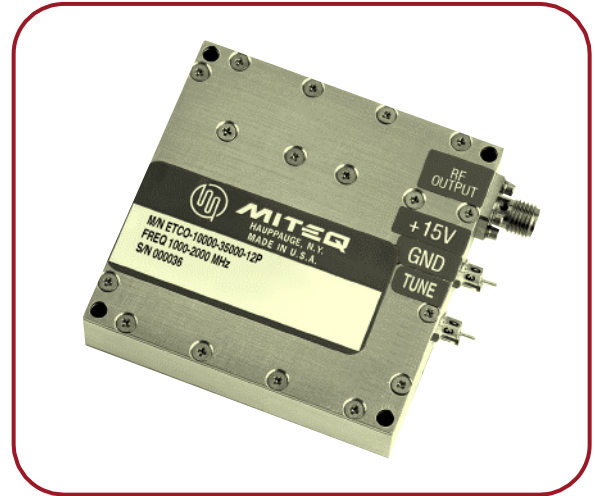


ELECTRICALLY TUNED COAXIAL OSCILLATOR

ETCO SERIES: 0.10–4 GHz (FUNDAMENTAL)

FEATURES

- Flexible design for customer requirements
- Electronically tuned for low noise source
- Up to octave band tuning (to 4 GHz)
- High Q resonator (narrow band units)
- Internal regulation for improved phase noise
- Small package
- 100% temperature testing
- Three-year warranty

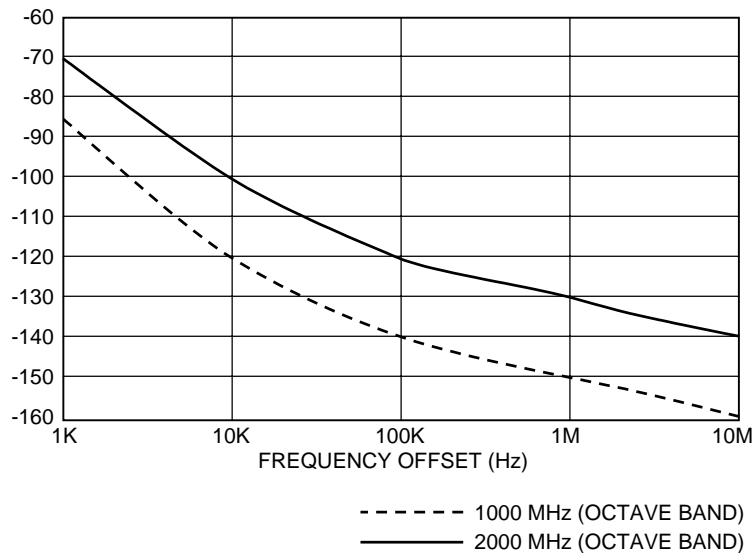


ELECTRICAL SPECIFICATIONS

Output frequency range coverage (in bands)	0.10 –4 GHz
Output power	+13 dBm minimum
Output harmonic	-20 dBc maximum
Output spurious and subharmonics	-50 dBc maximum
Phase noise	See graph
Input tuning voltage (tuning bandwidth related)	0–15 V maximum
Input tuning (modulation) bandwidth	up to 10 MHz maximum
Load VSWR	1.5:1
DC power (typical) Fundamental (to 4 GHz)	+12 to +15 V @ 200 mA

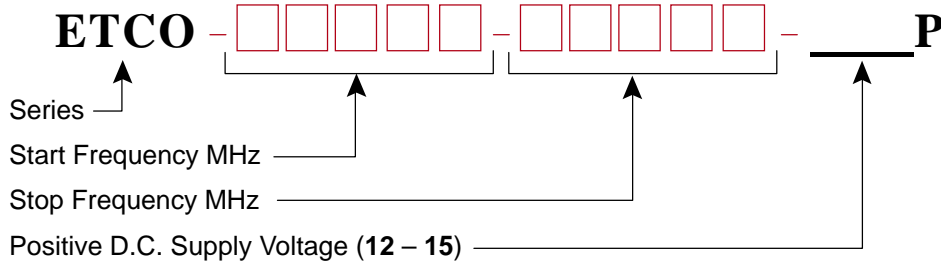
Note: Nonstandard tuning requirements available, please contact MITEQ.
For higher frequencies and extended specifications contact MITEQ.

TYPICAL PHASE NOISE



ELECTRICALLY TUNED COAXIAL OSCILLATOR

ORDERING INFORMATION



Example: Part Number ETCO-1000-2000-12P Electrical Tuned Coaxial Oscillator tunes from 1 GHz to 2.0 GHz with +12 volt supply.

MECHANICAL SPECIFICATIONS

Outline drawing 166335
 Size 2.25" X 2.25" X 0.6"
 Weight 100 grams
 RF connectors SMA female
 K-F (> 18 GHz)
 Voltage input Filtercon
 Tuning input Filtered or non
 (Customer specify)

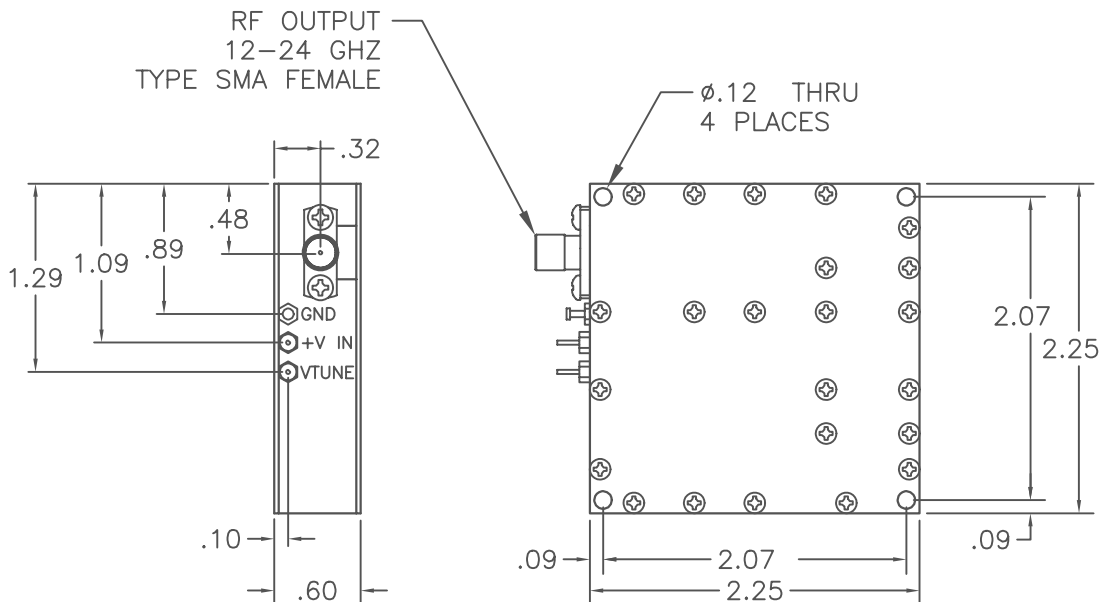
ENVIRONMENTAL SPECIFICATIONS

Temperature
 Operating -10 to +60°C
 Storage -40 to +85°C
 Humidity 95% at 40°C noncondensing
 Shock (survival) 30 g's, 10 ms pulse
 Vibration (survival) 20 to 2000 Hz random to 4 g's rms

Note: Extended temperature ranges available, please contact MITEQ.

OUTLINE DRAWING

166335 ETCO SERIES



NOTE: DIMENSIONS SHOWN IN BRACKETS [] ARE IN MILLIMETERS.

