

PAD	CONNECTION
1	Ground or Freq adjustment
2	Not connected
3	Ground
4	Output
5	Not connected
6	Supply

Scale 3:1

Specifications

GTXO-92T: TCXO, no frequency adjustment

GTXO-92V: TCXO with VC frequency adjustment

Parameters	Variant		Option Codes	
	T	V		
Frequency range:	8.0 ~ 45.0MHz	■	■	
Frequency stability:	±3.0ppm	□	□	K
	±2.5ppm	■	■	J
	±2.0ppm	□	□	H
	±1.5ppm	□	□	G
Temperature range:	0 to +50C	□	□	R
	-10 to +60C	□	□	C
	-20 to +70C	□	□	N
	-30 to +75C	■	■	S
Storage temperature range:	-40 to +85C	■	■	
Frequency vs supply voltage:	±0.2ppm, V _{DD} ±5%	■	■	
Ageing:	±1.0ppm max first year	■	■	
Supply voltage (V _{DD}):	+2.3V ~ +3.6V (see note 1)	■	■	
Supply current:	1.5mA (8.0 ~ 20.0MHz)	■	■	
	2.0mA (20.0 ~ 32.0MHz)	■	■	
	2.5mA (32.0 ~ 45.0MHz)	■	■	
Output waveform:	Clipped sine, 0.8V p-p (see note 2)	■	■	
Test load:	10kΩ // 10pF	■	■	
Start up time:	2.5ms max	■	■	
Frequency adjustment:	None ±8ppm min, +1.5 ±1.0V	■	■	
Phase noise (typ @ 20.0MHz):	-54dBc/Hz @ 1Hz	■	■	
	-86dBc/Hz @ 10Hz	■	■	
	-135dBc/Hz @ 1kHz	■	■	
	-151dBc/Hz @ 100kHz	■	■	
Stability 2hrs after reflow:	±1.0ppm max	■	■	
Preset frequency:	±0.5ppm / +25C ±2C	■	■	

■ Standard. □ Optional - Please specify required code(s) when ordering

Features

- ▶ *Supply voltages from 2.3V ~ 3.6V*
- ▶ *Low power consumption*
- ▶ *Miniature SM package*
- ▶ *Excellent frequency stability*

Standard Frequencies

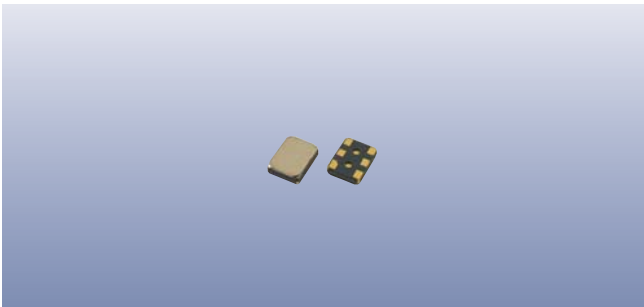
Frequencies in MHz	
8.00000	19.20000
10.00000	19.80000
12.00000	20.00000
12.80000	24.55350
13.00000	26.00000
14.40000	39.00000
16.00000	40.00000
16.36800	44.00000
16.38400	

Other frequencies available. Please consult our sales office.

Ordering Information

Product name + variant + option codes + frequency
 Option codes must be included to properly specify a model.
 eg: **GTXO-92V/JS 13.00MHz** ±2.5ppm -30+75C, TCXO with VC
GTXO-92T/HN 14.40MHz ±2.0ppm -20+70C, TCXO no VC
 Option code X (eg GTXO-92V/X) denotes a custom spec.

- ◆ 1: Will operate within specification on any supply voltage from +2.3V to +3.6V.
- ◆ 2: The output is not DC-free. A coupling capacitor (10nF) may be required.



Construction

- ▮▮▮▮ *Ceramic body with gold-plated pads*
- ▮▮▮▮ *Metal lid, seam sealed*

Composition



This product is lead-free, and is fully compliant with the RoHS directive 2002/95/EC



Packaging & Handling

Production quantities supplied on T & R, 1k or 3k pcs per reel. Small quantities may be supplied on tape (no reel), or in bulk.



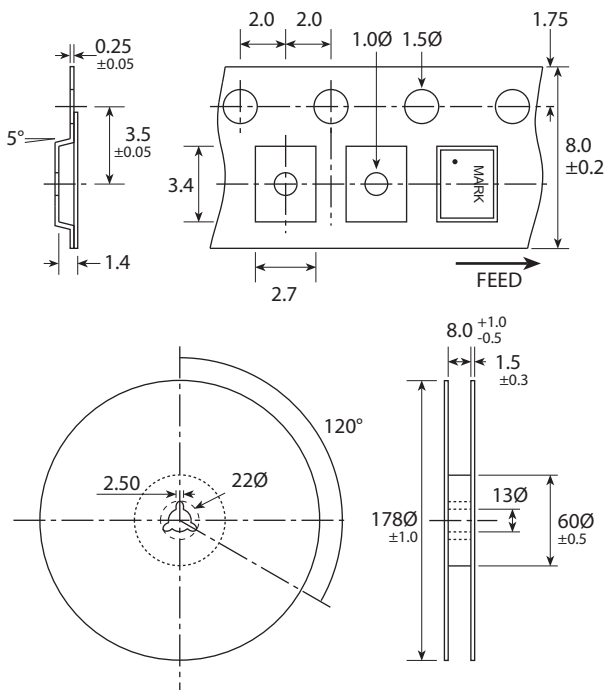
◆ Static sensitive product. Observe proper handling precautions

Marking

S92	DC	Marking type: Laser DC = Date code in YM, eg iCEi = May 2003
FREQUENCY		

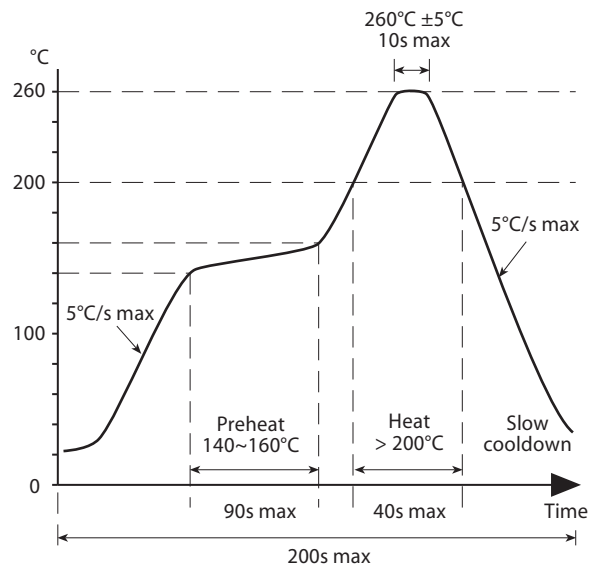
	A	B	C	D	E	F	G	H	J	K	L	M
Y	1	2	3	4	5	6	7	8	9	0		
M	Jan	Feb	Mar	Apr	May	Jun	Jul	Aug	Sep	Oct	Nov	Dec

Tape & Reel Specification



Not to scale. Dimensions in mm. Tolerances ±0.1mm unless otherwise stated

Soldering Profile



Solder resistance: 260C x 10 secs x 2.