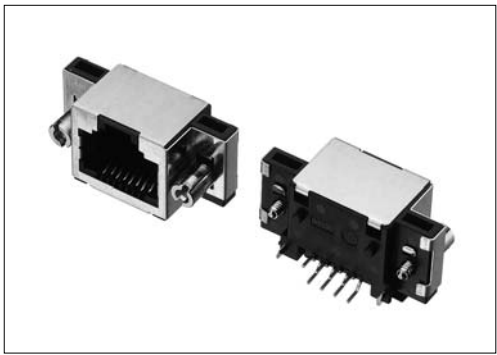


# Straight through hole type modular jack for PCB

## MOD-YSJ88D03C+

**Modular connector**  
**For panel (Screw lock)**  
**Straight through hole**  
**For RJ-45**

RoHS

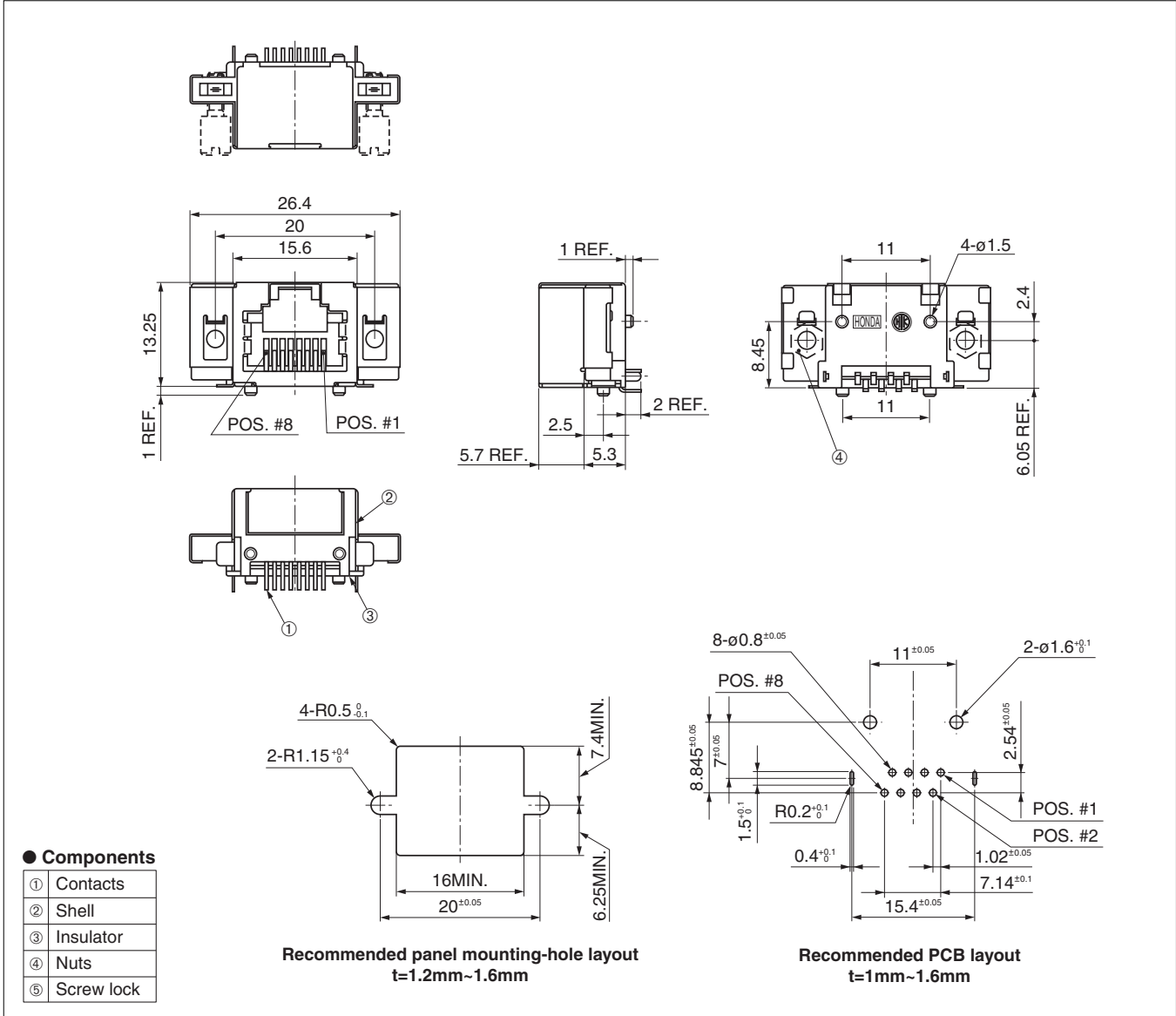


● Configuration of product Part No.

### MOD- YSJ88 D03C+

- ①
- ②
- ③

- ① Series name
- ② 8-8 Jack with shield
- ③ Straight through hole type



Mating connectors: Assembly of MOD-YSP88P03C+ use