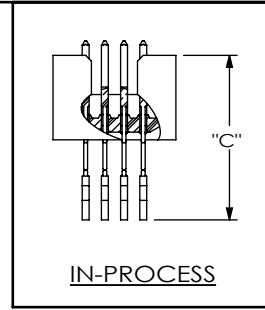


NOTES:

1. $\text{\textcircled{C}}$ REPRESENTS A CRITICAL DIMENSION.
2. MINIMUM PUSHOUT FORCE: .5 LBS.



MOLC-1XX-XX-XX-Q-XX

NO OF POSITIONS
-05 THRU -50

OPTION

-LC: LOCKING CLIP
USE 2 LC-05-TM
(SEE FIGURE 2)

LEAD STYLE (SEE TABLE 1)

- 01: THROUGH HOLE
- 11: THROUGH HOLE
- 31: THROUGH HOLE
- 61: THROUGH HOLE

BODY SPECIFICATION

-Q: FOUR ROW

PLATING SPECIFICATIONS

- P: SELECTIVE, GOLD FLASH PALLADIUM NICKEL WITH TIN ON THE TAIL (SEE TABLE 1)
- S: SELECTIVE GOLD/TIN (SEE TABLE 1)
- SM: HEAVY GOLD SELECTIVE, MATTE TIN TAIL (SEE TABLE 1)
- L: LIGHT SELECTIVE GOLD, MATTE TIN TAIL (SEE TABLE 1)

AH
AH

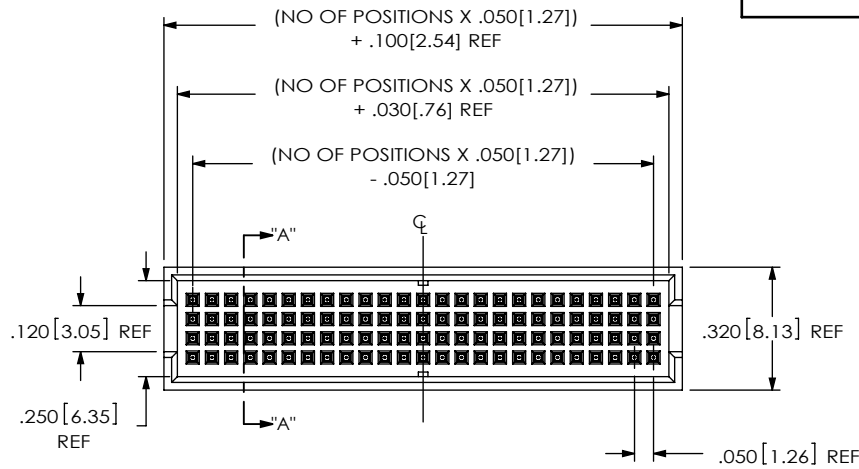


		TABLE 1							
LEAD STYLE	PLATING	"A"	"B"	"C"	"D"	USE TERMINAL	USE BODY	PACKAGING TUBE	PLUG
-01	-P,L	.2200[5.59]	.1335[3.39]	.4285[10.88]	.075[1.91]	T-1R16-01-P-2	MOLC-XX-Q-01	PT-1-24-06-15	TP-09
	-S,-S,M,L					T-1R16-01-X-2			
-11	-P,-S,-S,M,L	.2885[7.33]	.1435[3.65]	.6400[16.26]	.075[1.91]	T-1R20-03-XXX	MOLC-XX-Q-02	PT-1-24-15-29	TP-07
-31	-P,-S,-S,M,L	.4335[11.01]	.1435[3.65]	.6400[16.26]	.075[1.91]	T-1R20-02-XXX	MOLC-XX-Q-04	PT-1-24-01-40	TP-13
-61	-P,-S,-S,M	.2200[5.58]	.1435[3.65]	.6400[16.26]	.140[3.56]	T-1R16-04-XXX	MOLC-XX-Q-01	PT-1-24-15-29	TP-07

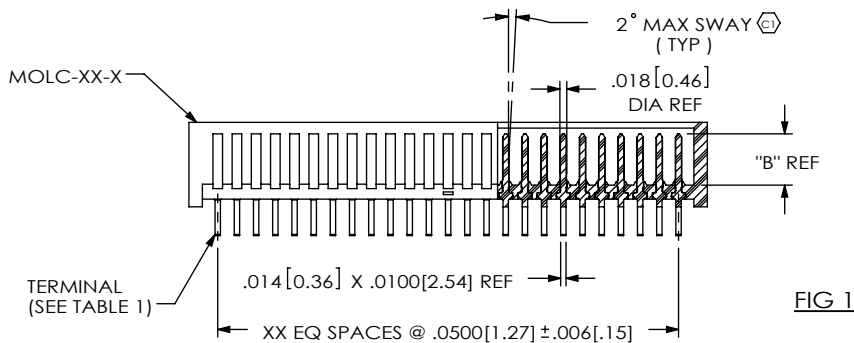
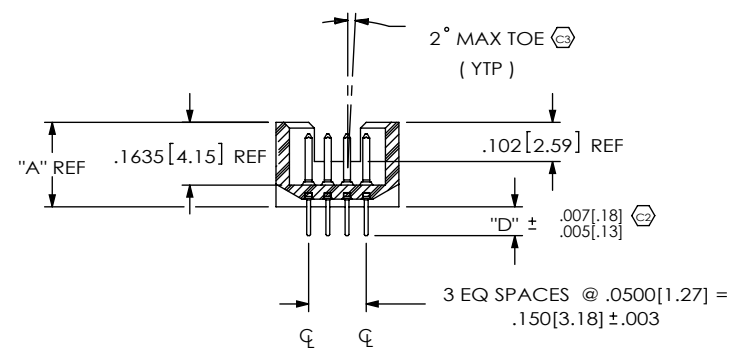


FIG 1



SECTION "A"-"A"

SAME AS FIG. 1 UNLESS OTHERWISE SHOWN

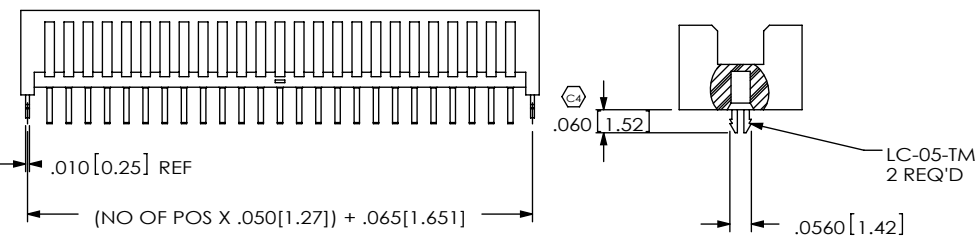


FIG. 2

UNLESS OTHERWISE SPECIFIED, DIMENSIONS ARE IN INCHES.

TOLERANCES ARE:

- DECIMALS: .XX: ±.01 [.3]
- ANGLES: .XXX: ±.005 [.13]
- .XXXX: ±.0020 [.051]

PROPRIETARY NOTE

THIS DOCUMENT CONTAINS INFORMATION CONFIDENTIAL AND PROPRIETARY TO SAMTEC, INC. AND SHALL NOT BE REPRODUCED OR TRANSFERRED TO OTHER DOCUMENTS OR DISCLOSED TO OTHERS OR USED FOR ANY PURPOSE OTHER THAN THAT WHICH IT WAS OBTAINED WITHOUT THE EXPRESSED WRITTEN CONSENT OF SAMTEC, INC.

MATERIAL: DO NOT SCALE DRAWING SHEET SCALE: 2:1

INSULATOR: VECTRA E130, COLOR: BLACK CONTACT OR TERMINAL:



520 PARK EAST BLVD, NEW ALBANY, IN 47150
PHONE: 812-944-6733 FAX: 812-948-5047
e-Mail: info@SAMTEC.com code: 55322

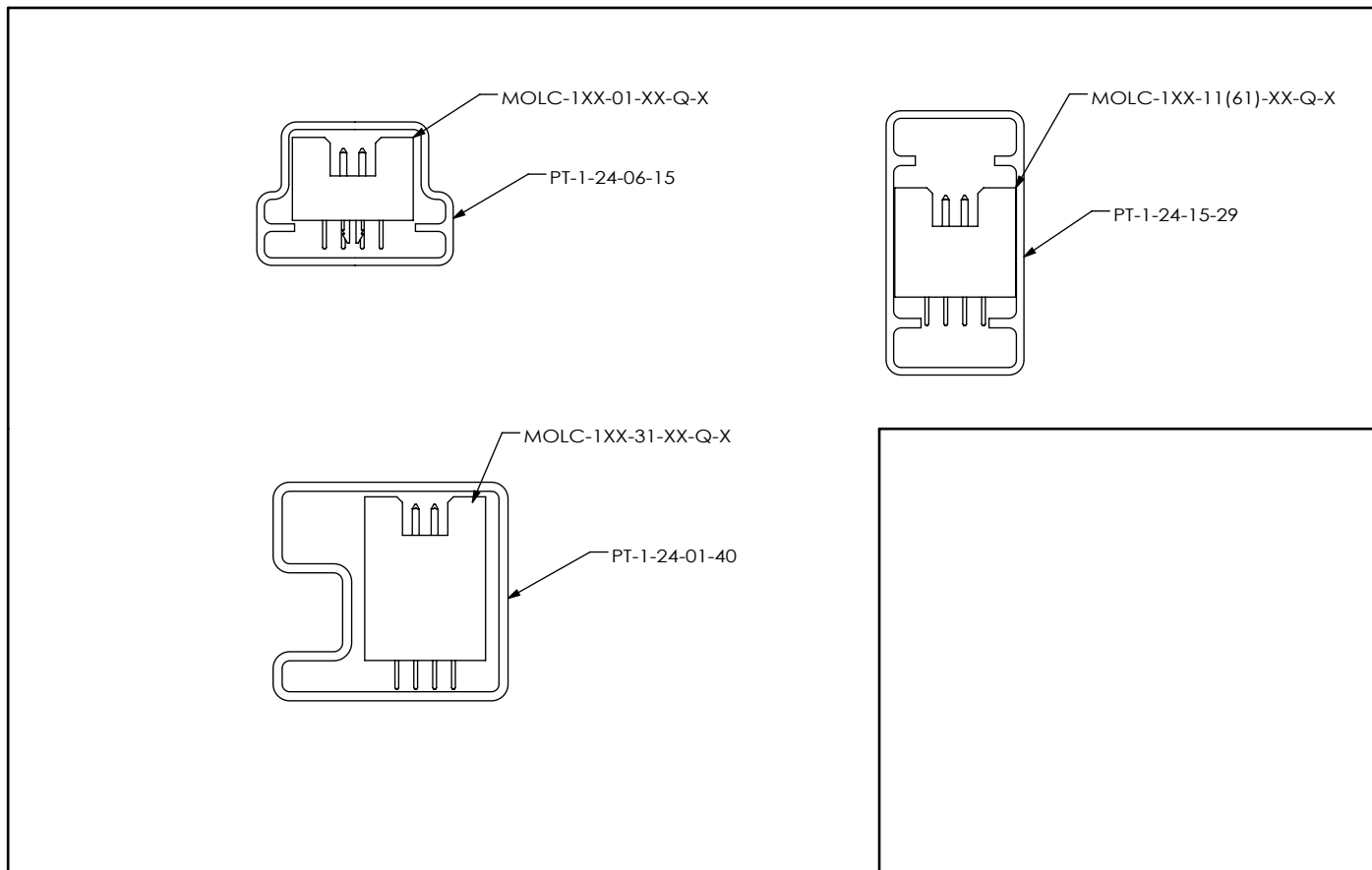
DESCRIPTION: THROUGH HOLE .050 X .050

DWG. NO. MOLC-1XX-XX-XX-Q-XX

BY: T WHELAN 05/23/05

SHEET 1 OF 2

**PACKAGING VIEWS
(REF SHEET 1, TABLE 1)**



UNLESS OTHERWISE SPECIFIED,
DIMENSIONS ARE IN INCHES.
TOLERANCES ARE:
DECIMALS ANGLES
.XX: ±.01 [.3] 2°
.XXX: ±.005 [.13]
.XXXX: ±.0020 [.051]

PROPRIETARY NOTE
THIS DOCUMENT CONTAINS INFORMATION
CONFIDENTIAL AND PROPRIETARY TO
SAMTEC, INC. AND SHALL NOT BE REPRODUCED
OR TRANSFERRED TO OTHER DOCUMENTS OR
DISCLOSED TO OTHERS OR USED FOR ANY
PURPOSE OTHER THAN THAT WHICH IT WAS
OBTAINED WITHOUT THE EXPRESSED WRITTEN
CONSENT OF SAMTEC, INC.



520 PARK EAST BLVD, NEW ALBANY, IN 47150
PHONE: 812-944-6733 FAX: 812-948-5047
e-Mail: info@SAMTEC.com code: 55322

MATERIAL: DO NOT SCALE DRAWING SHEET SCALE: 2:1
INSULATOR: VECTRA E130, COLOR: BLACK
CONTACT OR TERMINAL:
MAX FLASH ALLOWED: .002[.05]
MAX GATE VESTIGE: .002[.05]

DESCRIPTION: THROUGH HOLE .050 X .050
DWG. NO. MOLC-1XX-XX-XX-Q-XX