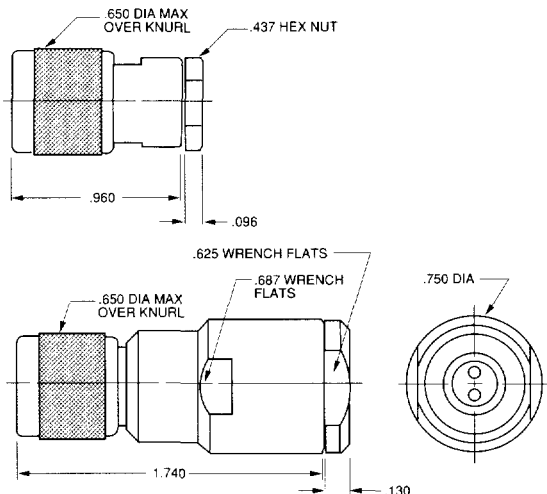
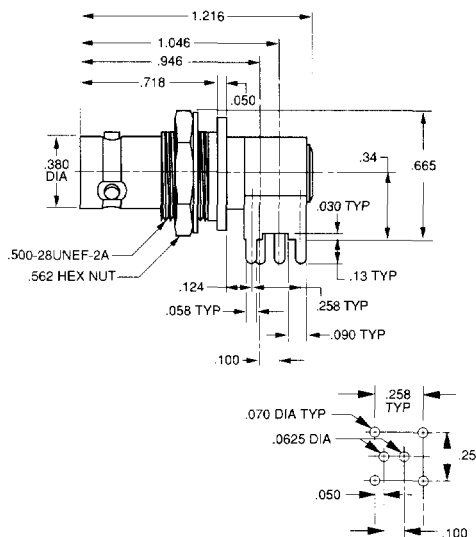


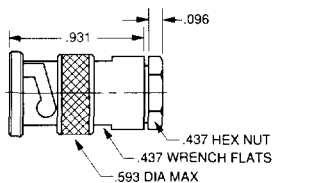
# TWO-PIN POLARIZED 30/330 SERIES TWBNC/TWTNC Mil-C-3655 Interface



**CABLE PLUG**  
TWTNC POSITIVE ALIGNING  
TWO-PIN POLARIZED **PLPA330-** ⚠

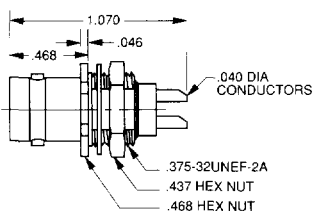


**CIRCUIT BOARD BULKHEAD JACK**  
RIGHT ANGLE-TWO-PIN  
POLARIZED TWINAX (TWBNC)  
Mounting Hole: D3.125 **CBBJR39A**



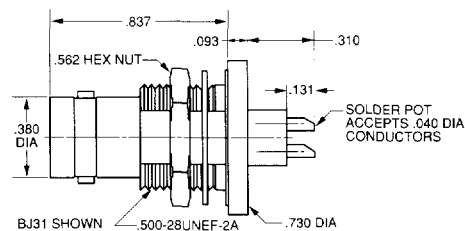
**CABLE PLUG**  
WRENCH CRIMP, TWO-PIN POLARIZED **PL30-** ⚠  
2-lug Threaded **PL330-** ⚠

BJ30 Shown

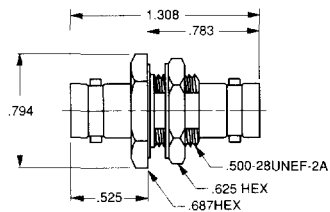


**BULKHEAD JACK**  
FRONT MOUNT, SOLDER POT  
TWO-PIN POLARIZED **BJ30**  
2-lug Threaded **BJ330**  
Mounting Hole: D5.130

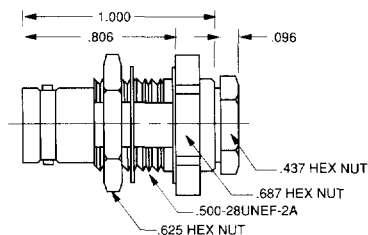
BJ31 Shown



**BULKHEAD JACK**  
REAR MOUNT, SOLDER POT  
TWO-PIN POLARIZED **BJ31**  
2-lug Threaded **BJ331**  
Mounting Hole: D3.280



**FEED-THROUGH JACK**  
TWO-PIN POLARIZED **BJ38**  
2-lug Threaded **BJ338**  
Mounting Hole: D3.160



**BULKHEAD CABLE JACK**  
REAR MOUNT, WRENCH CRIMP  
TWO-PIN POLARIZED **BJ39-** ⚠  
2-lug Threaded **BJ339-** ⚠  
Mounting Hole: D3.218

⚠ - Refers to Cable Group Table, see pages 68-88. "D" mounting holes are on page 45. Note: Only 30/330 Series have two-pin polarizations.