

VCXO-190

Voltage Controlled Crystal Oscillator (TTL Compatible Output)

[Features]

- "Small Size" as small as 0.44cc
(11.4×9.6×3.8mm)
- Hybrid-IC circuit construction

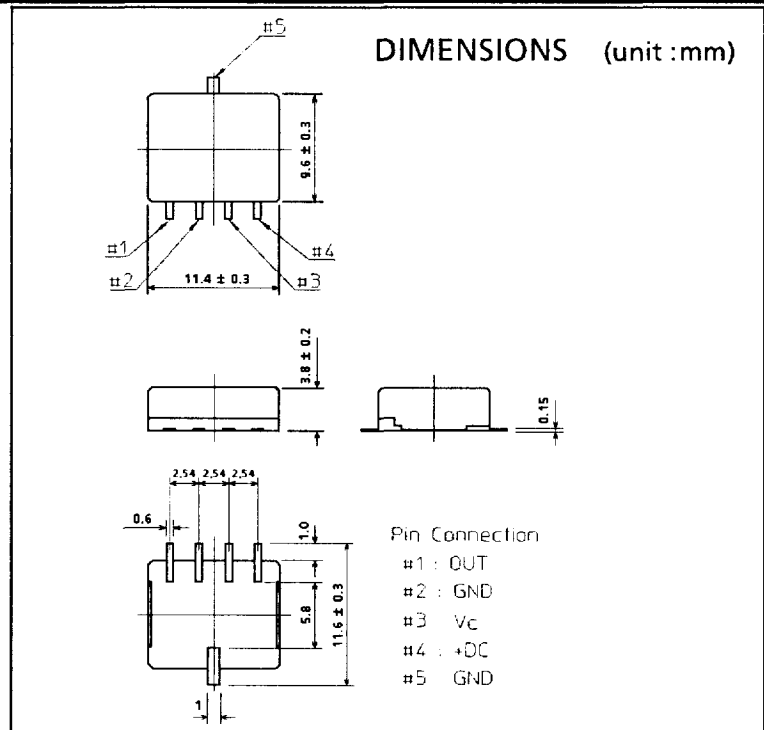
[Typical Application]

- Video System
- VTR Camera

[Standard Frequency]

- 14.318180MHz
- 17.734475MHz
- 28.636360MHz

[Specifications]



MODEL	VCXO-190
Frequency range	14 to 29 MHz
Frequency temperature characteristics	$\pm 30 \times 10^{-6} / -10^{\circ}\text{C to } +60^{\circ}\text{C}$
Operable temperature range	$-10^{\circ}\text{C to } +60^{\circ}\text{C}$
Storage temperature	$-30^{\circ}\text{C to } +80^{\circ}\text{C}$
Frequency aging	$\pm 5 \times 10^{-6}$ max / year
Frequency Deviation	$\pm 50 \times 10^{-6}$ min / +0.0 V to +5.0 V (VC)
Frequency tuning Voltage	+2.5 V \pm 0.5 V (at +25°C)
Power Supply Voltage	+5.0 V \pm 0.25 V
Power Supply Current	15mA max
Frequency vs VCC change	$\pm 7 \times 10^{-6}$ max / +5.0 V \pm 0.25 V
Output Load	HC-MOS or LSTTL 2
Output Level	VOH: +4.5 V min / VOL: +0.5 V max
Output Symmetry	40% to 60% (at +2.5 V DC)
Vibration	10Hz to 55Hz Amplitude 1mm Cycle 1 minute, 3 directions, 1 hours each
Shock	1000 G
Humidity	60°C 95% / RH 1000 hours
Weight	1 gr

* If specifications does not meet your requirements.
We will design a unit to your requirements.

* All specifications and details published are subject to change without notice.

KINSEKI, LIMITED