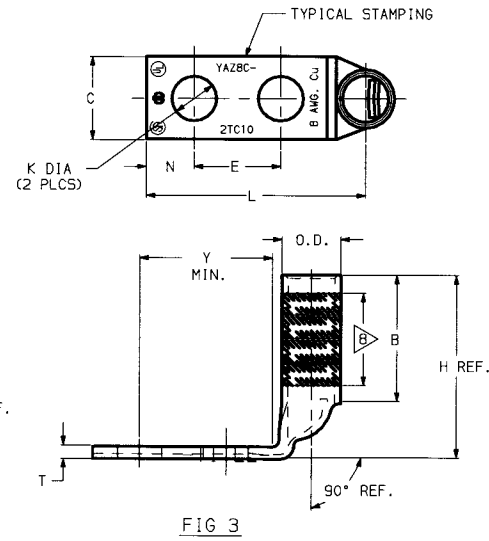
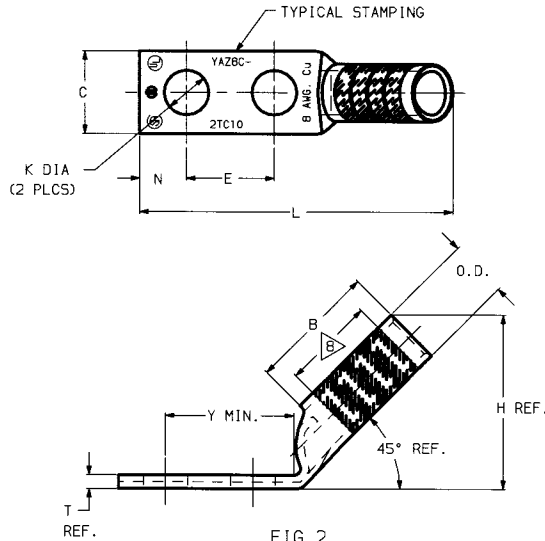
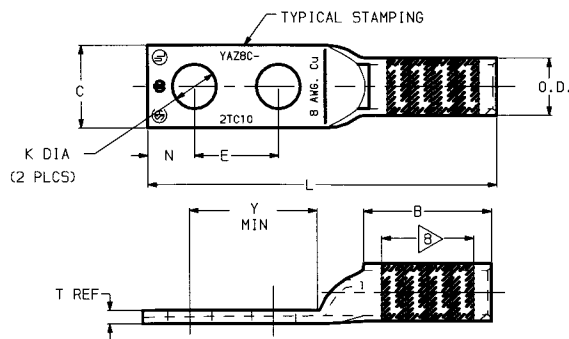


CATALOG NO.	CONDUCTOR		BOLT SIZE	FIG. NO.	DIMENSIONS										INSTALLATION TOOLING (# CRIMPS)										DIELESS (# CRIMPS)	WIRE STRIP LENGTH											
	CODE (AWG)	NAVY			B	C	E	H	K DIA.	L	N	O.D.	T REF.	Y MIN.	DIE INDEX	COLOR CODE	MECHANICAL					HYDRAULIC															
					±.06	±.04	±.02	MAX.	±.02	±.09	±.04	±.01					MD7-34R MD6	OURB40	Y8MRB-1 Y2MR	BCT500 Y500CT	Y750 Y35, BAT35 Y39, BAT750	Y46	Y45														
YAZ8C-2TC10	#8 AWG [10mm ² STR]	23	#10 [MS]	1	.75 [19]	.41 [10]	----	.21 [5]	2.07 [52]	.25 [6]	.27 [7]	.08 [2]	.90 [23]	49	RED	8	8	RED (2)	WBCRT (2)	YUBCRT (2)	Y46UBCRT (2)	Y45UBCRT (2)	MECHANICAL: MY29-11 (1)	7/8													
YAZ8C-2TC10-45				2	.62 [16]	.91 [23]	1.00 [25]	2.00 [51]	1.37 [35]	2.19 [56]	.25 [6]	.27 [7]													.08 [2]	1.03 [26]	49	RED	8	8	RED (2)	WBCRT (2) WBCVT (2)	YUBCRT (2)	Y46UBCRT (2)	Y45UBCRT (2)	MECHANICAL: MY29-11 (1)	7/8
YAZ8C-2TC10-90				3																																	
YAZ8C-2TC10E2	1	.75 [19]	.91 [23]	1.00 [25]	2.19 [56]	1.37 [35]	2.12 [54]	.25 [6]	.27 [7]	.08 [2]	1.03 [26]	49	RED	8	8	RED (2)	WBCRT (2) WBCVT (2)	YUBCRT (2)	Y46UBCRT (2)	Y45UBCRT (2)	MECHANICAL: MY29-11 (1)	7/8															
YAZ8C-2TC10E2-45	2																						.75 [19]	.91 [23]	1.00 [25]	2.12 [54]	1.37 [35]	2.19 [56]	.25 [6]	.27 [7]	.08 [2]	1.03 [26]	49	RED	8	8	RED (2)
YAZ8C-2TC10E2-90	3	.75 [19]	.91 [23]	1.00 [25]	2.12 [54]	1.37 [35]	2.19 [56]	.25 [6]	.27 [7]	.08 [2]	1.03 [26]	49	RED	8	8	RED (2)	WBCRT (2) WBCVT (2)	YUBCRT (2)	Y46UBCRT (2)	Y45UBCRT (2)	MECHANICAL: MY29-11 (1)	7/8															



NOTES:

- MATERIAL: COPPER TUBING.
- FINISH: TIN PLATED
- CATALOG # PT6515 ADAPTOR IS REQUIRED TO USE "U" DIES IN Y45 SERIES TOOLS.
- CATALOG # PUADP-1 ADAPTOR IS REQUIRED TO USE "U" DIES IN Y46 SERIES TOOLS.
- NAVY CABLE SIZE MAY BE OMITTED ON SOME SIZES BECAUSE OF SPACE LIMITATIONS.
- PERMANENT DIE IN TOOLING.
- DIMENSIONS, METRIC WIRE, & METRIC BOLT SIZES IN BRACKETS [] ARE IN MILLIMETERS. DIMENSIONS ARE ROUNDED OFF TO THE NEAREST MILLIMETER, UNLESS OTHERWISE NOTED, AND ARE FOR REFERENCE ONLY.
- OVERLAP 2 CRIMPS AS NEEDED WITHIN THE LENGTH BETWEEN THE INK STAMPED CRIMPING AREA.

TO ORDER BURNDY PRODUCTS CALL 1-800-346-4175
 MANCHESTER, NH 03109, USA
 FOR PRODUCT INFO = <http://www.fciconnect.com>

HYLUG™ (TWO HOLE CODE)

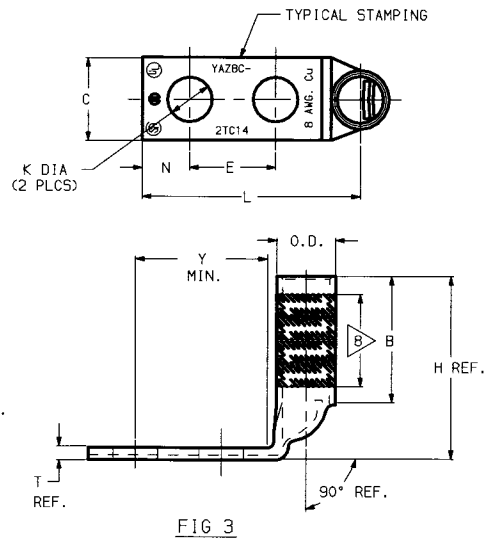
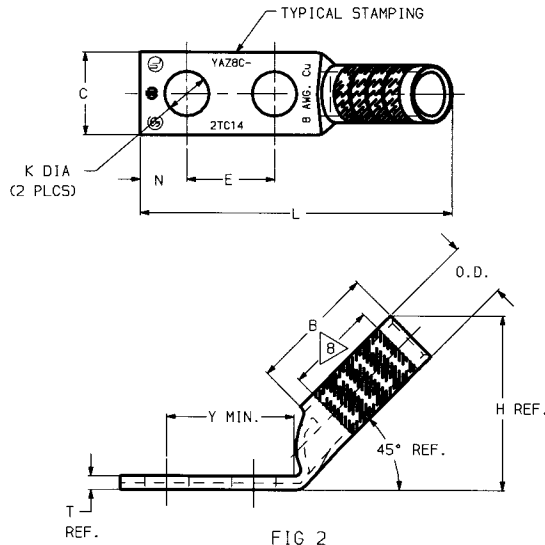
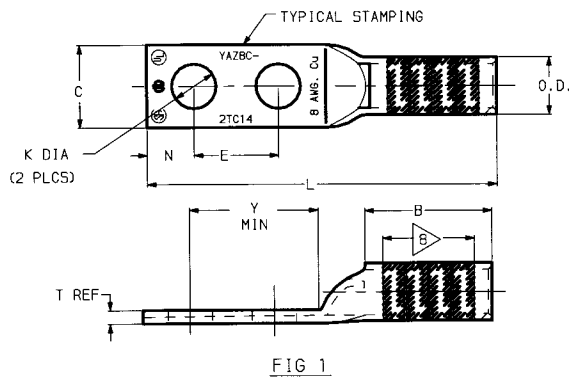
CAT NO. YAZ8C-2TC-	(SEE TABLE)	SCALE	FULL SIZE
DRWN: D. BOISVERT	11/10/98	CHECKED: K. HENRY	12/03/98
DSGN APPVL: B. MACDONALD	12/02/98	HF6 APPVL: N/A	
G.A. APPVL: S. GRAY	11/30/98		
PKTG APPVL: B. HARGROVE	11/25/98		
CAD FILE: SE211915-02_1			
MDL REF: N/A			
DRAWING NO. SE211915		REV. 1	
SHEET 2 OF 36			

1	8/22/00	CHANGED B, H & L DIMS PER ECO 5912	BM	JLM
0	11/10/98	RELEASED PER ECO 4612.	DB	KH
REV.	DATE	DESCRIPTION	BY	C'K'D.



REV. 061595

DRAWING NO. SE211915	7		6		5		4		3		2		1																							
	CONDUCTOR		BOLT SIZE	FIG. NO.	DIMENSIONS								INSTALLATION TOOLING (# CRIMPS)																							
	CODE (AWG)	NAVY			B	C	E	H MAX.	K DIA.	L	N	O.D.	T REF.	Y MIN.	DIE INDEX	COLOR CODE	MECHANICAL		HYDRAULIC		DIELESS (# CRIMPS)	WIRE STRIP LENGTH														
YAZBC-2TC14	#8 AWG [10mm ² STR]	23	1/4 [M6]	1	.75 [19]	.44 [11]	----	.27 [7]	2.19 [56]	.31 [8]	.27 [7]	.08 [2]	.96 [24]	49	RED	8 WBCRT (2) WBCVT (2)	8 XBCRT (2) WBCVT (2)	6 YBMRB-1 Y2MR	8 BCT500 Y500CT	8 Y750 Y35, BAT35 Y39, BAT750	4 Y46	3 Y45	MECHANICAL; MY29-11 (1)	7/8												
2				.75 [19]	.44 [11]	.62 [16]	.90 [23]	.27 [7]	2.11 [54]	.31 [8]	.27 [7]	.08 [2]													1.49 [38]	1.09 [28]	RED (2)	8 WBCRT (2) WBCVT (2)	8 XBCRT (2) WBCVT (2)	8 YBMRB-1 Y2MR	8 BCT500 Y500CT	8 Y750 Y35, BAT35 Y39, BAT750	4 Y46	3 Y45	RED (2)	7/8
3				.75 [19]	.44 [11]	.62 [16]	.90 [23]	.27 [7]	2.11 [54]	.31 [8]	.27 [7]	.08 [2]													1.49 [38]	1.09 [28]	RED (2)	8 WBCRT (2) WBCVT (2)	8 XBCRT (2) WBCVT (2)	8 YBMRB-1 Y2MR	8 BCT500 Y500CT	8 Y750 Y35, BAT35 Y39, BAT750	4 Y46	3 Y45	RED (2)	7/8
1				.75 [19]	.44 [11]	.62 [16]	.90 [23]	.27 [7]	2.32 [59]	.31 [8]	.27 [7]	.08 [2]													1.49 [38]	1.09 [28]	RED (2)	8 WBCRT (2) WBCVT (2)	8 XBCRT (2) WBCVT (2)	8 YBMRB-1 Y2MR	8 BCT500 Y500CT	8 Y750 Y35, BAT35 Y39, BAT750	4 Y46	3 Y45	RED (2)	7/8
2				.75 [19]	.44 [11]	.62 [16]	.90 [23]	.27 [7]	2.24 [57]	.31 [8]	.27 [7]	.08 [2]													1.49 [38]	1.09 [28]	RED (2)	8 WBCRT (2) WBCVT (2)	8 XBCRT (2) WBCVT (2)	8 YBMRB-1 Y2MR	8 BCT500 Y500CT	8 Y750 Y35, BAT35 Y39, BAT750	4 Y46	3 Y45	RED (2)	7/8
YAZBC-2TC14E2	#8 AWG [10mm ² STR]	23	1/4 [M6]	3	.75 [19]	.44 [11]	----	.27 [7]	1.62 [41]	.31 [8]	.27 [7]	.08 [2]	.96 [24]	49	RED	8 WBCRT (2) WBCVT (2)	8 XBCRT (2) WBCVT (2)	6 YBMRB-1 Y2MR	8 BCT500 Y500CT	8 Y750 Y35, BAT35 Y39, BAT750	4 Y46	3 Y45	MECHANICAL; MY29-11 (1)	7/8												
1				.75 [19]	.44 [11]	.62 [16]	.90 [23]	.27 [7]	2.24 [57]	.31 [8]	.27 [7]	.08 [2]													1.09 [28]	RED (2)	8 WBCRT (2) WBCVT (2)	8 XBCRT (2) WBCVT (2)	8 YBMRB-1 Y2MR	8 BCT500 Y500CT	8 Y750 Y35, BAT35 Y39, BAT750	4 Y46	3 Y45	RED (2)	7/8	
3				.75 [19]	.44 [11]	.62 [16]	.90 [23]	.27 [7]	2.24 [57]	.31 [8]	.27 [7]	.08 [2]													1.09 [28]	RED (2)	8 WBCRT (2) WBCVT (2)	8 XBCRT (2) WBCVT (2)	8 YBMRB-1 Y2MR	8 BCT500 Y500CT	8 Y750 Y35, BAT35 Y39, BAT750	4 Y46	3 Y45	RED (2)	7/8	



NOTES:

- MATERIAL: COPPER TUBING.
- FINISH: TIN PLATED
- CATALOG # PT6515 ADAPTOR IS REQUIRED TO USE "U" DIES IN Y45 SERIES TOOLS.
- CATALOG # PUADP-1 ADAPTOR IS REQUIRED TO USE "U" DIES IN Y46 SERIES TOOLS.
- NAVY CABLE SIZE MAY BE OMITTED ON SOME SIZES BECAUSE OF SPACE LIMITATIONS.
- PERMANENT DIE IN TOOLING.
- DIMENSIONS, METRIC WIRE, & METRIC BOLT SIZES IN BRACKETS [] ARE IN MILLIMETERS. DIMENSIONS ARE ROUNDED OFF TO THE NEAREST MILLIMETER, UNLESS OTHERWISE NOTED, AND ARE FOR REFERENCE ONLY.
- OVERLAP 2 CRIMPS AS NEEDED WITHIN THE LENGTH BETWEEN THE INK STAMPED CRIMPING AREA.

REV.	DATE	DESCRIPTION	BY	CHK'D.
1	8/22/00	CHANGED B, H, AND L DIMS PER ECO S912	BM	JLM
0	11/11/98	RELEASED PER ECO 4612.	DB	KH

TO ORDER BURNDY PRODUCTS CALL 1-800-346-4175
MANCHESTER, NH 03109, USA
FOR PRODUCT INFO = <http://www.fciconnect.com>

HYLUG™ (TWO HOLE CODE)

CAT. NO.	YAZBC-2TC- (TABLE)	SCALE	NTS
DRAWN. D.	BOISVERT	11/9/98	CHECKED. K. HENRY
DATE	12/03/98	DESIGN APPVL. B. MCDONALD	12/02/98
MPG APPVL. N/A		C.A. APPVL. S. GRAY	11/30/98
CAD FILE: SE211915-03_1		MDL REF: N/A	
DRAWING NO.		REV	
SE211915		1	
SHEET 3 OF 36			

FCI
FRAMATOME GROUP
BURNDY • RACINE • BILJOO • SAME PRODUCTS

DRAWING NO. SE211915

CATALOG NO.	CONDUCTOR		BOLT SIZE	FIG. NO.	DIMENSIONS										INSTALLATION TOOLING (# CRIMPS)																														
	CODE (AWG)	NAVY			B ±.06	C ±.04	E ±.02	H MAX.	K DIA. ±.02	L ±.09	N ±.04	O.D. ±.01	T REF.	Y MIN.	DIE INDEX	COLOR CODE	MECHANICAL				HYDRAULIC				DIELESS (# CRIMPS)	WIRE STRIP LENGTH																			
																	MD7-34R MD6	OUR840	YBMRB-1 Y2MR	BCT500 Y500CT	Y750 Y35, BAT35 Y39, BAT750	Y46	Y45	W8CRT (2)			X8CRT (2)	W8CVT (2)	X8CVT (2)	W8CRT (2)	U8CRT (2)	U8CRT (2)	U8CRT (2)												
YAZ8C-2TC14E1	#8 AWG [10mm² STR]	23	1/4 [M6]	1	.75 [19]	.44 [11]	1.00 [25]	----	.27 [7]	2.57 [65]	.31 [8]	.27 [7]	.08 [2]	1.34 [34]	49	RED	8	W8CRT (2)	W8CVT (2)	8	X8CRT (2)	W8CVT (2)	8	W8CRT (2)	W8CVT (2)	8	U8CRT (2)	U8CRT (2)	U8CRT (2)	MECHANICAL: MY29-11 (1)	7/8														
2				1.00 [25]	----		2.49 [63]	2.76 [70]																								2.63 [67]	.41 [10]	.06 [2]	1.43 [36]	49	RED	8	W8CRT (2)	W8CVT (2)	8	U8CRT (2)	U8CRT (2)	U8CRT (2)	7/8
3				1.00 [25]	----		2.49 [63]	2.76 [70]																								2.63 [67]	.41 [10]	.06 [2]	1.43 [36]	49	RED	8	W8CRT (2)	W8CVT (2)	8	U8CRT (2)	U8CRT (2)	U8CRT (2)	7/8
YAZ8C-2TC14E1-45	#8 AWG [10mm² STR]	23	3/8 [M10]	1	.75 [19]	.58 [15]	1.00 [25]	----	.40 [10]	2.76 [70]	.41 [10]	.27 [7]	.06 [2]	1.43 [36]	49	RED	8	W8CRT (2)	W8CVT (2)	8	X8CRT (2)	W8CVT (2)	8	W8CRT (2)	W8CVT (2)	8	U8CRT (2)	U8CRT (2)	U8CRT (2)	MECHANICAL: MY29-11 (1)	7/8														
2				1.00 [25]	----		2.49 [63]	2.76 [70]																								2.63 [67]	.41 [10]	.06 [2]	1.43 [36]	49	RED	8	W8CRT (2)	W8CVT (2)	8	U8CRT (2)	U8CRT (2)	U8CRT (2)	7/8
3				1.00 [25]	----		2.49 [63]	2.76 [70]																								2.63 [67]	.41 [10]	.06 [2]	1.43 [36]	49	RED	8	W8CRT (2)	W8CVT (2)	8	U8CRT (2)	U8CRT (2)	U8CRT (2)	7/8

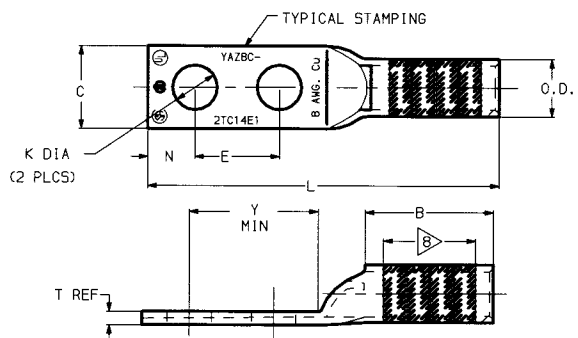


FIG 1

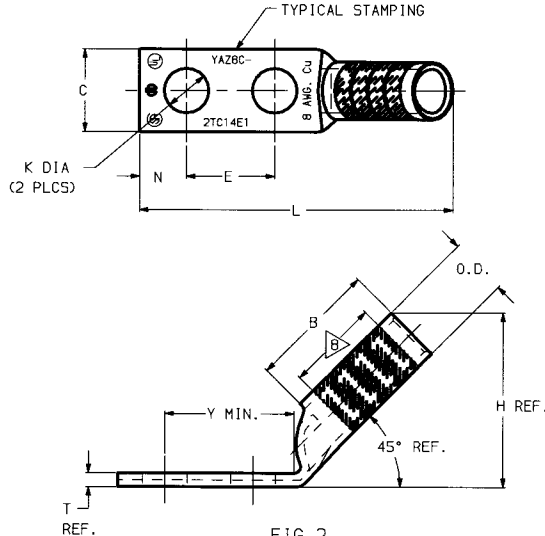


FIG 2

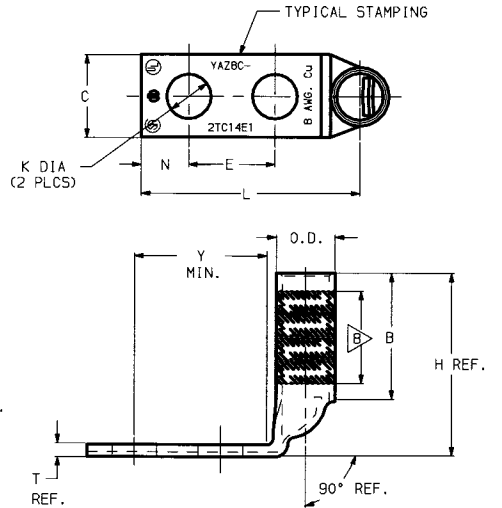


FIG 3

NOTES:

1. MATERIAL: COPPER TUBING.
2. FINISH: TIN PLATED
3. CATALOG # PT6515 ADAPTOR IS REQUIRED TO USE "U" DIES IN Y45 SERIES TOOLS.
4. CATALOG # PUADP-1 ADAPTOR IS REQUIRED TO USE "U" DIES IN Y46 SERIES TOOLS.
5. NAVY CABLE SIZE MAY BE OMITTED ON SOME SIZES BECAUSE OF SPACE LIMITATIONS.
6. PERMANENT DIE IN TOOLING.
7. DIMENSIONS, METRIC WIRE, & METRIC BOLT SIZES IN BRACKETS [] ARE IN MILLIMETERS. DIMENSIONS ARE ROUNDED OFF TO THE NEAREST MILLIMETER, UNLESS OTHERWISE NOTED, AND ARE FOR REFERENCE ONLY.
8. OVERLAP 2 CRIMPS AS NEEDED WITHIN THE LENGTH BETWEEN THE INK STAMPED CRIMPING AREA.

1	8/22/00	CHANGED B,H,L DIMS PER ECO 5912	BM	JLM
0	11/11/98	RELEASED PER ECO 4612.	DB	KH
REV.	DATE	DESCRIPTION	BY	C*K'D.

TO ORDER BURNDY PRODUCTS CALL 1-800-346-4175
 MANCHESTER, NH 03109, USA
 FOR PRODUCT INFO = <http://www.fciconnect.com>

HYLUG™ (TWO HOLE CODE)

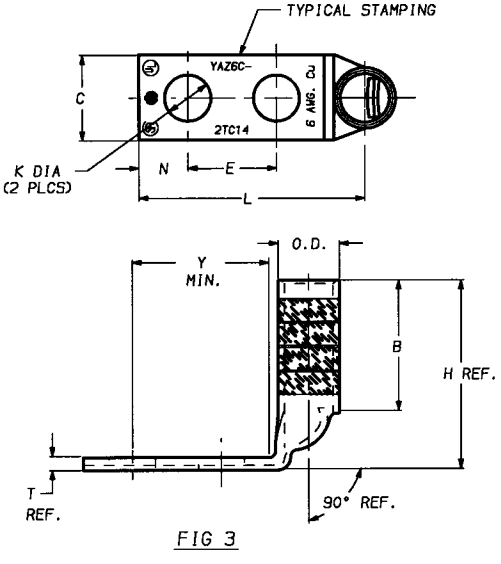
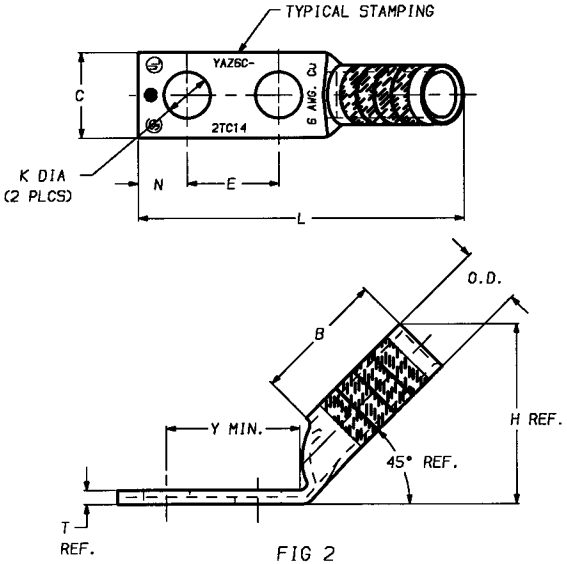
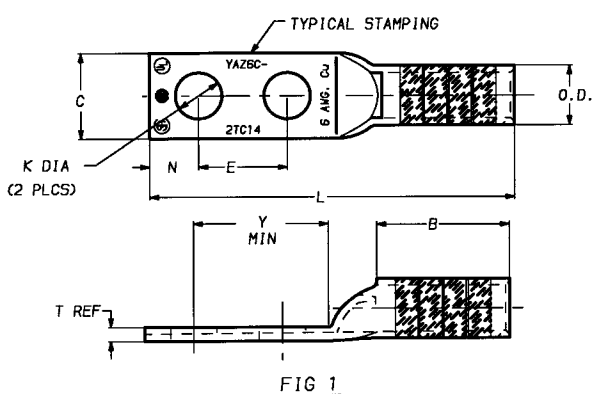
CAT NO. YAZ8C-2TC-	(SEE TABLE)	SCALE FULL SIZE
DRAWN: D. BOISVERT	11/10/98	CHECKED: K. HENRY 12/03/98
DSGN APPVL: B. MACDONALD	12/02/98	MFG APPVL: N/A
		C.A. APPVL: S. GRAY 11/30/98
		PKTG APPVL: B. HARGROVE 11/25/98
		CAD FILE: SE211915-04_1
		MDL REF: N/A

FCI
 FRAMATOME GROUP
 BURNDY • PACINE • MALICO • SA&E Products

DRAWING NO. SE211915
 SHEET 4 OF 36

REV. 06/95

CATALOG NO.	CONDUCTOR		BOLT SIZE	FIG. NO.	DIMENSIONS										INSTALLATION TOOLING (# CRIMPS)										WIRE STRIP LENGTH				
	CODE (AWG)	NAVY			B	C	E	H	K DIA.	L	N	O.D.	T REF.	Y MIN.	DIE INDEX	COLOR CODE	MECHANICAL RATCHET			HYDRAULIC				DIELESS (# CRIMPS)					
																	MD7-34R MD6	OURB40	Y2MR	Y34A	Y750 Y35, BAT35 Y39, BAT750	Y46	Y45						
YAZ6C-2TC14	#6 AWG [-----]	30	1/4 [M6]	1	1.12 [28]	.45 [11]	.62 [16]	---	.27 [7]	2.65 [67]	.31 [8]	.29 [7]	.08 [2]	.96 [24]	7 OR 374	BLUE	W3CVT W3CRT (2)	W3CVT W3CRT (2)	BLUE (2)	A5CR (2)	USCRT UBCABT (2)	USCRT UBCABT (2)	USCRT UBCABT (2)	MECHANICAL: MY29-11 (1)	1-3/16				
YAZ6C-2TC14-45				2				1.19 [30]																		2.45 [62]	2.65 [67]	2.45 [62]	2.65 [67]
YAZ6C-2TC14-90				3				1.50 [38]																		2.65 [67]	2.65 [67]	2.65 [67]	2.65 [67]
YAZ6C-2TC10E2	#6 AWG [-----]	30	#10 [M5]	1	1.12 [28]	.42 [11]	.75 [19]	---	.21 [5]	2.65 [67]	.25 [6]	.29 [7]	.09 [2]	1.03 [26]	7 OR 374	BLUE	W3CVT W3CRT (2)	W3CVT W3CRT (2)	BLUE (2)	A5CR (2)	USCRT UBCABT (2)	USCRT UBCABT (2)	USCRT UBCABT (2)	HYDRAULIC: Y644, Y644M Y644MBH, Y1000 Y1000BH 1 CRIMP	1-3/16				
YAZ6C-2TC10E2-45				2				1.19 [30]																		2.48 [63]	2.65 [67]	2.48 [63]	2.65 [67]
YAZ6C-2TC10E2-90				3				1.52 [39]																		2.65 [67]	2.65 [67]	2.65 [67]	2.65 [67]



- NOTES:**
1. MATERIAL: COPPER TUBING.
 2. FINISH: TIN PLATED
 3. CATALOG # PT6S15 ADAPTOR IS REQUIRED TO USE "U" DIES IN Y45 SERIES TOOLS.
 4. CATALOG # PUADP-1 ADAPTOR IS REQUIRED TO USE "U" DIES IN Y46 SERIES TOOLS.
 5. NAVY CABLE SIZE MAY BE OMITTED ON SOME SIZES BECAUSE OF SPACE LIMITATIONS.
 6. PERMANENT DIE IN TOOLING.
 7. DIMENSIONS, METRIC WIRE, & METRIC BOLT SIZES IN BRACKETS [] ARE IN MILLIMETERS. DIMENSIONS ARE ROUNDED OFF TO THE NEAREST MILLIMETER, UNLESS OTHERWISE NOTED, AND ARE FOR REFERENCE ONLY.
 8. FOR USE BY CUSTOMERS THAT HAVE THIS HYPRESS.™ NO NEW Y34A HYPRESS™ ARE BEING PROCESSED.

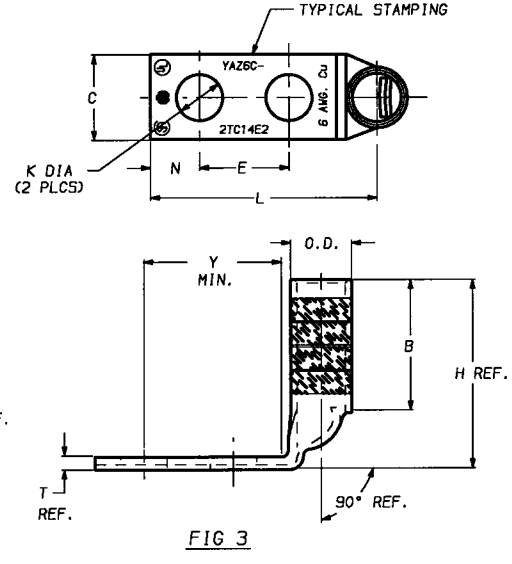
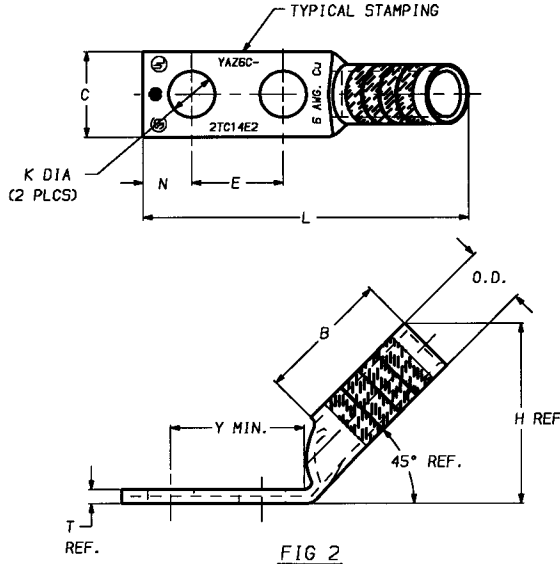
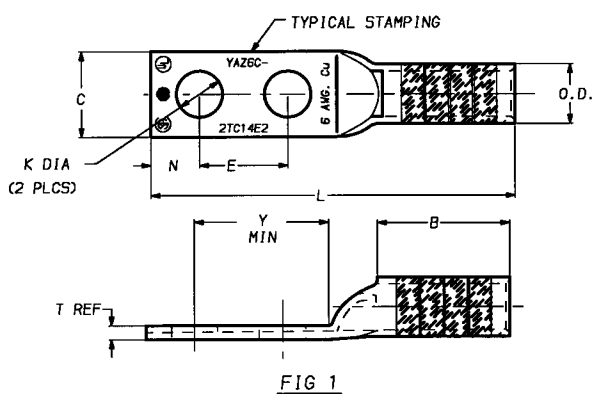
HYLUG™

CAT NO. YAZ6C-2TC- (SEE TABLE)		SCALE
DRAWN: D. BOISVERT 11/11/98		NTS
CHECKED: K. HENRY 12/03/98		
DESIGN APPL. B. MACDONALD 12/02/98	ENG APPL. N/A	
QA APPL. S. GRAY 11/30/98	MKTG APPL. B. HARGROVE 11/25/98	
CAD FILE: SE211915-05_0	PM REF. N/A	
FRAMATOME CONNECTORS USA INC.		IND. REF. N/A
BURNDY ELECTRICAL		PROJECT
MANCHESTER, NH 03108		DRAWING NO.
U. S. A.		SE211915
1-800-346-4175		SHEET 5 of 36

0	11/11/98	RELEASED PER ECD 4612.	DB	KH
REV.	DATE	DESCRIPTION	BY	C/K'D.

REV. 06/95

CATALOG NO.	CONDUCTOR		BOLT SIZE	FIG. NO.	DIMENSIONS										INSTALLATION TOOLING (# CRIMPS)										WIRE STRIP LENGTH												
	CODE (AWG)	NAVY			B ±.03	C +.04 -.02	E ±.02	H REF.	K DIA. ±.02	L ±.06	N ±.04	O.D. ±.01	T REF.	Y MIN.	MECHANICAL RATCHET			HYDRAULIC				DIELESS (# CRIMPS)															
															MD7-34R MD6	OURB40	Y2MR (6)	Y34A (8)	Y750 Y35, BAT35 Y39, BAT750	Y46 (4)	Y45 (3)		DIELESS (# CRIMPS)														
YAZ6C-2TC14E2	#6 AWG [-----]	30	1/4 [M6]	1	1.12 [28]	.45 [11]	---	.27 [7]	2.78 [71]	.31 [8]	.29 [7]	.08 [2]	1.09 [28]	7 OR 374	BLUE	WSCVT WSCRT (2)	WSCVT WSCRT (2)	BLUE (2)	ASCRT (2)	USCRT UBCABT (2)	USCRT UBCABT (2)	USCRT UBCABT (2)	MECHANICAL: MY29-11 (1)	1-3/16													
2				1.19 [30]	---	---	2.58 [66]	---	---	---	---														---	---	---	---	---	---	---	---	---	---	---	---	---
3				1.50 [38]	---	---	1.63 [41]	---	---	---	---														---	---	---	---	---	---	---	---	---	---	---	---	---
YAZ6C-2TC14E2-90	#6 AWG [-----]	30	1/4 [M6]	1	1.12 [28]	.45 [11]	---	.27 [7]	3.03 [77]	.31 [8]	.29 [7]	.08 [2]	1.34 [34]	7 OR 374	BLUE	WSCVT WSCRT (2)	WSCVT WSCRT (2)	BLUE (2)	ASCRT (2)	USCRT UBCABT (2)	USCRT UBCABT (2)	USCRT UBCABT (2)	HYDRAULIC: Y644, Y644M, Y644MBH, Y1000, Y1000BH, 1 CRIMP	1-3/16													
2				1.19 [30]	---	---	2.83 [72]	---	---	---	---														---	---	---	---	---	---	---	---	---	---	---	---	---
3				1.50 [38]	---	---	1.63 [41]	---	---	---	---														---	---	---	---	---	---	---	---	---	---	---	---	---



NOTES:

1. MATERIAL: COPPER TUBING.
2. FINISH: TIN PLATED
3. CATALOG # PT6515 ADAPTOR IS REQUIRED TO USE "U" DIES IN Y45 SERIES TOOLS.
4. CATALOG # PUADP-1 ADAPTOR IS REQUIRED TO USE "U" DIES IN Y46 SERIES TOOLS.
5. NAVY CABLE SIZE MAY BE OMITTED ON SOME SIZES BECAUSE OF SPACE LIMITATIONS.
6. PERMANENT DIE IN TOOLING.
7. DIMENSIONS, METRIC WIRE, & METRIC BOLT SIZES IN BRACKETS [] ARE IN MILLIMETERS. DIMENSIONS ARE ROUNDED OFF TO THE NEAREST MILLIMETER, UNLESS OTHERWISE NOTED, AND ARE FOR REFERENCE ONLY.
8. FOR USE BY CUSTOMERS THAT HAVE THIS HYPRESS.™ NO NEW Y34A HYPRESS™ ARE BEING PROCESSED.

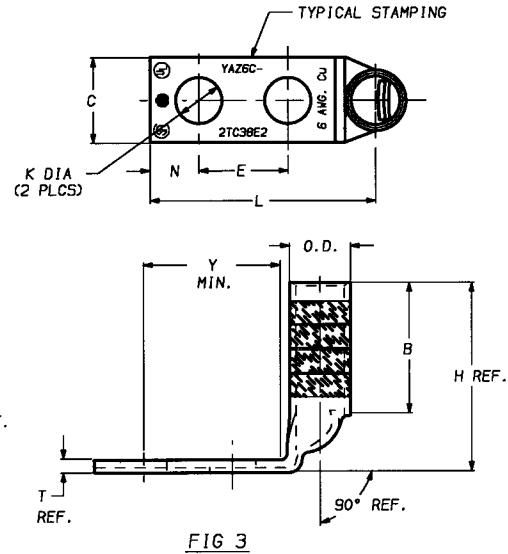
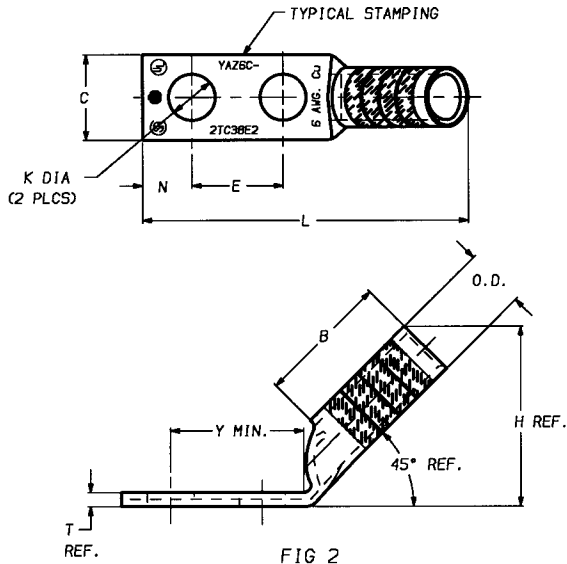
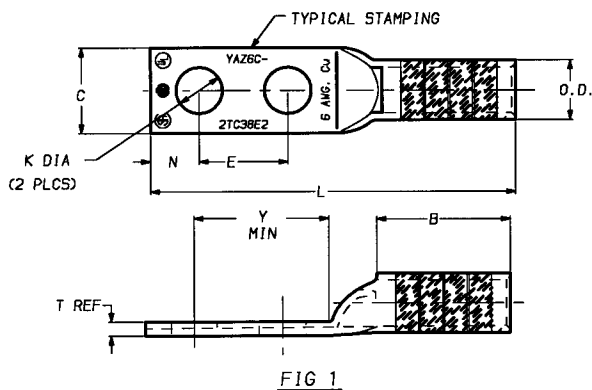
HYLUG™

CAT NO. YAZ6C-2TC- (SEE TABLE)		SCALE
DRAWN: D. BOISVERT 11/11/98		NTS
CHECKED: K. HENRY 12/03/98		
DSGN APPL. B. MACDONALD 12/02/98		MKTG APPL. N/A
Q.A. APPL. S. GRAY 11/30/98		PM REF. N/A
CAD FILE: SE211915-06_0		PROJECT:
FRAMATONE CONNECTORS USA INC.		DRAWING NO.
BURNODY ELECTRICAL		REV
MANCHESTER, NH 03108		SE211915
U. S. A.		SHEET 6 of 36
1-800-346-4175		0

0	11/11/98	RELEASED PER ECO 4612.	DB	KH
REV.	DATE	DESCRIPTION	BY	C'K'D.

REV. 06/95

CATALOG NO.	CONDUCTOR		BOLT SIZE	FIG. NO.	DIMENSIONS											INSTALLATION TOOLING (CRIMPS)										WIRE STRIP LENGTH										
	CODE (AWG)	NAVY			B	C	E	H REF.	K DIA.	L	N	O.D.	T REF.	Y MIN.	DIE INDEX	COLOR CODE	MECHANICAL RATCHET			HYDRAULIC				DIELESS (CRIMPS)												
																	MD7-34R MD6	OURB40	Y2MR	Y34A	Y750 Y35, BAT35 Y39, BAT750	Y46	Y45													
YAZ6C-2TC38E2	#6 AWG [-----]	30	3/8 [M10]	1	1.12 [28]	.58 [15]	---	.40 [10]	2.97 [75]	.41 [10]	.29 [7]	.06 [2]	1.18 [30]	7 OR 374	BLUE	WSCVT WSCRT (2)	WSCVT WSCRT (2)	BLUE (2)	ASCR (2)	USCRT UBCABT (2)	USCRT UBCABT (2)	USCRT UBCABT (2)	MECHANICAL: MY29-11 (1)	1-3/16												
2				1.18 [30]	---	---	2.72 [69]	---	---	---	---	---													---	---	---	---	---	---	---	---	---	---	---	---
3				1.46 [37]	---	---	1.81 [46]	---	---	---	---	---													---	---	---	---	---	---	---	---	---	---	---	---
YAZ6C-2TC38E2-45	#6 AWG [-----]	30	3/8 [M10]	1	1.12 [28]	.58 [15]	---	.40 [10]	2.97 [75]	.41 [10]	.29 [7]	.06 [2]	1.31 [33]	7 OR 374	BLUE	WSCVT WSCRT (2)	WSCVT WSCRT (2)	BLUE (2)	ASCR (2)	USCRT UBCABT (2)	USCRT UBCABT (2)	USCRT UBCABT (2)	HYDRAULIC: Y644, Y644M Y644MBH, Y1000 Y1000BH 1 CRIMP	1-3/16												
2				1.18 [30]	---	---	2.85 [72]	---	---	---	---	---													---	---	---	---	---	---	---	---	---	---	---	---
3				1.46 [37]	---	---	1.94 [49]	---	---	---	---	---													---	---	---	---	---	---	---	---	---	---	---	---



NOTES:

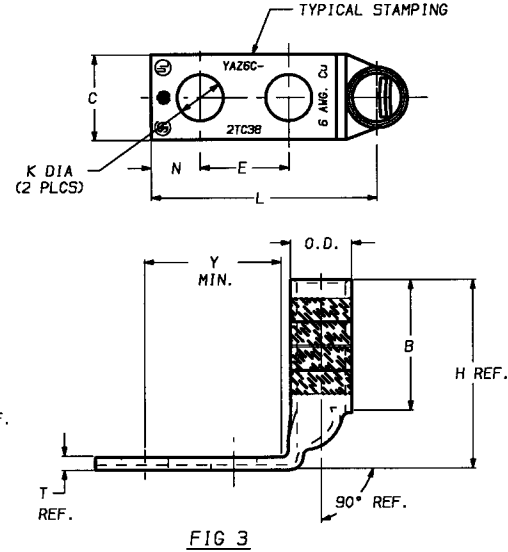
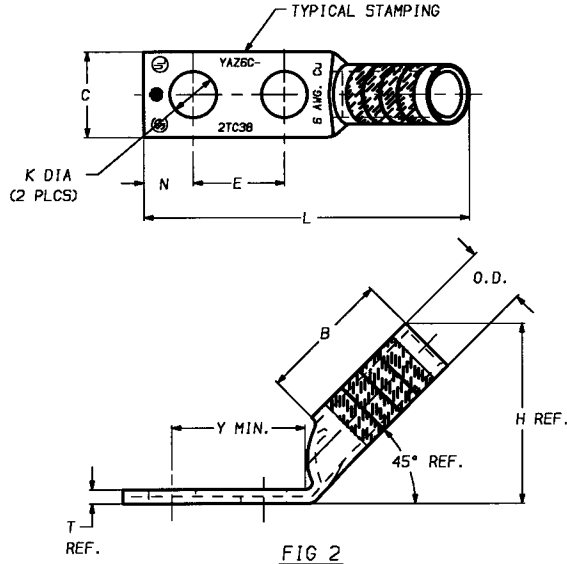
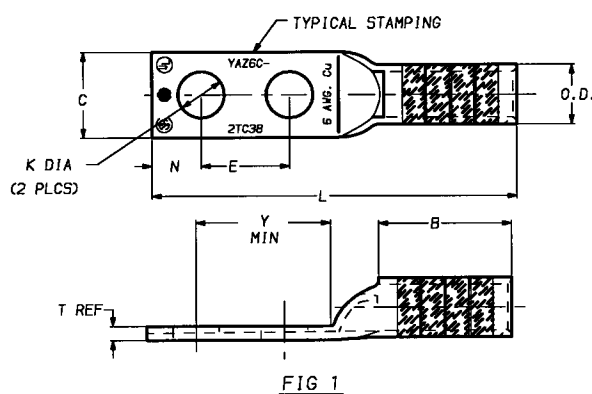
1. MATERIAL: COPPER TUBING.
2. FINISH: TIN PLATED
3. CATALOG # PT6515 ADAPTOR IS REQUIRED TO USE "U" DIES IN Y45 SERIES TOOLS.
4. CATALOG # PUADP-1 ADAPTOR IS REQUIRED TO USE "U" DIES IN Y46 SERIES TOOLS.
5. NAVY CABLE SIZE MAY BE OMITTED ON SOME SIZES BECAUSE OF SPACE LIMITATIONS.
6. PERMANENT DIE IN TOOLING.
7. DIMENSIONS, METRIC WIRE, & METRIC BOLT SIZES IN BRACKETS [] ARE IN MILLIMETERS. DIMENSIONS ARE ROUNDED OFF TO THE NEAREST MILLIMETER, UNLESS OTHERWISE NOTED, AND ARE FOR REFERENCE ONLY.
8. FOR USE BY CUSTOMERS THAT HAVE THIS HYPRESS.™ NO NEW Y34A HYPRESS™ ARE BEING PROCESSED.

HYLUG™

CAT NO. YAZ6C-2TC- (SEE TABLE)		SCALE
DRAWN: D. BOISVERT	11/11/98	CHECKED: K. HENRY 12/03/98
DESIGN APPVL: B. MACDONALD 12/02/98	MFG APPVL: N/A	
S.A. APPVL: S. GRAY 11/30/98	MKTG APPVL: B. HARGROVE 11/25/98	
CAD FILE: SE211915-07_0	MOL REF: N/A	
FRAMATOME CONNECTORS USA INC.	PROJECT:	
BURNDY ELECTRICAL	DRAWING NO.	
MANCHESTER, NH 03108	REV	
U. S. A.	SE211915	
1-800-346-4175	SHEET 7 of 36	

0	11/11/98	RELEASED PER ECO 4612.	DB	KH
REV.	DATE	DESCRIPTION	BY	C'K'D.

CATALOG NO.	CONDUCTOR		BOLT SIZE	FIG. NO.	DIMENSIONS										INSTALLATION TOOLING (# CRIMPS)										WIRE STRIP LENGTH	
	CODE (AWG)	NAVY			B	C	E	H	K DIA.	L	N	O.D.	T REF.	Y MIN.	MECHANICAL RATCHET			HYDRAULIC				DIELESS (# CRIMPS)				
															MD7-34R MD6	OURB40	Y2MR	Y34A	Y750 Y35, BAT35 Y39, BAT750	Y46	Y45					
YAZ6C-2TC38	#6 AWG [----]	30	3/8 [M10]	1					3.22 [82]																MECHANICAL: HY29-11 (1) HYDRAULIC: Y644, Y644M, Y1000, Y1000BH, 1 CRIMP	1-3/16
YAZ6C-2TC38-45				2	1.12 [28]	.58 [15]	1.00 [25]	1.18 [30]	.40 [10]	2.97 [75]	.41 [10]	.29 [7]	.06 [2]	1.43 [36]	7 OR 374	BLUE	WSCVT WSCRT (2)	WSCVT WSCRT (2)	BLUE (2)	A5CR (2)	USCRT UBCABT (2)	USCRT UBCABT (2)	USCRT UBCABT (2)			
YAZ6C-2TC38-90				3			1.46 [37]			2.06 [52]																



NOTES:

1. MATERIAL: COPPER TUBING.
2. FINISH: TIN PLATED
3. CATALOG # PT6515 ADAPTOR IS REQUIRED TO USE "U" DIES IN Y45 SERIES TOOLS.
4. CATALOG # PUADP-1 ADAPTOR IS REQUIRED TO USE "U" DIES IN Y46 SERIES TOOLS.
5. NAVY CABLE SIZE MAY BE OMITTED ON SOME SIZES BECAUSE OF SPACE LIMITATIONS.
6. PERMANENT DIE IN TOOLING.
7. DIMENSIONS, METRIC WIRE, & METRIC BOLT SIZES IN BRACKETS [] ARE IN MILLIMETERS. DIMENSIONS ARE ROUNDED OFF TO THE NEAREST MILLIMETER, UNLESS OTHERWISE NOTED, AND ARE FOR REFERENCE ONLY.
8. FOR USE BY CUSTOMERS THAT HAVE THIS HYPRESS.™ NO NEW Y34A HYPRESS™ ARE BEING PROCESSED.

HYLUG™		SCALE
CAT NO. YAZ6C-2TC- (SEE TABLE)		NYS
DRAWN: D. BOISVERT	11/11/98	CHECKED: K. HENRY 12/03/98
DSGN APPL. B. MACDONALD 12/02/98	MEMO APPL. N/A	
G.A. APPL. S. GRAY 11/30/98	MKTS APPL. B. HARGROVE 11/25/98	
CAD FILE: SE211915-08_0	PN REF. N/A	
FRAMATOME CONNECTORS USA INC.	MDL REF. N/A	
BURNDY ELECTRICAL	PROJECT:	
MANCHESTER, NH 03108	DRAWING NO.	REV
U. S. A.	SE211915	0
1-800-346-4175	SHEET 8	OF 36

REV.	DATE	DESCRIPTION	BY	C'K'D.
0	11/11/98	RELEASED PER ECO 4612.	DB	KH

REV. 061995

CATALOG NO.	CONDUCTOR		BOLT SIZE	FIG. NO.	DIMENSIONS									INSTALLATION TOOLING (# CRIMPS)										DIELESS (# CRIMPS)	WIRE STRIP LENGTH							
	CODE (AWG)	NAVY			B	C	E	H	K DIA.	L	N	O.D.	T REF.	Y MIN.	DIE INDEX	COLOR CODE	MECHANICAL RATCHET				HYDRAULIC											
																	MD7-34R MD6	OUR840 BCT500	Y2MR	Y34A	Y750 Y35,BAT35 Y39,BAT750	Y46	Y45									
YAZ4C-2TC10E2	#4 AWG [----]	40	#10 [M5]	1	1.12 [28]	.49 [12]	.75 [19]	----	.21 [5]	2.67 [68]	.25 [6]	.34 [9]	.09 [2]	1.02 [26]	8 OR 346	GRAY	W4CVT W4CRT (2)	W4CVT W4CRT (2)	GRAY (4)	A4CR A6CAB (2)	U4CRT U6CABT (2)	U4CRT U6CABT (2)	U4CRT U6CABT (2)	MECHANICAL: MY29-11 (1) HYDRAULIC: Y644, Y644M, Y1000, Y1000BH (1)	1-3/16							
YAZ4C-2TC10E2-45				2	1.24 [31]	1.54 [39]		2.49 [63]		2.67 [68]							2.49 [63]	1.54 [39]	2.80 [71]	.31 [8]	.96 [24]	W4CVT W4CRT (2)	W4CVT W4CRT (2)			GRAY (4)	A4CR A6CAB (2)	U4CRT U6CABT (2)	U4CRT U6CABT (2)	U4CRT U6CABT (2)		
YAZ4C-2TC10E2-90				3	1.54 [39]	2.49 [63]		1.54 [39]		2.80 [71]							.31 [8]	.96 [24]	W4CVT W4CRT (2)	W4CVT W4CRT (2)	GRAY (4)	A4CR A6CAB (2)	U4CRT U6CABT (2)			U4CRT U6CABT (2)	U4CRT U6CABT (2)					
YAZ4C-2TC14	#4 AWG [----]	40	1/4 [M6]	1	1.12 [28]	.49 [12]	.62 [16]	----	.27 [7]	2.67 [68]	.31 [8]	.34 [9]	.09 [2]	1.09 [28]	8 OR 346	GRAY	W4CVT W4CRT (2)	W4CVT W4CRT (2)	GRAY (4)	A4CR A6CAB (2)	U4CRT U6CABT (2)	U4CRT U6CABT (2)	U4CRT U6CABT (2)			MECHANICAL: MY29-11 (1) HYDRAULIC: Y644, Y644M, Y1000, Y1000BH (1)	1-3/16					
YAZ4C-2TC14-45				2	1.24 [31]	1.54 [39]		2.49 [63]		2.67 [68]							2.49 [63]	1.54 [39]	2.80 [71]	.31 [8]	.96 [24]	W4CVT W4CRT (2)	W4CVT W4CRT (2)					GRAY (4)	A4CR A6CAB (2)	U4CRT U6CABT (2)	U4CRT U6CABT (2)	U4CRT U6CABT (2)
YAZ4C-2TC14-90				3	1.54 [39]	2.49 [63]		1.54 [39]		2.80 [71]							.31 [8]	.96 [24]	W4CVT W4CRT (2)	W4CVT W4CRT (2)	GRAY (4)	A4CR A6CAB (2)	U4CRT U6CABT (2)					U4CRT U6CABT (2)	U4CRT U6CABT (2)			
YAZ4C-2TC14E2	#4 AWG [----]	40	1/4 [M6]	1	1.12 [28]	.49 [12]	.75 [19]	----	.27 [7]	2.67 [68]	.31 [8]	.34 [9]	.09 [2]	1.09 [28]	8 OR 346	GRAY	W4CVT W4CRT (2)	W4CVT W4CRT (2)	GRAY (4)	A4CR A6CAB (2)	U4CRT U6CABT (2)	U4CRT U6CABT (2)	U4CRT U6CABT (2)					MECHANICAL: MY29-11 (1) HYDRAULIC: Y644, Y644M, Y1000, Y1000BH (1)	1-3/16			
YAZ4C-2TC14E2-45				2	1.24 [31]	1.54 [39]		2.49 [63]		2.67 [68]							2.49 [63]	1.54 [39]	2.80 [71]	.31 [8]	.96 [24]	W4CVT W4CRT (2)	W4CVT W4CRT (2)							GRAY (4)	A4CR A6CAB (2)	U4CRT U6CABT (2)
YAZ4C-2TC14E2-90				3	1.54 [39]	2.49 [63]		1.54 [39]		2.80 [71]							.31 [8]	.96 [24]	W4CVT W4CRT (2)	W4CVT W4CRT (2)	GRAY (4)	A4CR A6CAB (2)	U4CRT U6CABT (2)	U4CRT U6CABT (2)	U4CRT U6CABT (2)							

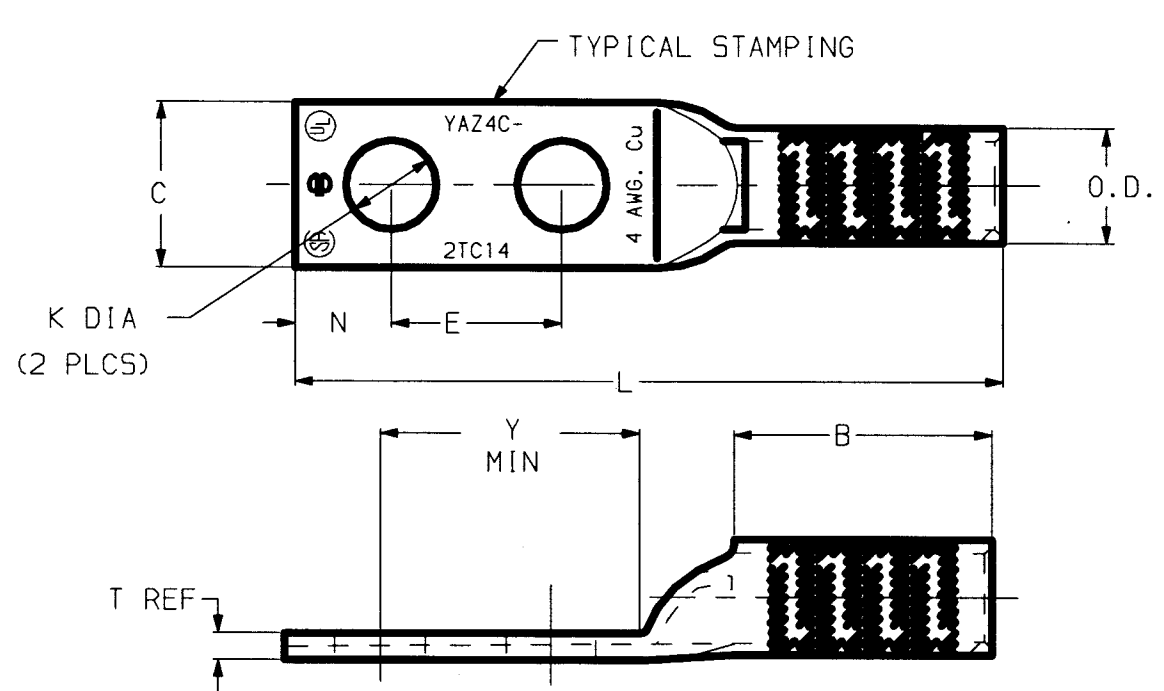


FIG 1

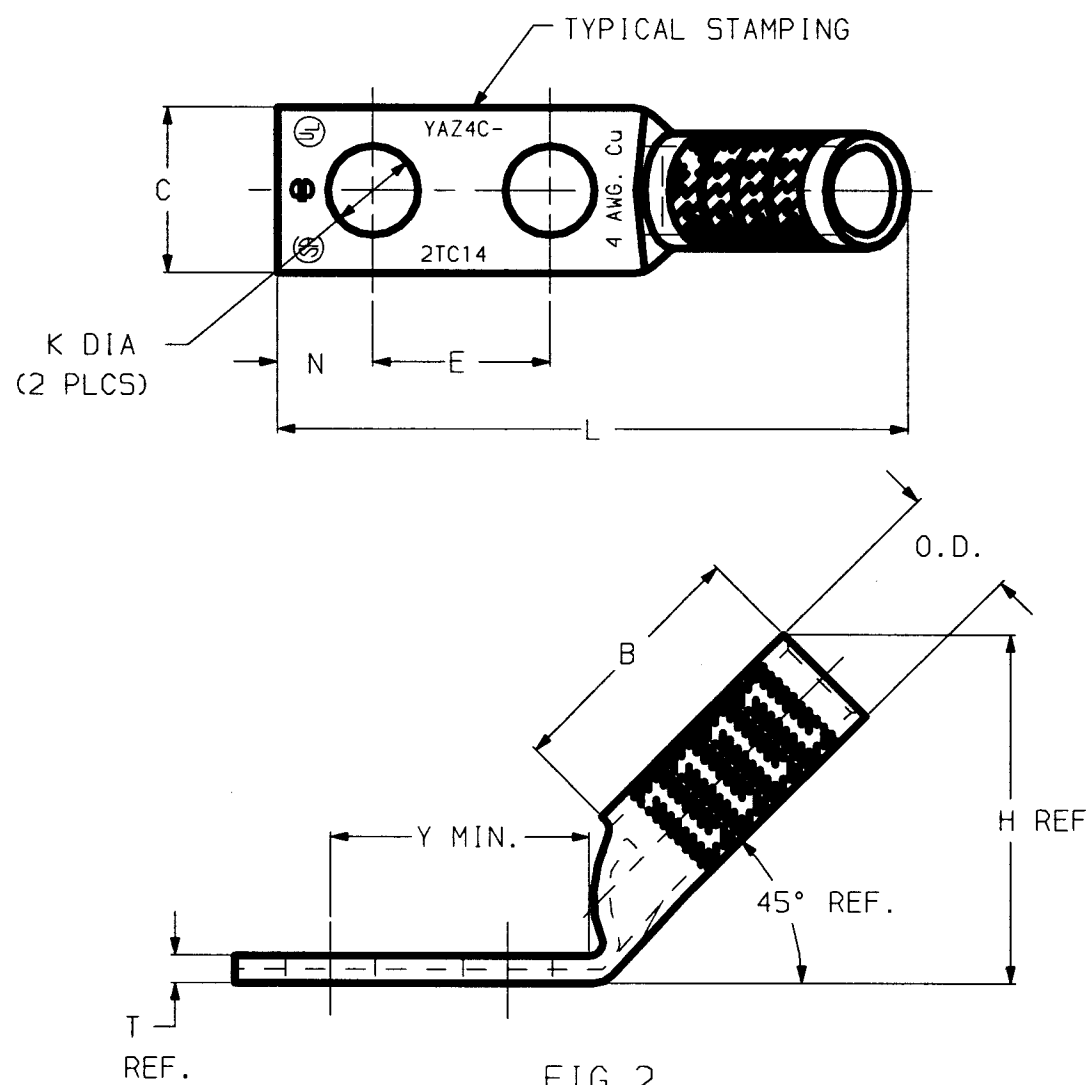


FIG 2

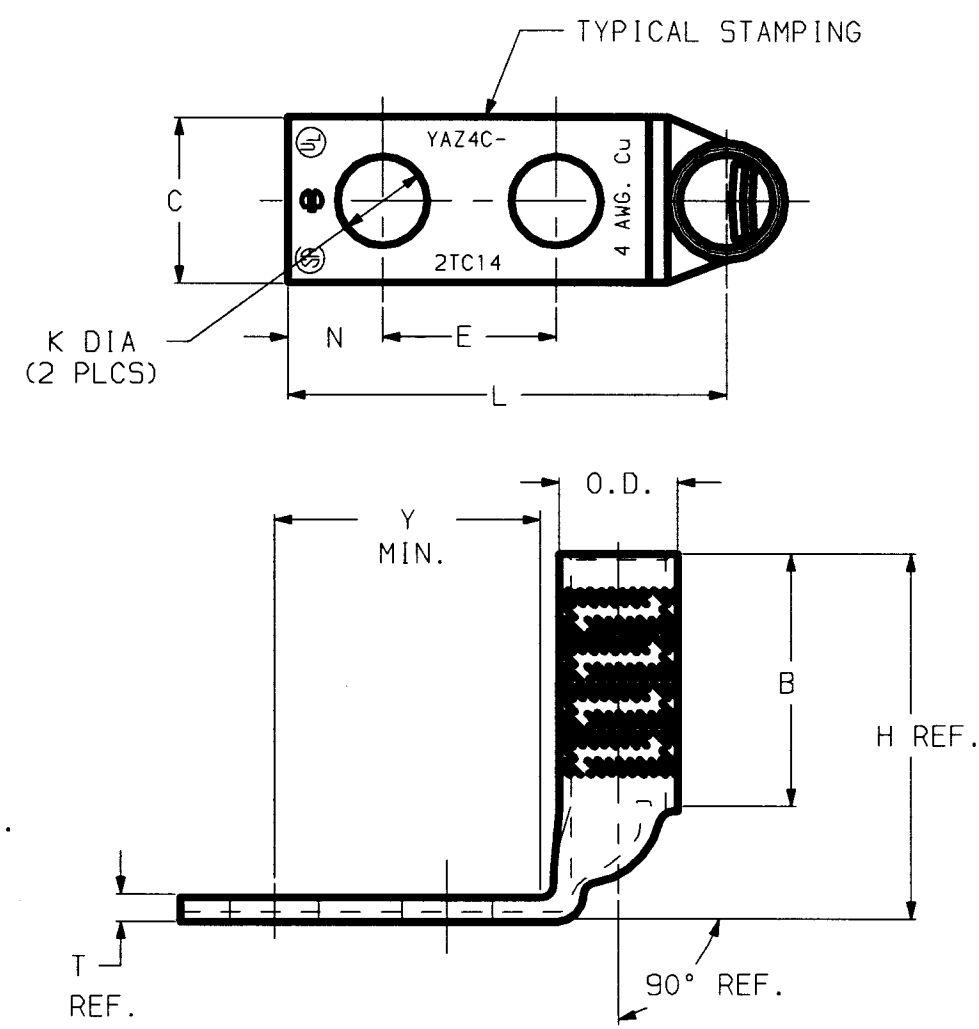


FIG 3

- NOTES:
- MATERIAL: COPPER TUBING.
 - FINISH: TIN PLATED
 - CATALOG # PT6515 ADAPTOR IS REQUIRED TO USE "U" DIES IN Y45 SERIES TOOLS.
 - CATALOG # PUADP-1 ADAPTOR IS REQUIRED TO USE "U" DIES IN Y46 SERIES TOOLS.
 - NAVY CABLE SIZE MAY BE OMITTED ON SOME SIZES BECAUSE OF SPACE LIMITATIONS.
 - PERMANENT DIE IN TOOLING.
 - DIMENSIONS, METRIC WIRE, & METRIC BOLT SIZES IN BRACKETS [] ARE IN MILLIMETERS. DIMENSIONS ARE ROUNDED OFF TO THE NEAREST MILLIMETER, UNLESS OTHERWISE NOTED, AND ARE FOR REFERENCE ONLY.
 - FOR USE BY CUSTOMERS THAT HAVE THIS HYPRESS.™ NO NEW Y34A HYPRESS™ ARE BEING PROCESSED.
 - BATTERY OPERATED TOOLS.

HYLUG™

CAT NO: YAZ4C-2TC- (SEE TABLE)		SCALE NTS	
DRAWN: D. BOISVERT	11/11/98	CHECKED: K. HENRY	12/03/98
DSGN APPVL: B. MACDONALD	12/02/98	MFG APPVL: N/A	
Q.A. APPVL: S. GRAY	11/30/98	MKTG APPVL: B. HARGROVE	11/25/98
CAD FILE: SE211915-09_1		PH REF: N/A	
		MDL REF: N/A	
		PROJECT:	
		DRAWING NO.	REV
		SE211915	1
		SHEET 9	OF 36

FCI
FRAMATOME GROUP

REV.	DATE	DESCRIPTION	BY	C'K'D.
1	1/25/00	ADD CAT. #'S YAZ4C-2TC10E2, -45, -90 AND NOTE 9 PER ECO 5397.	DB	BM
0	11/11/98	RELEASED PER ECO 4612.	DB	KH

REV. 061995

CATALOG NO.	CONDUCTOR		BOLT SIZE	FIG. NO.	DIMENSIONS										INSTALLATION TOOLING (# CRIMPS)										WIRE STRIP LENGTH		
	CODE (AWG)	NAVY			B	C	E	H	K DIA.	L	N	O.D.	T REF.	Y MIN.	DIE INDEX	COLOR CODE	MECHANICAL RATCHET			HYDRAULIC				DIELESS (# CRIMPS)			
					$\pm .06$	$\pm .04$	$\pm .02$	REF.	$\pm .02$	$\pm .09$	$\pm .04$	$\pm .01$															
YAZ4C-2TC3B				1																							
YAZ4C-2TC3B-45	#4 AWG [----]	40	3/8 [M10]	2	1.12 [28]	.58 [15]	1.00 [25]	1.23 [31]	.40 [10]	3.01 [76]	.41 [10]	.34 [9]	.08 [2]	1.43 [36]	8 OR 346	GRAY	W4CVT W4CRT (2)	W4CVT W4CRT (2)	GRAY (4)	A4CR A6CAB (2)	Y750 Y35, BAT35 Y39, BAT750	U4CRT U6CABT (2)	U4CRT U6CABT (2)	U4CRT U6CABT (2)	MECHANICAL: MY29-11 (1) HYDRAULIC: Y644, Y644M, Y644MBH, Y1000 Y1000BH (1) 1 CRIMP	1-3/16	
YAZ4C-2TC3B-90				3				1.50 [38]		2.09 [53]																	

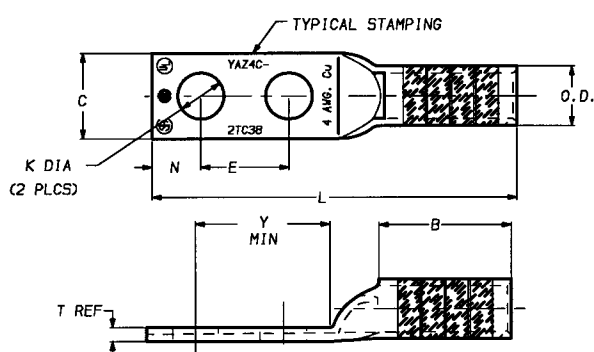


FIG 1

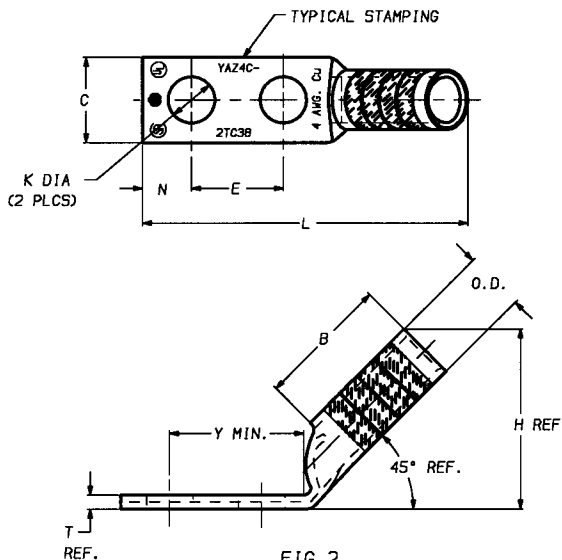


FIG 2

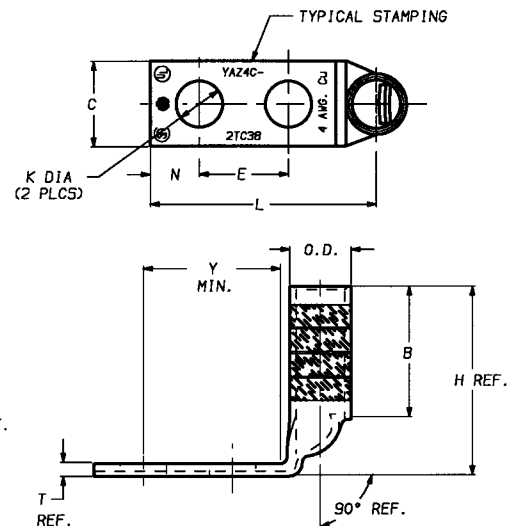


FIG 3

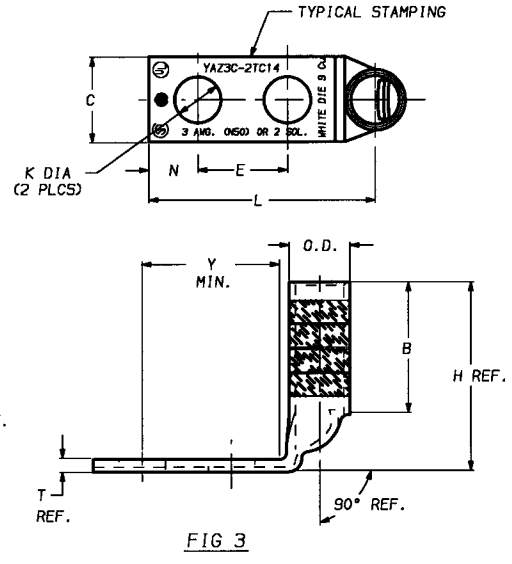
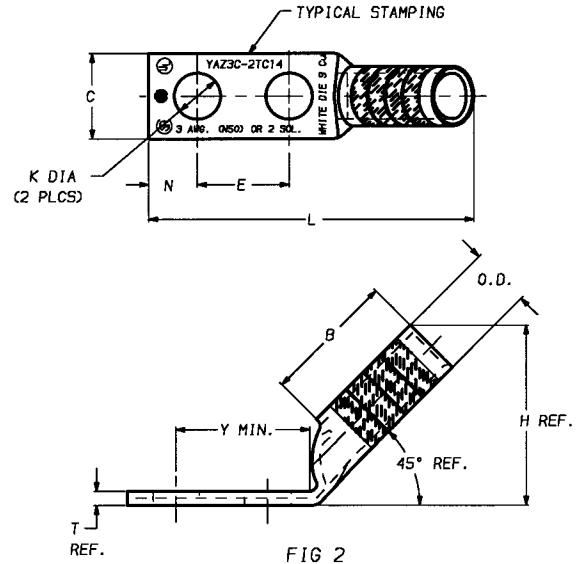
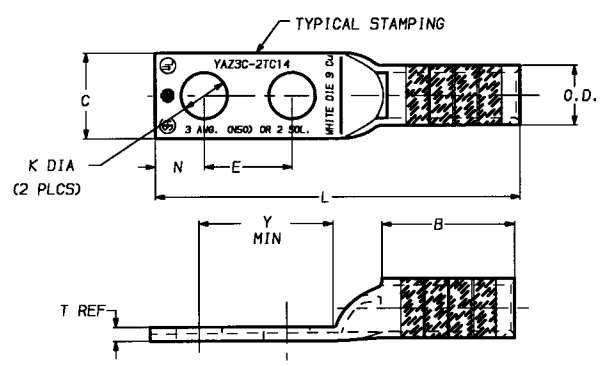
NOTES:

1. MATERIAL: COPPER TUBING.
2. FINISH: TIN PLATED
3. CATALOG # PT6515 ADAPTOR IS REQUIRED TO USE "U" DIES IN Y45 SERIES TOOLS.
4. CATALOG # PUADP-1 ADAPTOR IS REQUIRED TO USE "U" DIES IN Y46 SERIES TOOLS.
5. NAVY CABLE SIZE MAY BE OMITTED ON SOME SIZES BECAUSE OF SPACE LIMITATIONS.
6. PERMANENT DIE IN TOOLING.
7. DIMENSIONS, METRIC WIRE, & METRIC BOLT SIZES IN BRACKETS [] ARE IN MILLIMETERS. DIMENSIONS ARE ROUNDED OFF TO THE NEAREST MILLIMETER, UNLESS OTHERWISE NOTED, AND ARE FOR REFERENCE ONLY.
8. FOR USE BY CUSTOMERS THAT HAVE THIS HYPRESS.™ NO NEW Y34A HYPRESS™ ARE BEING PROCESSED.

HYLUG™			
CAT NO. YAZ4C-2TC-	(SEE TABLE)		SCALE
DRAWN: D. BOLSVERT			NTS
11/11/98			CHECKED: K. HENRY 12/03/98
DSGN APPVL: B. MACDONALD 12/02/98			
MKTG APPVL: N/A			
G.A. APPVL: S. GRAY 11/30/98		MKTG APPVL: B. HARGROVE 11/25/98	
CAD FILE: SE21191S-10_0		PH REF: N/A	
FRAMATONE CONNECTORS USA INC.		MOL REF: N/A	
BURNDY ELECTRICAL		PROJECT: .	
DRAWING NO.		REV	
SE21191S		0	
SHEET 10 of 36			

0	11/11/98	RELEASED PER ECD 4612.	DB	KH
REV.	DATE	DESCRIPTION	BY	C/K'D.

CATALOG NO.	CONDUCTOR		BOLT SIZE	FIG. NO.	DIMENSIONS											INSTALLATION TOOLING (# CRIMPS)														
	CODE (AWG)	NAVY			B	C	E	H	K DIA.	L	N	O.D.	T REF.	Y MIN.	DIE INDEX	COLOR CODE	MECHANICAL RATCHET			HYDRAULIC				DIELESS (# CRIMPS)	WIRE STRIP LENGTH					
					±.06	±.04	±.02	REF.	±.02	±.09	±.04	±.01						Y750	Y35, BAT35	Y46	Y45	Y750	Y35, BAT35			Y39, BAT750				
YAZ3C-2TC14	#3 AWG #2 SOL [25mm ² STR]	50	1/4 [M6]	1	1.25 [32]	.55 [14]	.62 [16]	---	.27 [7]	2.83 [72]	.31 [8]	.38 [10]	.09 [2]	.96 [24]	9	WHITE	W3CRT (2)	W3CRT (2)	---	A3CR (2)	U3CRT (2)	U3CRT (2)	U3CRT (2)	MECHANICAL: MY29-11 (1)	1-5/16					
YAZ3C-2TC14-45				2				1.37 [35]			2.59 [66]																			
YAZ3C-2TC14-90				3					1.69 [43]			1.55 [39]																		
YAZ3C-2TC14E2	#3 AWG #2 SOL [25mm ² STR]	50	1/4 [M6]	1						2.95 [75]			1.09 [28]	9	WHITE	W3CRT (2)	W3CRT (2)	---	A3CR (2)	U3CRT (2)	U3CRT (2)	U3CRT (2)	HYDRAULIC: Y644, Y644M, Y644MBH, Y1000, Y1000BH (1)	1-5/16						
YAZ3C-2TC14E2-45				2			.75 [19]			1.37 [35]																				
YAZ3C-2TC14E2-90				3					1.69 [43]			2.72 [69]																		



- NOTES:
1. MATERIAL: COPPER TUBING.
 2. FINISH: TIN PLATED
 3. CATALOG # PT6515 ADAPTOR IS REQUIRED TO USE "U" DIES IN Y45 SERIES TOOLS.
 4. CATALOG # PUADP-1 ADAPTOR IS REQUIRED TO USE "U" DIES IN Y46 SERIES TOOLS.
 5. NAVY CABLE SIZE MAY BE OMITTED ON SOME SIZES BECAUSE OF SPACE LIMITATIONS.
 6. DIMENSIONS, METRIC WIRE, & METRIC BOLT SIZES IN BRACKETS [] ARE IN MILLIMETERS. DIMENSIONS ARE ROUNDED OFF TO THE NEAREST MILLIMETER, UNLESS OTHERWISE NOTED, AND ARE FOR REFERENCE ONLY.
 7. FOR USE BY CUSTOMERS THAT HAVE THIS HYPRESS.™ NO NEW Y34A HYPRESS™ ARE BEING PROCESSED.

HYLUG™

CAT NO. **YAZ3C-2TC-** (SEE TABLE) SCALE: NTS

DRAWN. D. BOISVERT 11/12/98 CHECKED, K. HENRY 12/03/98

DSGN APPVL. B. MACDONALD 12/02/98 HFG APPVL. N/A

Q.A. APPVL. S. GRAY 11/30/98 MKTG APPVL. B. HARGROVE 11/25/98

CAD FILE: SE211915-11_0 PW REF. N/A

MDL REF. N/A

FRAMATONE CONNECTORS USA INC. PROJECT: _____

BURNDY ELECTRICAL

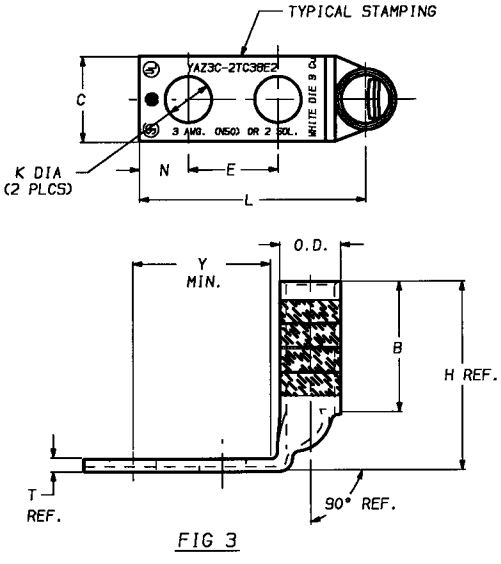
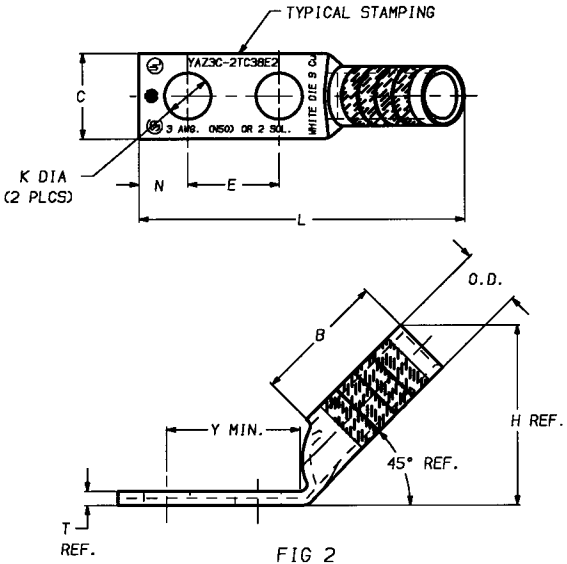
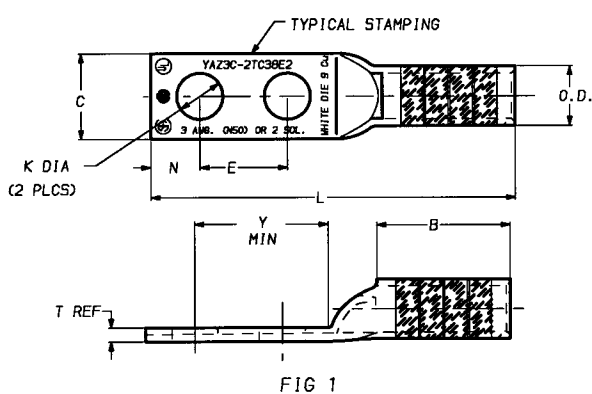
MANCHESTER, NH 03108 U. S. A. 1-800-346-4175

DRAWING NO. **SE211915** REV. 0

SHEET 11 of 36

0	11/12/98	RELEASED PER ECO 4612.	DB	KH
REV.	DATE	DESCRIPTION	BY	C'K'D.

CATALOG NO.	CONDUCTOR		BOLT SIZE	FIG. NO.	DIMENSIONS										INSTALLATION TOOLING (# CRIMPS)										WIRE STRIP LENGTH					
	CODE (AWG)	NAVY			B	C	E	H	K DIA.	L	N	O.D.	T REF.	Y MIN.	DIE INDEX	COLOR CODE	MECHANICAL RATCHET			HYDRAULIC				DIELESS (# CRIMPS)						
					±.06	±.04	±.02	REF.	±.02	±.09	±.04	±.01					MD7-34R MD6	OURB40	Y2MR	Y34A	Y750 Y35, BAT35 Y39, BAT750	Y46	Y45							
YAZ3C-2TC38E2	#3 AWG #2 SOL [25mm ² STR]	50	3/8 [M10]	1	1.25 [32]	.58 [15]	.75 [19]	---	.40 [10]	3.14 [80]	.41 [10]	.38 [10]	.08 [2]	1.18 [30]	9	WHITE	W3CRT (2)	W3CRT (2)	---	A3CR (2)	U3CRT (2)	U3CRT (2)	U3CRT (2)	MECHANICAL: MY29-11 (1)	1-5/16					
YAZ3C-2TC38E2-45				2			1.37 [35]			2.88 [73]																				
YAZ3C-2TC38E2-90				3				1.67 [42]			1.86 [47]																			
YAZ3C-2TC38	#3 AWG #2 SOL [25mm ² STR]	50	3/8 [M10]	1			1.00 [25]	---	.40 [10]	3.39 [86]	.41 [10]	.38 [10]	.08 [2]	1.43 [36]	9	WHITE	W3CRT (2)	W3CRT (2)	---	A3CR (2)	U3CRT (2)	U3CRT (2)	U3CRT (2)	HYDRAULIC: Y644, Y644M Y644MBH, Y1000 Y1000BH (1)	1-5/16					
YAZ3C-2TC38-45				2			1.37 [35]			3.13 [80]																				
YAZ3C-2TC38-90				3				1.67 [42]			2.11 [54]																			



NOTES:

1. MATERIAL, COPPER TUBING.
2. FINISH, TIN PLATED
3. CATALOG # PT6515 ADAPTOR IS REQUIRED TO USE "U" DIES IN Y45 SERIES TOOLS.
4. CATALOG # PUADP-1 ADAPTOR IS REQUIRED TO USE "U" DIES IN Y46 SERIES TOOLS.
5. NAVY CABLE SIZE MAY BE OMITTED ON SOME SIZES BECAUSE OF SPACE LIMITATIONS.
6. DIMENSIONS, METRIC WIRE, & METRIC BOLT SIZES IN BRACKETS [] ARE IN MILLIMETERS. DIMENSIONS ARE ROUNDED OFF TO THE NEAREST MILLIMETER, UNLESS OTHERWISE NOTED, AND ARE FOR REFERENCE ONLY.
7. FOR USE BY CUSTOMERS THAT HAVE THIS HYPRESS.TM NO NEW Y34A HYPRESSTM ARE BEING PROCESSED.

HYLUG TM		SCALE
CAT NO. YAZ3C-2TC- (SEE TABLE)		N/A
DRWN. D. BOISVERT	11/12/98	CHECKED. K. HENRY 12/03/98
DSGN APPL. B. MACDONALD	12/02/98	MFG APPL. N/A
Q.A. APPL. S. GRAY	11/30/98	MKTS APPL. B. HARGROVE 11/25/98
CAD FILE: SE211915-12_0		PN REF. N/A
FRAMATONE CONNECTORS USA INC.		MDL REF. N/A
BURNBY ELECTRICAL		PROJECT.
DRAWING NO. SE211915		REV. 0
SHEET 12 OF 36		

REV.	DATE	DESCRIPTION	BY	C'K'D.
0	11/12/98	RELEASED PER ECO 4612.	DB	KH

REV. 06/1995

CATALOG NO.	CONDUCTOR		BOLT SIZE	FIG. NO.	DIMENSIONS										INSTALLATION TOOLING (# CRIMPS)																					
	CODE (AWG)	NAVY			B	C	E	H	K DIA.	L	N	O.D.	T REF.	Y MIN.	DIE INDEX	COLOR CODE	MECHANICAL RATCHET			HYDRAULIC				DIELESS (# CRIMPS)	WIRE STRIP LENGTH											
					±.06	±.04	±.02	REF.	±.02	±.09	±.04	±.01					MD7-34R MD6	OURB40	Y2MR	Y34A	Y750 Y35, BAT35 Y39, BAT750	Y46	Y45													
YAZ2C-2TC10E2	#2 AWG [-----]	60	#10 [M5]	1	1.25 [32]	.60 [15]	.75 [19]	----	.21 [5]	2.85 [72]	.25 [6]	.42 [11]	.11 [3]	1.03 [26]	10	BROWN	W2CVT W2CRT (2)	W2CVT W2CRT (2)	----	A2CR (2)	U2CRT (2)	U2CRT (2)	U2CRT (2)	MECHANICAL: MY29-11 (1)	1-5/16											
YAZ2C-2TC10E2-45				2			1.42 [36]		2.65 [67]																											
YAZ2C-2TC10E2-90				3			1.74 [44]		1.58 [40]																											
YAZ2C-2TC14	#2 AWG [-----]	60	1/4 [M6]	1			----	----	2.85 [72]	.31 [8]	.42 [11]	.11 [3]	.96 [24]	10	BROWN	W2CVT W2CRT (2)	W2CVT W2CRT (2)	----	A2CR (2)	U2CRT (2)	U2CRT (2)	U2CRT (2)	HYDRAULIC: Y644, Y644M Y644MBH, Y1000 Y1000BH (1)	1-5/16												
YAZ2C-2TC14-45				2	1.25 [32]	.60 [15]	.62 [16]	1.42 [36]	2.65 [67]																											
YAZ2C-2TC14-90				3			1.74 [44]		1.58 [40]																											

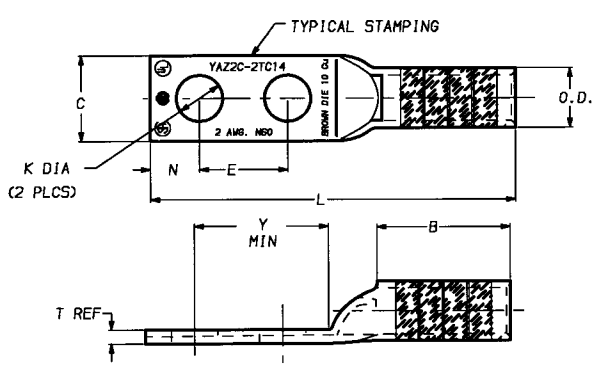


FIG 1

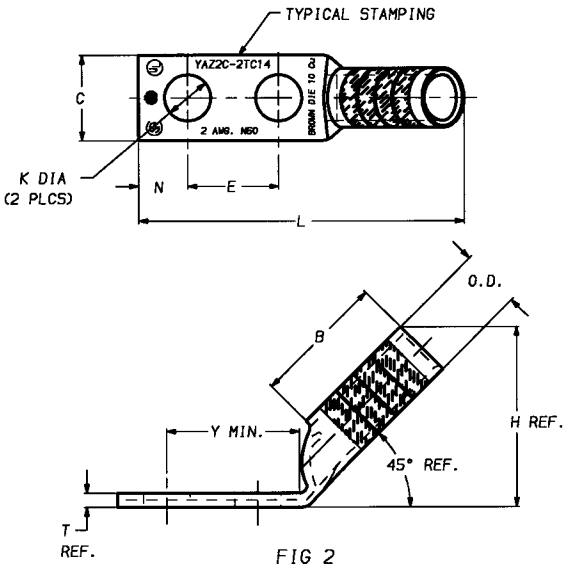


FIG 2

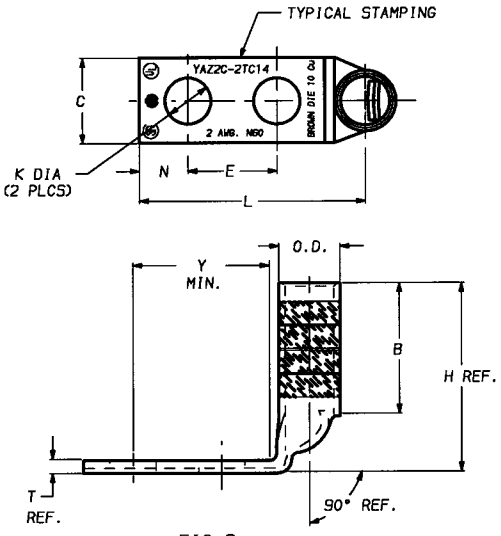


FIG 3

NOTES:

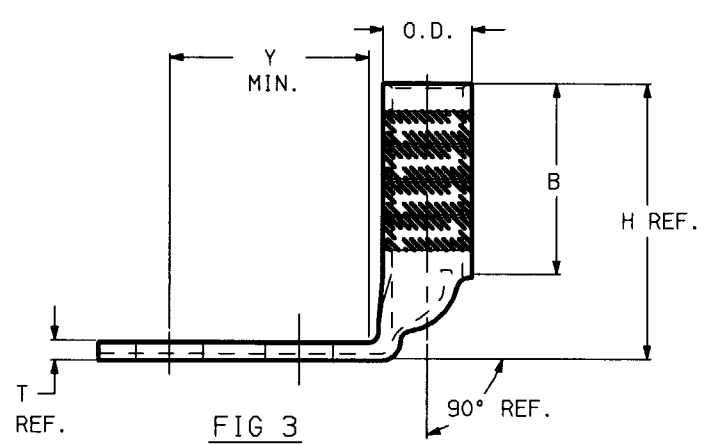
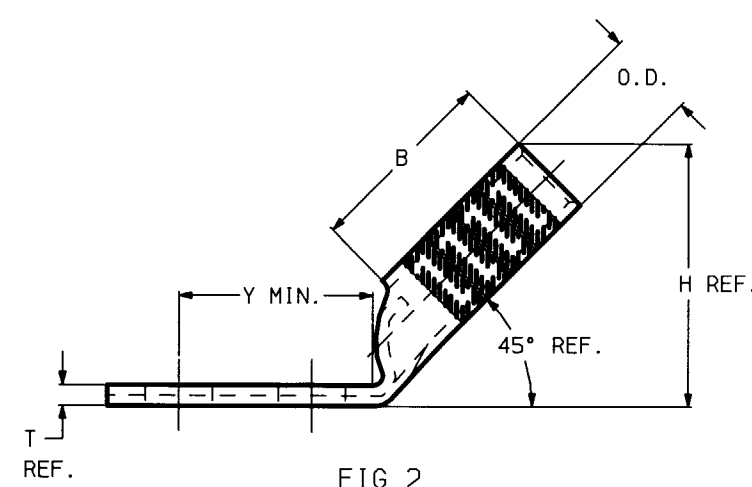
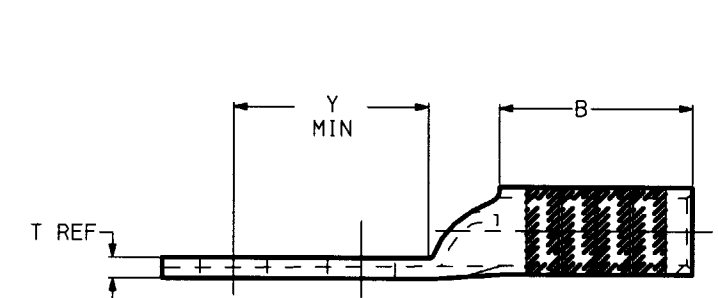
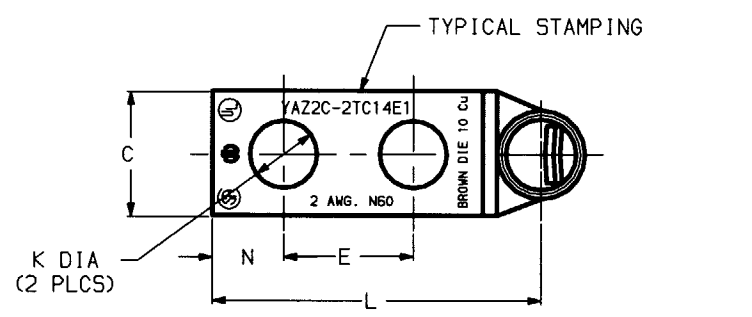
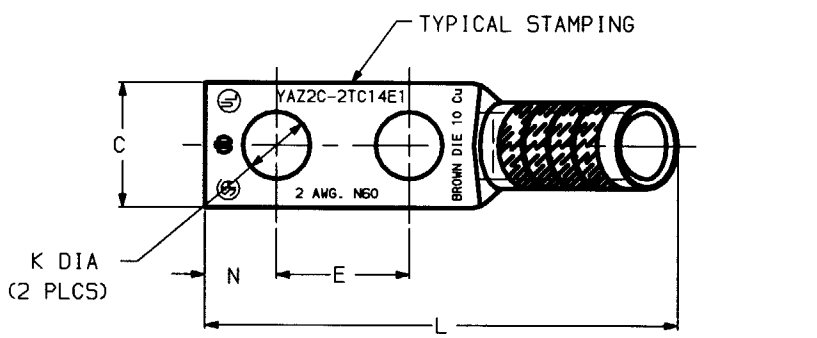
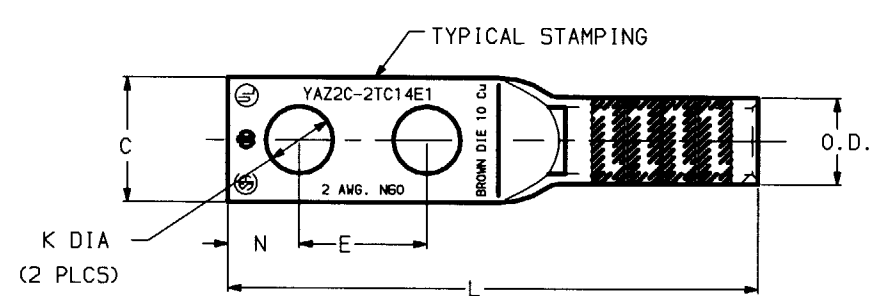
1. MATERIAL: COPPER TUBING.
2. FINISH: TIN PLATED
3. CATALOG # PT6515 ADAPTOR IS REQUIRED TO USE "U" DIES IN Y45 SERIES TOOLS.
4. CATALOG # PUADP-1 ADAPTOR IS REQUIRED TO USE "U" DIES IN Y46 SERIES TOOLS.
5. NAVY CABLE SIZE MAY BE OMITTED ON SOME SIZES BECAUSE OF SPACE LIMITATIONS.
6. DIMENSIONS, METRIC WIRE, & METRIC BOLT SIZES IN BRACKETS [] ARE IN MILLIMETERS. DIMENSIONS ARE ROUNDED OFF TO THE NEAREST MILLIMETER, UNLESS OTHERWISE NOTED, AND ARE FOR REFERENCE ONLY.
7. FOR USE BY CUSTOMERS THAT HAVE THIS HYPRESS.™ NO NEW Y34A HYPRESS™ ARE BEING PROCESSED.

HYLUG™	
CAT NO. YAZ2C-2TC- (SEE TABLE)	SCALE NTS
DRAWN. D. BOISVERT 11/12/98	CHECKED. K. HENRY 12/03/98
DSGN APPL. B. MACDONALD 12/02/98	MFG APPL. N/A
G.A. APPL. S. GRAY 11/30/98	MKTG APPL. B. HARGROVE 11/25/98
CAD FILE: SE211915-13_0	PM REF. N/A
FRAMATONE CONNECTORS USA INC. BURNODY ELECTRICAL	MDL REF. N/A
	PROJECT. .
	DRAWING NO. SE211915
	REV. 0

0	11/12/98	RELEASED PER ECO 4612.	DB	KH
REV.	DATE	DESCRIPTION	BY	C'K'D.

REV. 081995

DRAWING NO. SE211915	7		6		5		4		3		2		1															
	CATALOG NO.	CONDUCTOR		BOLT SIZE	FIG. NO.	DIMENSIONS							INSTALLATION TOOLING (# CRIMPS)															
		CODE (AWG)	NAVY			B	C	E	H	K DIA.	L	N	O.D.	T REF.	Y MIN.	DIE INDEX	COLOR CODE	MECHANICAL RATCHET			HYDRAULIC				DIELESS (# CRIMPS)	WIRE STRIP LENGTH		
YAZ2C-2TC14E2	#2 AWG [-----]	60	1/4 [M6]	1	1.25 [32]	.60 [15]	.75 [19]	----	.27 [7]	2.97 [75]	.31 [8]	.42 [11]	.11 [3]	10	BROWN	W2CVT	W2CVT	----	A2CR (2)	U2CRT (2)	U2CRT (2)	U2CRT (2)	MECHANICAL: MY29-11 (1)	15/16				
YAZ2C-2TC14E2-45				2	1.42 [36]		1.42 [36]			1.09 [28]							W2CVT	W2CVT										
YAZ2C-2TC14E2-90				3	1.74 [44]																							
YAZ2C-2TC14E1	#2 AWG [-----]	60	1/4 [M6]	1			1.00 [25]	----		3.22 [82]				10	BROWN	W2CVT	W2CVT		A2CR (2)	U2CRT (2)	U2CRT (2)	U2CRT (2)	HYDRAULIC: Y644, Y644M Y644MBH, Y1000 Y1000BH (1)	15/16				
YAZ2C-2TC14E1-45				2	1.42 [36]				1.34 [34]								W2CVT	W2CVT										
YAZ2C-2TC14E1-90				3	1.74 [44]																							
YAZ2C-2NT14E1	#2 AWG [-----]	60	1/4 [M6]	1			1.00 [25]	----		3.22 [82]				10	BROWN	W2CVT	W2CVT		A2CR (2)	U2CRT (2)	U2CRT (2)	U2CRT (2)	MECHANICAL: MY29-11 (1)	15/16				
YAZ2C-2NT14E1-45				2	1.42 [36]				1.34 [34]								W2CVT	W2CVT										
YAZ2C-2NT14E1-90				3	1.74 [44]																							



- NOTES:
1. MATERIAL: COPPER TUBING.
 2. FINISH: TIN PLATED
 3. CATALOG # PT6515 ADAPTOR IS REQUIRED TO USE "U" DIES IN Y45 SERIES TOOLS.
 4. CATALOG # PUADP-1 ADAPTOR IS REQUIRED TO USE "U" DIES IN Y46 SERIES TOOLS.
 5. NAVY CABLE SIZE MAY BE OMITTED ON SOME SIZES BECAUSE OF SPACE LIMITATIONS.
 6. DIMENSIONS, METRIC WIRE, & METRIC BOLT SIZES IN BRACKETS [] ARE IN MILLIMETERS. DIMENSIONS ARE ROUNDED OFF TO THE NEAREST MILLIMETER, UNLESS OTHERWISE NOTED, AND ARE FOR REFERENCE ONLY.
 7. FOR USE BY CUSTOMERS THAT HAVE THIS HYPRESS.™ NO NEW Y34A HYPRESS™ ARE BEING PROCESSED.

REV.	DATE	DESCRIPTION	BY	C'K'D.
1	7/27/00	UPDATE FORMAT, ADD CAT.#'S TO TABLE PER ECO 5879.	DB	PL
0	11/12/98	RELEASED PER ECO 4612.	DB	KH

TO ORDER BURNDY PRODUCTS CALL 1-800-346-4175
 MANCHESTER, NH 03109, USA
 FOR PRODUCT INFO = <http://www.fciconnect.com>

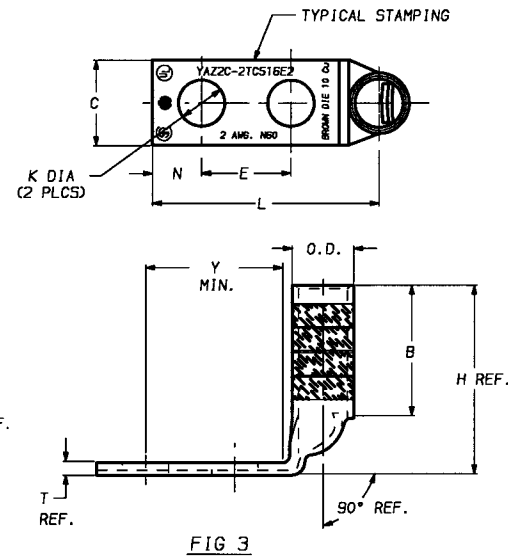
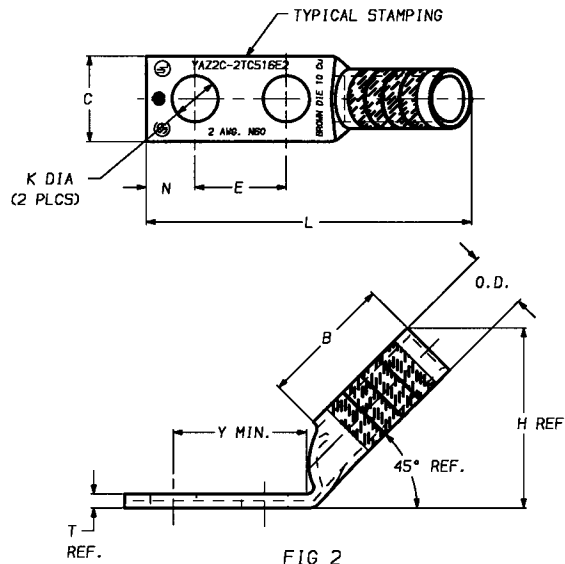
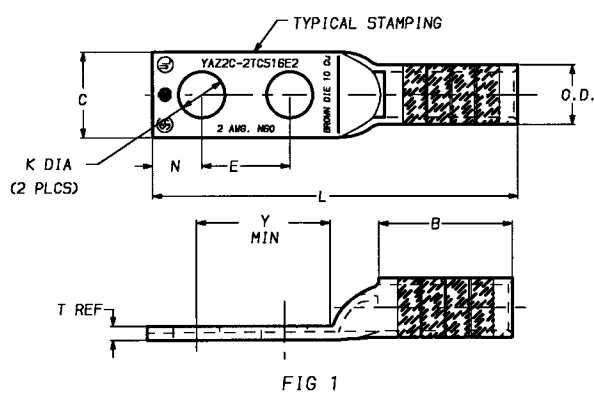
HYLUG™

CAT NO: YAZ2C-2TC-	(TABLE)	SCALE	NTS
DRAWN: D. BOISVERT	11/12/98	CHECKED: K. HENRY	12/03/98
DSGN APPVL: B. MACDONALD	12/02/98	MFG APPVL: N/A	
Q.A. APPVL: S. GRAY	11/30/98		
MKTG APPVL: B. HARGROVE	11/25/98		
CAD FILE: SE211915-14_1			
MDL REF: N/A			
DRAWING NO.		REV	
SE211915		1	
SHEET 14 OF 36			

FCI
 FRAMATOME GROUP
 BURNDY • PACINE • MALICO • SAAE Products

REV. 061995

CATALOG NO.	CONDUCTOR		BOLT SIZE	FIG. NO.	DIMENSIONS											INSTALLATION TOOLING (# CRIMPS)										
	CODE (AWG)	NAVY			B	C	E	H	K DIA.	L	N	O.D.	T REF.	Y MIN.	DIE INDEX	COLOR CODE	MECHANICAL RATCHET			HYDRAULIC				DIELESS (# CRIMPS)	WIRE STRIP LENGTH	
					±.06	±.04	±.02	REF.	±.02	±.09	±.04	±.01					MD7-34R MD6	OURB40	Y2MR	Y34A	Y750 Y35, BAT35 Y39, BAT750	Y46	Y45			
YAZ2C-2TC516E2	#2 AWG [-----]	60	5/16 [M8]	1	1.25 [32]	.60 [15]	.75 [19]	----	.33 [8]	3.03 [77]	.34 [9]	.42 [11]	.11 [3]	1.12 [28]	10	BROWN	W2CVT W2CRT (2)	W2CVT W2CRT (2)	----	A2CR (2)	U2CRT (2)	U2CRT (2)	U2CRT (2)	MECHANICAL: MY29-11 (1) HYDRAULIC: Y644, Y644H Y644MBH, Y1000 Y1000BH (1)	1-5/16	
YAZ2C-2TC516E2-45				2	1.25 [32]	.60 [15]	.75 [19]	1.42 [36]	1.74 [44]	1.77 [45]	2.84 [72]	1.90 [48]	.42 [11]	.11 [3]	1.18 [30]	10	BROWN	W2CVT W2CRT (2)	W2CVT W2CRT (2)	----	A2CR (2)	U2CRT (2)	U2CRT (2)			U2CRT (2)
YAZ2C-2TC516E2-90				3	1.25 [32]	.60 [15]	.75 [19]	1.42 [36]	1.74 [44]	1.77 [45]	2.84 [72]	1.90 [48]	.42 [11]	.11 [3]	1.18 [30]	10	BROWN	W2CVT W2CRT (2)	W2CVT W2CRT (2)	----	A2CR (2)	U2CRT (2)	U2CRT (2)			U2CRT (2)
YAZ2C-2TC38E2	#2 AWG [-----]	60	3/8 [M10]	1	1.25 [32]	.60 [15]	.75 [19]	----	.40 [10]	3.16 [80]	.41 [10]	.42 [11]	.11 [3]	1.18 [30]	10	BROWN	W2CVT W2CRT (2)	W2CVT W2CRT (2)	----	A2CR (2)	U2CRT (2)	U2CRT (2)	U2CRT (2)	MECHANICAL: MY29-11 (1) HYDRAULIC: Y644, Y644H Y644MBH, Y1000 Y1000BH (1)	1-5/16	
YAZ2C-2TC38E2-45				2	1.25 [32]	.60 [15]	.75 [19]	1.42 [36]	1.74 [44]	1.77 [45]	2.84 [72]	1.90 [48]	.42 [11]	.11 [3]	1.18 [30]	10	BROWN	W2CVT W2CRT (2)	W2CVT W2CRT (2)	----	A2CR (2)	U2CRT (2)	U2CRT (2)			U2CRT (2)
YAZ2C-2TC38E2-90				3	1.25 [32]	.60 [15]	.75 [19]	1.42 [36]	1.74 [44]	1.77 [45]	2.84 [72]	1.90 [48]	.42 [11]	.11 [3]	1.18 [30]	10	BROWN	W2CVT W2CRT (2)	W2CVT W2CRT (2)	----	A2CR (2)	U2CRT (2)	U2CRT (2)			U2CRT (2)



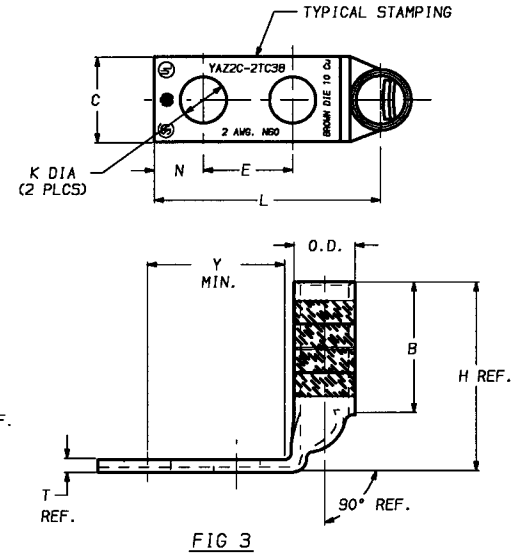
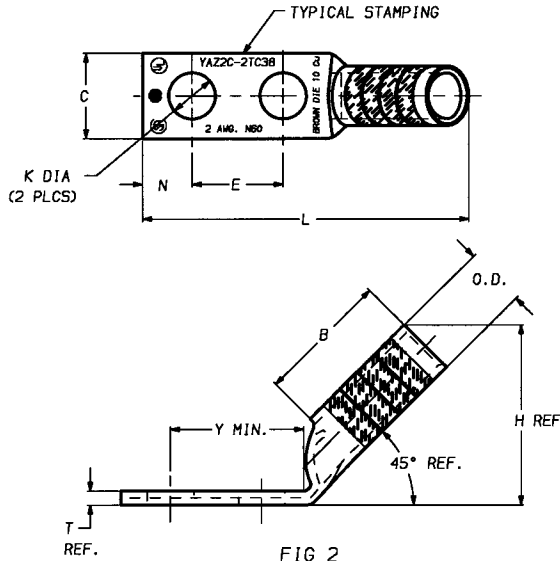
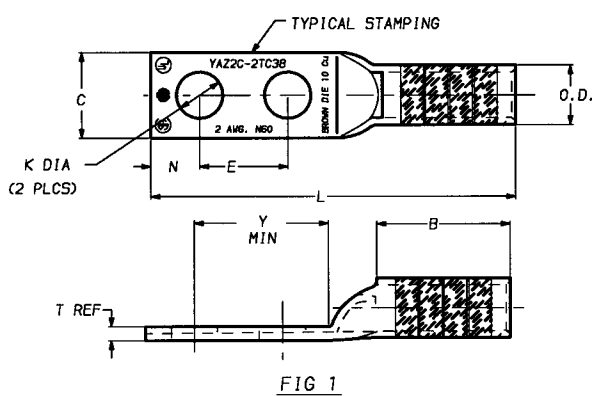
NOTES:

1. MATERIAL: COPPER TUBING.
2. FINISH: TIN PLATED
3. CATALOG # PT6515 ADAPTOR IS REQUIRED TO USE "U" DIES IN Y45 SERIES TOOLS.
4. CATALOG # PUADP-1 ADAPTOR IS REQUIRED TO USE "U" DIES IN Y46 SERIES TOOLS.
5. NAVY CABLE SIZE MAY BE OMITTED ON SOME SIZES BECAUSE OF SPACE LIMITATIONS.
6. DIMENSIONS, METRIC WIRE, & METRIC BOLT SIZES IN BRACKETS [] ARE IN MILLIMETERS. DIMENSIONS ARE ROUNDED OFF TO THE NEAREST MILLIMETER, UNLESS OTHERWISE NOTED, AND ARE FOR REFERENCE ONLY.
7. FOR USE BY CUSTOMERS THAT HAVE THIS HYPRESS.™ NO NEW Y34A HYPRESS™ ARE BEING PROCESSED.

HYLUG™	
CAT NO. YAZ2C-2TC- (SEE TABLE)	SCALE NYS
DRAWN: D. BOISVERT	11/12/98
CHECKED: K. HENRY	12/03/98
DESIGN APPVL: B. MACDONALD	12/02/98
MFG APPVL: N/A	
C.A. APPVL: S. GRAY	11/30/98
MKTG APPVL: B. HARGROVE	11/25/98
CAD FILE: SE211915-15_0	
PN REF: N/A	
NOL REF: N/A	
PROJECT: .	
FRAMATOME CONNECTORS USA INC.	
BURNDY ELECTRICAL	
MANCHESTER, NH 03108	
U. S. A.	
1-800-346-4175	
DRAWING NO. SE211915	REV. 0
SHEET 15	OF 36

0	11/12/98	RELEASED PER ECO 4612.	DB	KH
REV.	DATE	DESCRIPTION	BY	C*K'D.

SE211915	CONDUCTOR		BOLT SIZE	FIG. NO.	DIMENSIONS										INSTALLATION TOOLING (# CRIMPS)													
	CATALOG NO.	CODE (AWG)			NAVY	B	C	E	H	K DIA.	L	N	O.D.	T REF.	Y MIN.	DIE INDEX	COLOR CODE	MECHANICAL RATCHET			HYDRAULIC				DIELESS (# CRIMPS)	WIRE STRIP LENGTH		
						±.06	±.04	±.02	REF.	±.02	±.09	±.04	±.01					MD7-34R MD6	OURB40	Y2MR	Y34A	Y750 Y35, BAT35 Y39, BAT750	Y46	Y45				
YAZ2C-2TC38E6	#2 AWG [----]	60	3/8 [M10]	1	1.25 [32]	.60 [15]	.88 [22]	---	.40 [10]	3.28 [83]	.41 [10]	.42 [11]	.11 [3]	1.31 [33]	10	BROWN	W2CVT W2CRT (2)	W2CVT W2CRT (2)	---	A2CR (2)	U2CRT (2)	U2CRT (2)	U2CRT (2)	MECHANICAL: MY29-11 (1) HYDRAULIC: Y644, Y644M Y644MBH, Y1000 Y1000BH (1)	1-5/16			
YAZ2C-2TC38E6-45				2	1.25 [32]	.60 [15]	1.42 [36]	---	.40 [10]	3.09 [78]	.41 [10]	.42 [11]	.11 [3]				1.43 [36]	10	BROWN	W2CVT W2CRT (2)	W2CVT W2CRT (2)	---	A2CR (2)			U2CRT (2)	U2CRT (2)	U2CRT (2)
YAZ2C-2TC38E6-90				3	1.25 [32]	.60 [15]	1.74 [44]	---	.40 [10]	2.02 [51]	.41 [10]	.42 [11]	.11 [3]							1.43 [36]	10	BROWN	W2CVT W2CRT (2)			W2CVT W2CRT (2)	---	A2CR (2)
YAZ2C-2TC38	1	1.25 [32]	.60 [15]	1.00 [25]	---	.40 [10]	3.41 [87]	.41 [10]	.42 [11]	.11 [3]	1.43 [36]	10	BROWN	W2CVT W2CRT (2)	W2CVT W2CRT (2)	---	A2CR (2)	U2CRT (2)	U2CRT (2)				U2CRT (2)					
YAZ2C-2TC38-45	2	1.25 [32]	.60 [15]	1.42 [36]	---	.40 [10]	3.21 [82]	.41 [10]	.42 [11]	.11 [3]				1.43 [36]	10	BROWN	W2CVT W2CRT (2)	W2CVT W2CRT (2)	---	A2CR (2)	U2CRT (2)	U2CRT (2)	U2CRT (2)					
YAZ2C-2TC38-90	3	1.25 [32]	.60 [15]	1.74 [44]	---	.40 [10]	2.14 [54]	.41 [10]	.42 [11]	.11 [3]							1.43 [36]	10	BROWN	W2CVT W2CRT (2)	W2CVT W2CRT (2)	---	A2CR (2)	U2CRT (2)	U2CRT (2)	U2CRT (2)		



NOTES:

- MATERIAL: COPPER TUBING.
- FINISH: TIN PLATED
- CATALOG # PT6S15 ADAPTOR IS REQUIRED TO USE "U" DIES IN Y45 SERIES TOOLS.
- CATALOG # PUADP-1 ADAPTOR IS REQUIRED TO USE "U" DIES IN Y46 SERIES TOOLS.
- NAVY CABLE SIZE MAY BE OMITTED ON SOME SIZES BECAUSE OF SPACE LIMITATIONS.
- DIMENSIONS, METRIC WIRE, & METRIC BOLT SIZES IN BRACKETS [] ARE IN MILLIMETERS. DIMENSIONS ARE ROUNDED OFF TO THE NEAREST MILLIMETER, UNLESS OTHERWISE NOTED, AND ARE FOR REFERENCE ONLY.
- FOR USE BY CUSTOMERS THAT HAVE THIS HYPRESS.™ NO NEW Y34A HYPRESS™ ARE BEING PROCESSED.

HYLUG™		SCALE
CAT NO. YAZ2C-2TC- (SEE TABLE)		NTS
DRAWN: D. BDISVERT	11/12/98	CHECKED: K. HENRY 12/03/98
DSGN APPVL: S. MACDONALD 12/02/98	MFG APPVL: N/A	
G.A. APPVL: S. GRAY 11/30/98	MKTG APPVL: B. HARGROVE 11/25/98	
CAD FILE: SE211915-16_0	PM REF: N/A	
FRAMATONE CONNECTORS USA INC.		MOL REF: N/A
BURNDY ELECTRICAL		PROJECT: .
DRAWING NO.		REV
SE211915		0
SHEET 16 OF 36		

0	11/12/98	RELEASED PER ECO 4612.	DB	KH
REV.	DATE	DESCRIPTION	BY	C'K'D.

MANCHESTER, NH 03108
U. S. A.
1-800-346-4175

REV. 061995

SE211915

D

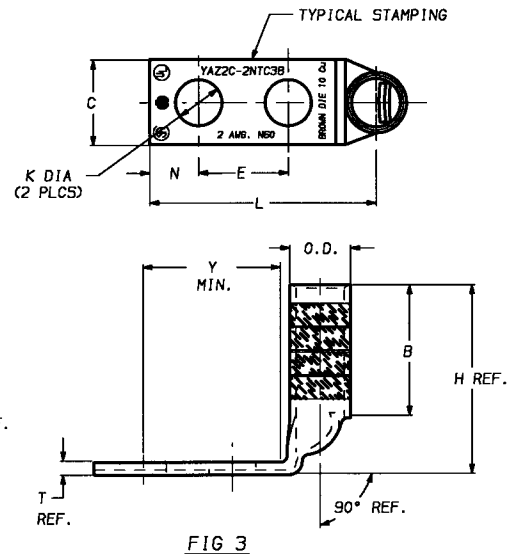
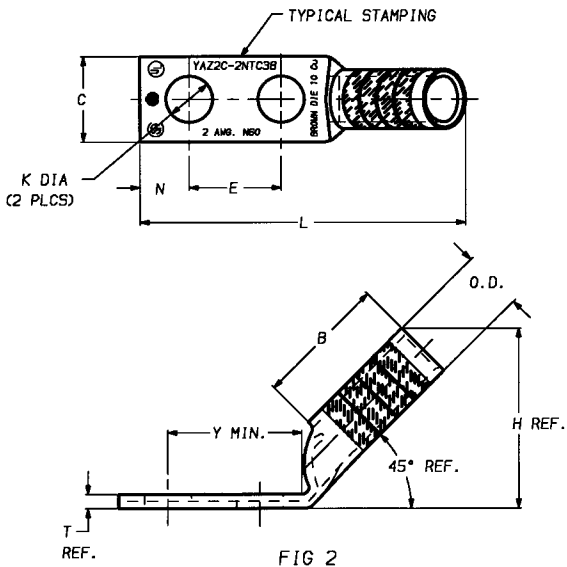
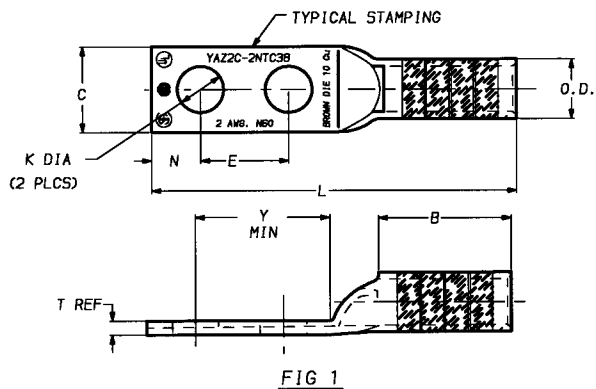
C

B

A

REV. 061985

CATALOG NO.	CONDUCTOR		BOLT SIZE	FIG. NO.	DIMENSIONS										INSTALLATION TOOLING (# CRIMPS)								WIRE STRIP LENGTH						
	CODE (AWG)	NAVY			B	C	E	H	K DIA.	L	N	O.D.	T REF.	Y MIN.	DIE INDEX	COLOR CODE	MECHANICAL RATCHET			HYDRAULIC				DIELESS (# CRIMPS)					
			±.06	±.04	±.02	REF.	±.02	±.09	±.04	±.01								Y34A	Y35, BAT35 Y39, BAT750	Y46	Y45								
YAZ2C-2NTC3B			1				---		4.16 [106]																		MECHANICAL: MY29-11 (1) HYDRAULIC: Y644, Y644M Y644MBH, Y1000 Y1000BH (1)	1-5/16	
YAZ2C-2NTC3B-45	#2 AWG [---]	60	3/8 [M10]	2	1.25 [32]	.60 [15]	1.75 [44]	1.42 [36]	.40 [10]	3.96 [101]	.41 [10]	.42 [11]	.11 [3]	2.18 [55]	10	BROWN	W2CVT W2CRT (2)	W2CVT W2CRT (2)	---	A2CR (2)	U2CRT (2)	U2CRT (2)	U2CRT (2)						
YAZ2C-2NTC3B-90			3				1.74 [44]		2.90 [74]																				



NOTES:

1. MATERIAL: COPPER TUBING.

2. FINISH: TIN PLATED

3. CATALOG # PT6515 ADAPTOR IS REQUIRED TO USE "U" DIES IN Y45 SERIES TOOLS.

4. CATALOG # PUADP-1 ADAPTOR IS REQUIRED TO USE "U" DIES IN Y46 SERIES TOOLS.

5. NAVY CABLE SIZE MAY BE OMITTED ON SOME SIZES BECAUSE OF SPACE LIMITATIONS.

6. DIMENSIONS, METRIC WIRE, & METRIC BOLT SIZES IN BRACKETS [] ARE IN MILLIMETERS. DIMENSIONS ARE ROUNDED OFF TO THE NEAREST MILLIMETER, UNLESS OTHERWISE NOTED, AND ARE FOR REFERENCE ONLY.

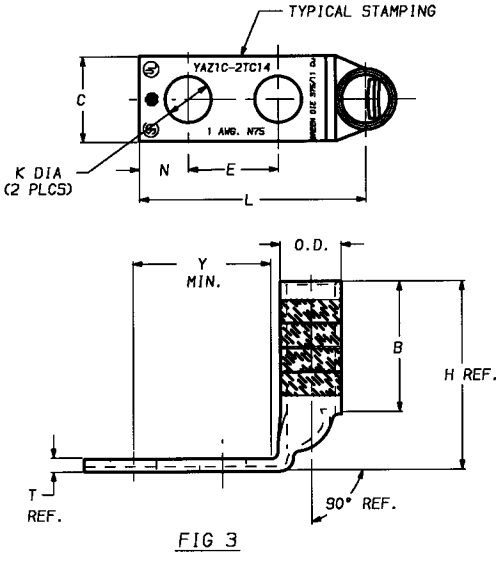
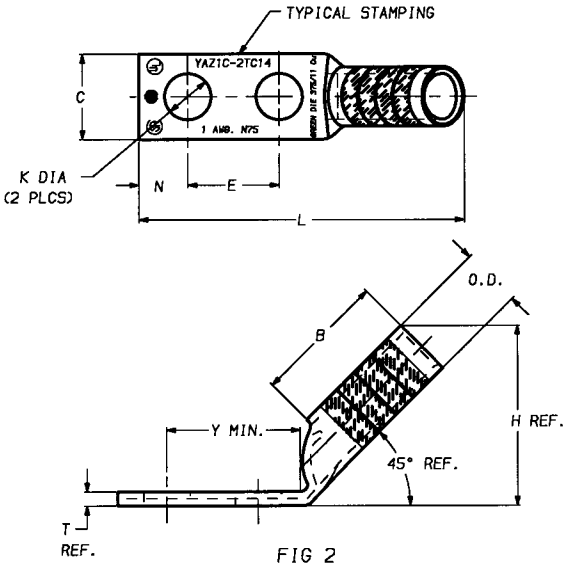
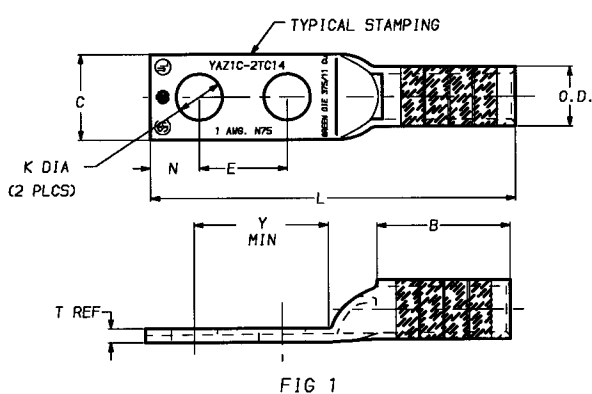
7. FOR USE BY CUSTOMERS THAT HAVE THIS HYPRESS.™ NO NEW Y34A HYPRESS™ ARE BEING PROCESSED.

0	11/12/98	RELEASED PER ECO 4612.	DB	KH
REV.	DATE	DESCRIPTION	BY	C'K'D.

HYLUG™

CAT NO. YAZ2C-2NTC- (SEE TABLE)		SCALE
DRAWN: D. BOISVERT		NTS
11/12/98		CHECKED: K. HENRY 12/03/98
DSGN APPVL. B. MACDONALD 12/02/98 MFG APPVL. N/A		
G.A. APPVL. S. GRAY 11/30/98		MKTG APPVL. B. HARGROVE 11/25/98
CAD FILE: SE211915-17_0		PM REF. N/A
FRAMATONE CONNECTORS USA INC.		MDL REF. N/A
BURLINDY ELECTRICAL		PROJECT: .
DRAWING NO.		
MANCHESTER, NH 03108		REV. 0
U. S. A.		
1-800-346-4175		
		SHEET 17 of 36

CATALOG NO.	CONDUCTOR		BOLT SIZE	FIG. NO.	DIMENSIONS											INSTALLATION TOOLING (# CRIMPS)										WIRE STRIP LENGTH					
	CODE (AWG)	NAVY			B	C	E	H	K DIA.	L	N	O.D.	T REF.	Y MIN.	DIE INDEX	COLOR CODE	MECHANICAL RATCHET			HYDRAULIC				DIELESS (# CRIMPS)							
					±.06	±.04	±.02	REF.	±.02	±.09	±.04	±.01						Y750	Y34A	Y35, BAT35	Y46	Y45	Y750		Y35, BAT35		Y39, BAT750				
YAZ1C-2TC14	#1 AWG [-----]	75	1/4 [M6]	1	1.38 [35]	.67 [17]	.62 [16]	----	.27 [7]	3.01 [76]	.31 [8]	.46 [12]	.10 [3]	.96 [24]	11 OR 375	GREEN	W1CVT W1CRT (2)	W1CVT W1CRT (2)	----	A1CR A4CAB (2)	U1CRT U4CABT (2)	U1CRT U4CABT (2)	U1CRT U4CABT (2)	MECHANICAL: MY29-11 (1)	1-7/16						
YAZ1C-2TC14-45				2		1.57 [40]			1.90 [48]		2.75 [70]																				
YAZ1C-2TC14-90				3							1.60 [41]																				
YAZ1C-2TC14E2				1							3.13 [80]																				
YAZ1C-2TC14E2-45				2							2.87 [73]																				
YAZ1C-2TC14E2-90	#1 AWG [-----]	75	1/4 [M6]	3	1.38 [35]	.67 [17]	.75 [19]	----	.27 [7]	1.73 [44]	.31 [8]	.46 [12]	.10 [3]	1.09 [28]	11 OR 375	GREEN	W1CVT W1CRT (2)	W1CVT W1CRT (2)	----	A1CR A4CAB (2)	U1CRT U4CABT (2)	U1CRT U4CABT (2)	U1CRT U4CABT (2)	HYDRAULIC: Y644, Y644M Y644MBH, Y1000 Y1000BH (1)	1-7/16						



- NOTES:
1. MATERIAL: COPPER TUBING.
 2. FINISH: TIN PLATED
 3. CATALOG # PT6515 ADAPTOR IS REQUIRED TO USE "U" DIES IN Y45 SERIES TOOLS.
 4. CATALOG # PUADP-1 ADAPTOR IS REQUIRED TO USE "U" DIES IN Y46 SERIES TOOLS.
 5. NAVY CABLE SIZE MAY BE OMITTED ON SOME SIZES BECAUSE OF SPACE LIMITATIONS.
 6. DIMENSIONS, METRIC WIRE, & METRIC BOLT SIZES IN BRACKETS [] ARE IN MILLIMETERS. DIMENSIONS ARE ROUNDED OFF TO THE NEAREST MILLIMETER, UNLESS OTHERWISE NOTED, AND ARE FOR REFERENCE ONLY.
 7. FOR USE BY CUSTOMERS THAT HAVE THIS HYPRESS.™ NO NEW Y34A HYPRESS™ ARE BEING PROCESSED.

HYLUG™		SCALE
CAT NO. YAZ1C-2TC- (SEE TABLE)		NIS
DRAWN: D. BOISVERT	11/12/98	CHECKED: K. HENRY 12/03/98
DSGN APPL: B. MACDONALD 12/02/98	MFGS APPL: N/A	
Q.A. APPL: S. GRAY 11/30/98	MKTS APPL: B. HARGROVE 11/25/98	
CAD FILE: SE211915-1B_0	PM REF: N/A	
FRAMATONE CONNECTORS USA INC.	MDL REF: N/A	
BURNDY ELECTRICAL	PROJECT: .	
	DRAWING NO.	REV
	SE211915	0
	SHEET 18	OF 36

O	11/12/98	RELEASED PER ECO 4612.	DB	KH
REV.	DATE	DESCRIPTION	BY	C'K'D.

REV. 061995

SE211915	CONDUCTOR		BOLT SIZE	FIG. NO.	DIMENSIONS										INSTALLATION TOOLING (# CRIMPS)											
	CATALOG NO.	CODE (AWG)			NAVY	B	C	E	H	K DIA.	L	N	O.D.	T REF.	Y MIN.	DIE INDEX	COLOR CODE	MECHANICAL RATCHET			HYDRAULIC				DIELESS (# CRIMPS)	WIRE STRIP LENGTH
						±.06	±.04	±.02	REF.	±.02	±.09	±.04	±.01													
YAZ1C-2TC3B	#1 AWG [----]	75	3/8 [M10]	1	1.38 [35]	.67 [17]	1.00 [25]	----	.40 [10]	3.57 [91]	.41 [10]	.46 [12]	.10 [3]	1.43 [36]	11 OR 375	GREEN	W1CVT MD6	W1CVT MD6	---	A1CR A4CAB (2)	Y750 Y35, BAT35 Y39, BAT750	Y46 U4CABT (2)	Y45 U4CABT (2)	MECHANICAL: MY29-11 (1) HYDRAULIC: Y644, Y644M, Y644MBH, Y1000 Y1000BH (1)	1-7/16	
2				3.31 [84]				1.90 [48]		2.16 [55]							W1CRT (2)	W1CRT (2)	---	U1CRT U4CABT (2)	U1CRT U4CABT (2)					
3				2.16 [55]				---		---							---	---								

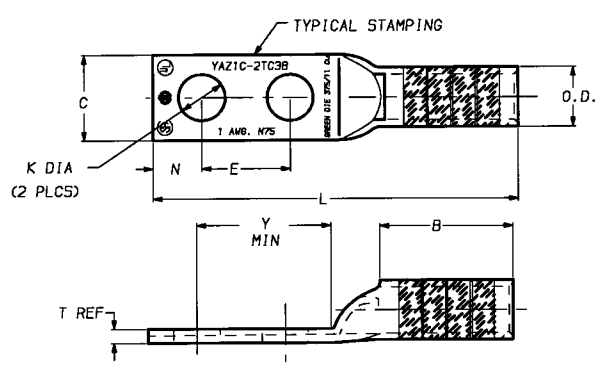


FIG 1

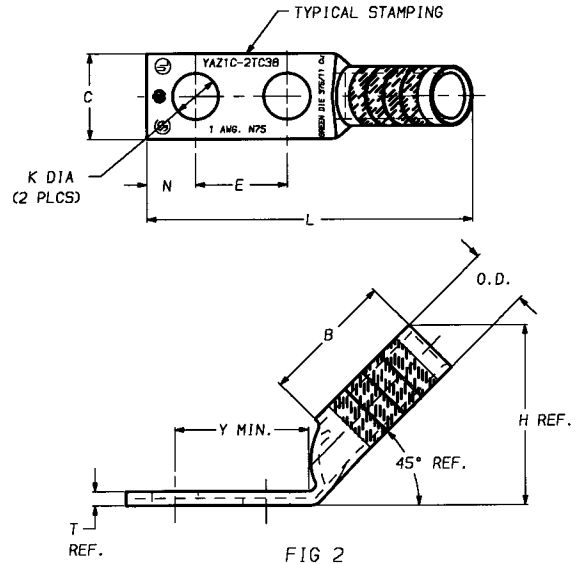


FIG 2

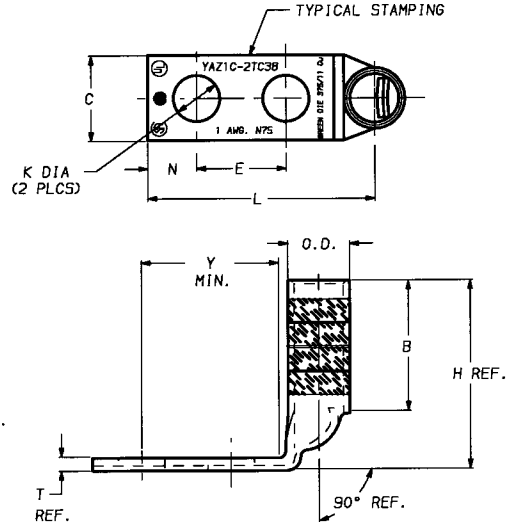


FIG 3

NOTES:

1. MATERIAL: COPPER TUBING.
2. FINISH: TIN PLATED
3. CATALOG # PT6515 ADAPTOR IS REQUIRED TO USE "U" DIES IN Y45 SERIES TOOLS.
4. CATALOG # PUADP-1 ADAPTOR IS REQUIRED TO USE "U" DIES IN Y46 SERIES TOOLS.
5. NAVY CABLE SIZE MAY BE OMITTED ON SOME SIZES BECAUSE OF SPACE LIMITATIONS.
6. DIMENSIONS, METRIC WIRE, & METRIC BOLT SIZES IN BRACKETS [] ARE IN MILLIMETERS. DIMENSIONS ARE ROUNDED OFF TO THE NEAREST MILLIMETER, UNLESS OTHERWISE NOTED, AND ARE FOR REFERENCE ONLY.
7. FOR USE BY CUSTOMERS THAT HAVE THIS HYPRESS.™ NO NEW Y34A HYPRESS™ ARE BEING PROCESSED.

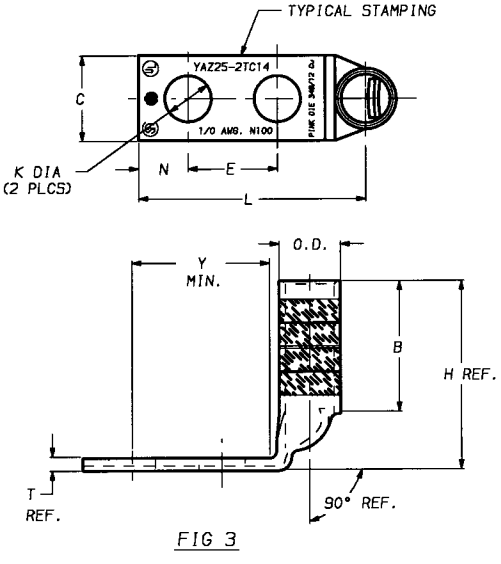
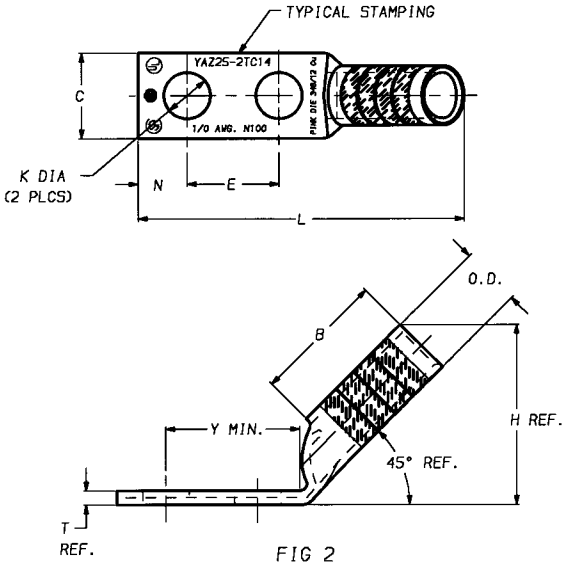
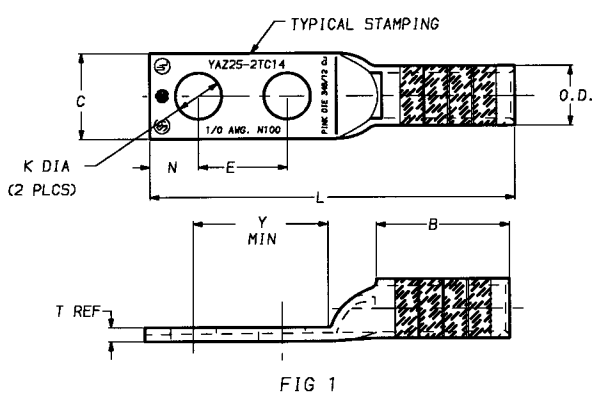
HYLUG™

CAT NO. YAZ1C-2TC- (SEE TABLE)		SCALE
DRAWN: D. BOISVERT 11/13/98		NTS
CHECKED: K. HENRY 12/03/98		
DSGN APPVL: B. MACDONALD 12/02/98	MFG APPVL: N/A	
Q.A. APPVL: S. GRAY 11/30/98	MKTG APPVL: B. HARGROVE 11/25/98	
CAD FILE: SE211915-19_0	PM REF: N/A	
FRAMATOME CONNECTORS USA INC.	MDL REF: N/A	
BURNDY ELECTRICAL	PROJECT:	
	DRAWING NO.	REV
	SE211915	0
	SHEET 19 of 36	

Q	11/13/98	RELEASED PER ECO 4612.	DB	KH
REV.	DATE	DESCRIPTION	BY	C'K'D.

REV. 06/19/95

CATALOG NO.	CONDUCTOR		BOLT SIZE	FIG. NO.	DIMENSIONS											INSTALLATION TOOLING (CRIMPS)										WIRE STRIP LENGTH
	CODE (AWG)	NAVY			B	C	E	H	K DIA.	L	N	O.D.	T REF.	Y MIN.	MECHANICAL RATCHET			HYDRAULIC				DIELESS (CRIMPS)				
															MD7-34R MD6	OURB40	Y2MR	Y34A	Y750 Y35, BAT35 Y39, BAT750	Y46	Y45					
YAZ25-2TC14	1/0 AWG [-----]	100	1	1.38 [35]	.75 [19]	.62 [16]	----	.27 [7]	3.04 [77]	.31 [8]	.51 [12]	.12 [3]	.96 [24]	12 OR 348	PINK	W25VT W25RT (4)	W25VT W25RT (4)	----	A25R A2CAB (2)	U25RT U2CABT (2)	U25RT U2CABT (2)	U25RT U2CABT (2)	MECHANICAL: MY29-11 (1) HYDRAULIC: Y644, Y644M Y644MBH, Y1000 Y1000BH (1)	1-7/16		
YAZ25-2TC14-45			2	1.63 [41]	1.96 [50]	1.64 [42]	3.16 [80]	2.93 [74]	.27 [7]	.31 [8]	.51 [12]	.12 [3]		1.09 [28]	12 OR 348	PINK	W25VT W25RT (4)	W25VT W25RT (4)	----	A25R A2CAB (2)	U25RT U2CABT (2)	U25RT U2CABT (2)			U25RT U2CABT (2)	
YAZ25-2TC14-90			3	1.96 [50]																						1.64 [42]
YAZ25-2TC14E2			1	1.38 [35]	.75 [19]	.75 [19]	1.63 [41]	.27 [7]	.31 [8]	.51 [12]	.12 [3]	1.09 [28]		12 OR 348	PINK	W25VT W25RT (4)	W25VT W25RT (4)	----	A25R A2CAB (2)	U25RT U2CABT (2)	U25RT U2CABT (2)	U25RT U2CABT (2)				
YAZ25-2TC14E2-45			2	1.38 [35]	.75 [19]	.75 [19]	1.63 [41]	.27 [7]	.31 [8]	.51 [12]	.12 [3]	1.09 [28]		12 OR 348	PINK	W25VT W25RT (4)	W25VT W25RT (4)	----	A25R A2CAB (2)	U25RT U2CABT (2)	U25RT U2CABT (2)	U25RT U2CABT (2)				
YAZ25-2TC14E2-90	3	1.38 [35]	.75 [19]	.75 [19]	1.96 [50]	.27 [7]	.31 [8]	.51 [12]	.12 [3]	1.09 [28]	12 OR 348	PINK	W25VT W25RT (4)	W25VT W25RT (4)	----	A25R A2CAB (2)	U25RT U2CABT (2)	U25RT U2CABT (2)	U25RT U2CABT (2)							



NOTES:

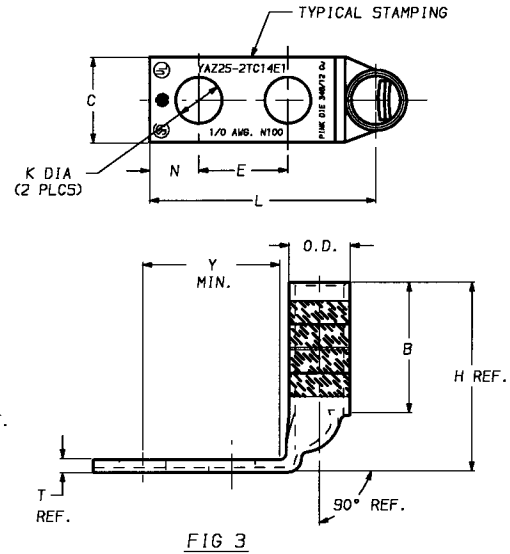
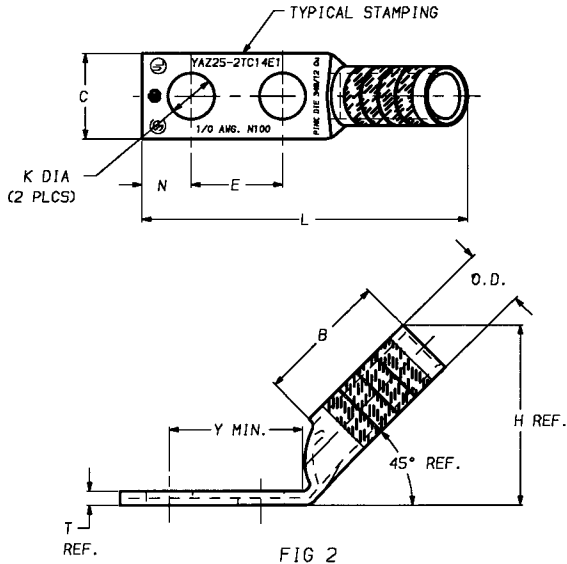
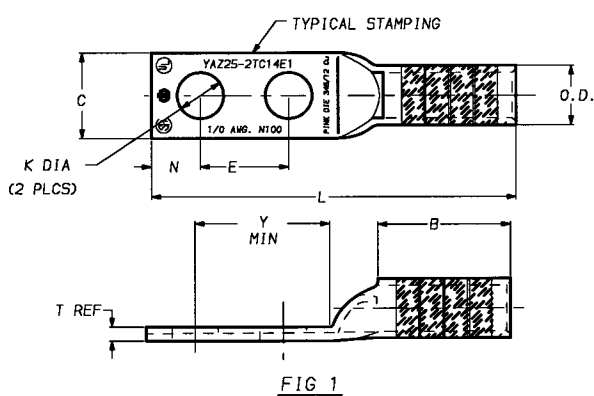
1. MATERIAL: COPPER TUBING.
2. FINISH: TIN PLATED
3. CATALOG # PT6515 ADAPTOR IS REQUIRED TO USE "U" DIES IN Y45 SERIES TOOLS.
4. CATALOG # PUADP-1 ADAPTOR IS REQUIRED TO USE "U" DIES IN Y46 SERIES TOOLS.
5. NAVY CABLE SIZE MAY BE OMITTED ON SOME SIZES BECAUSE OF SPACE LIMITATIONS.
6. DIMENSIONS, METRIC WIRE, & METRIC BOLT SIZES IN BRACKETS [] ARE IN MILLIMETERS. DIMENSIONS ARE ROUNDED OFF TO THE NEAREST MILLIMETER, UNLESS OTHERWISE NOTED, AND ARE FOR REFERENCE ONLY.
7. FOR USE BY CUSTOMERS THAT HAVE THIS HYPRESS.™ NO NEW Y34A HYPRESS™ ARE BEING PROCESSED.

HYLUG™		SCALE
CAT NO. YAZ25-2TC- (SEE TABLE)		NTS
DRAWN: D. BOISVERT	11/12/98	CHECKED: K. HENRY 12/03/98
DSGN APPVL: B. MACDONALD 12/02/98	ENGR APPVL: N/A	
G.A. APPVL: S. GRAY 11/30/98	MKTS APPVL: B HARGROVE 11/25/98	
CAD FILE: SE211915-20_0	PH REF: N/A	
FRAMATONE CONNECTORS USA INC.	MDL REF: N/A	
BURNDY ELECTRICAL	PROJECT:	
	DRAWING NO.	REV
	SE211915	0
	SHEET 20	OF 36

Q	11/13/98	RELEASED PER ECO 4612	DB	KH
REV.	DATE	DESCRIPTION	BY	C'K'D.

MANCHESTER, NH 03108
U. S. A.
1-800-346-4175

CATALOG NO.	CONDUCTOR		BOLT SIZE	FIG. NO.	DIMENSIONS										INSTALLATION TOOLING (# CRIMPS)										
	CODE (AWG)	NAVY			B	C	E	H	K DIA.	L	N	O.D.	T REF.	Y MIN.	DIE INDEX	COLOR CODE	MECHANICAL RATCHET			HYDRAULIC				DIELESS (# CRIMPS)	WIRE STRIP LENGTH
					±.06	±.04	±.02	REF.	±.02	±.09	±.04	±.01					MD7-34R MD6	OURB40	Y2MR	Y34A	Y750 Y35, BAT35 Y39, BAT750	Y46	Y45		
YAZ25-2TC14E1	1/0 AWG	100	1	1.38 [35]	.75 [19]	1.00 [25]	---	.27 [7]	3.41 [87]	.31 [8]	.51 [13]	.12 [3]	1.34 [34]	12 OR 348	PINK	W25VT W25RT (4)	W25VT W25RT (4)	---	A25R A2CAB (2)	U25RT U2CABT (2)	U25RT U2CABT (2)	U25RT U2CABT (2)	MECHANICAL; MY29-11 (1)	1-7/16	
YAZ25-2TC14E1-45			2																						
YAZ25-2TC14E1-90			3																						
YAZ25-2TC516E6			1																						
YAZ25-2TC516E6-45			2			.88 [22]	---	.33 [8]	3.35 [85]	.34 [9]	.51 [13]	.12 [3]	1.24 [31]	12 OR 348	PINK	W25VT W25RT (4)	W25VT W25RT (4)	---	A25R A2CAB (2)	U25RT U2CABT (2)	U25RT U2CABT (2)	U25RT U2CABT (2)	HYDRAULIC; Y644, Y644M Y644MBH, Y1000 Y1000BH (1)	1-7/16	
YAZ25-2TC516E6-90			3																						



NOTES:

- MATERIAL: COPPER TUBING.
- FINISH: TIN PLATED
- CATALOG # PT6515 ADAPTOR IS REQUIRED TO USE "U" DIES IN Y45 SERIES TOOLS.
- CATALOG # PUADP-1 ADAPTOR IS REQUIRED TO USE "U" DIES IN Y46 SERIES TOOLS.
- NAVY CABLE SIZE MAY BE OMITTED ON SOME SIZES BECAUSE OF SPACE LIMITATIONS.
- DIMENSIONS, METRIC WIRE, & METRIC BOLT SIZES IN BRACKETS [] ARE IN MILLIMETERS. DIMENSIONS ARE ROUNDED OFF TO THE NEAREST MILLIMETER, UNLESS OTHERWISE NOTED, AND ARE FOR REFERENCE ONLY.
- FOR USE BY CUSTOMERS THAT HAVE THIS HYPRESS.™ NO NEW Y34A HYPRESS™ ARE BEING PROCESSED.

HYLUG™		SCALE
CAT NO. YAZ25-2TC- (SEE TABLE)		NTS
DRAWN, D. BOISVERT	11/12/98	CHECKED, K. HENRY 12/03/98
DSGN APPL. B. MACDONALD 12/02/98	MFG APPL. N/A	
G.A. APPL. S. GRAY 11/30/98	MKTG APPL. B. HARGROVE 11/25/98	
CAD FILE: SE211915-21_0	PM REF. N/A	
FRAMATOME CONNECTORS USA INC. BURNDY ELECTRICAL		MOL REF. N/A
PROJECT: .		
DRAWING NO.		REV
SE211915		0
SHEET 21 of 36		

0	11/16/98	RELEASE PER ECO 4612.	DB	KH
REV.	DATE	DESCRIPTION	BY	C'K'D.

REV. 06/1995

CATALOG NO.	CONDUCTOR		BOLT SIZE	FIG. NO.	DIMENSIONS										INSTALLATION TOOLING (CRIMPS)										WIRE STRIP LENGTH				
	CODE (AWG)	NAVY			B	C	E	H	K DIA.	L	N	O.D.	T REF.	Y MIN.	DIE INDEX	COLOR CODE	MECHANICAL RATCHET			HYDRAULIC				DIELESS (CRIMPS)					
					±.06	±.04	±.02	REF.	±.02	±.09	±.04	±.01	[3]	[35]			MD7-34R MD6	OURB40	Y2MR	Y34A	Y750 Y35, BAT35 Y39, BAT750	Y46	Y45			MECHANICAL: MY29-11 (1)			
YAZ25-2TC516	1/0 AWG [-----]	100	5/16 [M8]	1	1.38 [35]	.75 [19]	1.00 [25]	----	.33 [8]	3.47 [88]	.34 [9]	.51 [13]	.12 [3]	12 OR 348	PINK	W25VT	W25VT	----	A25R A2CAB (2)	U25RT U2CABT (2)	U25RT U2CABT (2)	U25RT U2CABT (2)	HYDRAULIC: Y644, Y644M, Y644MBH, Y1000 Y1000BH (1)	1-7/16					
YAZ25-2TC516-45				2	1.63 [41]	1.96 [50]	3.24 [82]	2.08 [53]	.40 [10]	.41 [10]	.51 [13]	.12 [3]	1.37 [35]			12 OR 348	PINK	W25VT	W25VT	----	A25R A2CAB (2)	U25RT U2CABT (2)			U25RT U2CABT (2)	U25RT U2CABT (2)			
YAZ25-2TC516-90				3	1.96 [50]	3.60 [91]	3.37 [86]	2.20 [56]										1.43 [36]	12 OR 348	PINK	W25VT	W25VT			----	A25R A2CAB (2)	U25RT U2CABT (2)	U25RT U2CABT (2)	U25RT U2CABT (2)
YAZ25-2TC38				1	1.63 [41]	1.96 [50]	3.37 [86]	2.20 [56]													1.43 [36]	12 OR 348			PINK	W25VT	W25VT	----	A25R A2CAB (2)
YAZ25-2TC38-45	2	1.63 [41]	1.96 [50]	3.37 [86]	2.20 [56]	1.43 [36]	12 OR 348	PINK						W25VT	W25VT								----	A25R A2CAB (2)		U25RT U2CABT (2)	U25RT U2CABT (2)	U25RT U2CABT (2)	
YAZ25-2TC38-90	3	1.38 [35]	.75 [19]	1.00 [25]	1.96 [50]				1.43 [36]	12 OR 348	PINK	W25VT	W25VT	----	A25R A2CAB (2)	U25RT U2CABT (2)	U25RT U2CABT (2)						U25RT U2CABT (2)						

C

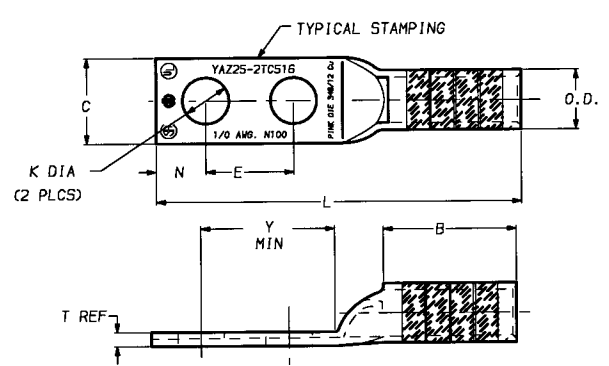


FIG 1

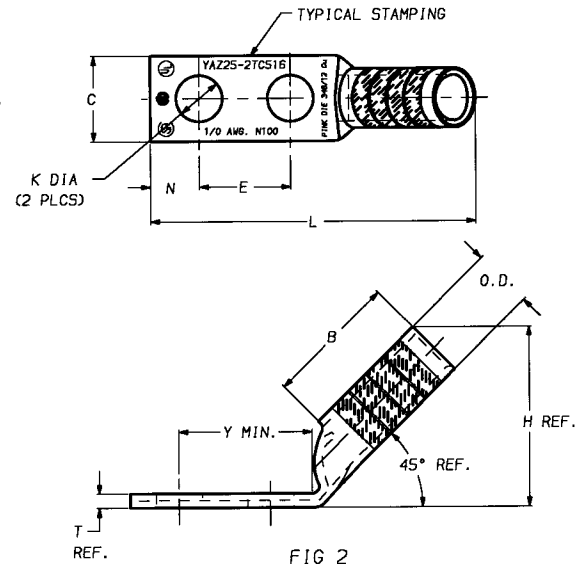


FIG 2

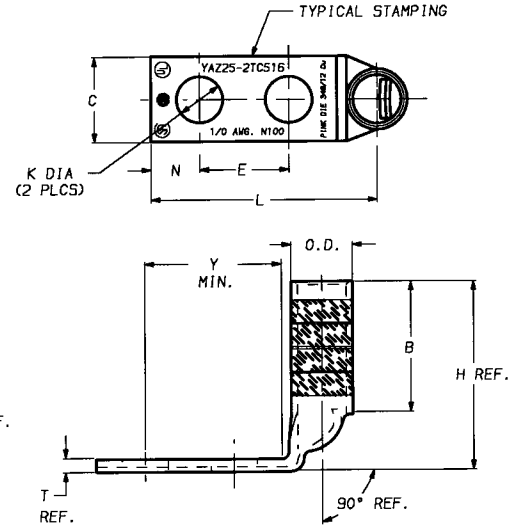


FIG 3

NOTES:

1. MATERIAL: COPPER TUBING.
2. FINISH: TIN PLATED
3. CATALOG # PT6515 ADAPTOR IS REQUIRED TO USE "U" DIES IN Y45 SERIES TOOLS.
4. CATALOG # PUADP-1 ADAPTOR IS REQUIRED TO USE "U" DIES IN Y46 SERIES TOOLS.
5. NAVY CABLE SIZE MAY BE OMITTED ON SOME SIZES BECAUSE OF SPACE LIMITATIONS.
6. DIMENSIONS, METRIC WIRE, & METRIC BOLT SIZES IN BRACKETS [] ARE IN MILLIMETERS. DIMENSIONS ARE ROUNDED OFF TO THE NEAREST MILLIMETER, UNLESS OTHERWISE NOTED, AND ARE FOR REFERENCE ONLY.
7. FOR USE BY CUSTOMERS THAT HAVE THIS HYPRESS.™ NO NEW Y34A HYPRESS™ ARE BEING PROCESSED.

A

HYLUG™			
CAT NO. YAZ25-2TC- (SEE TABLE)	SCALE NTS		
DRAWN: D. BOISVERT 11/12/98	CHECKED: K. HENRY 12/03/98		
DSGN APPL: B. MACDONALD 12/02/98	MFG APPL: N/A		
Q.A. APPL: S. GRAY 11/30/98	MKTG APPL: B. HARGROVE 11/25/98		
CAD FILE: SE211915-22_0	PN REF: N/A		
FRAMATOME CONNECTORS USA INC.	MKL REF: N/A		
BURNDY ELECTRICAL	PROJECT: _____		
		DRAWING NO.	REV
		SE211915	0
		SHEET 22 OF 36	

0	11/17/98	RELEASED PER ECO 4612.	DB KH
REV.	DATE	DESCRIPTION	BY C'K'D.

REV. 061995

CATALOG NO.	CONDUCTOR		BOLT SIZE	FIG. NO.	DIMENSIONS									INSTALLATION TOOLING (# CRIMPS)						WIRE STRIP LENGTH				
	CODE (AWG)	NAVY			B	C	E	H	K DIA.	L	N	O.D.	T REF.	Y MIN.	MECHANICAL RATCHET			HYDRAULIC			DIELESS (# CRIMPS)			
					±.06	±.04	±.02	REF.	±.02	±.09	±.04	±.01				MD7-34R MD6	OURB40	Y2MR	Y34A			Y750 Y35, BAT35 Y39, BAT750	Y46	Y45
YAZ25-2NTC38			1		----				4.35 [110]					12 OR 348	PINK	W25VT W25RT (4)	W25VT W25RT (4)	----	A25R A2CAB (2)	U25RT U2CABT (2)	U25RT U2CABT (2)	U25RT U2CABT (2)	MECHANICAL: MY29-11 (1) HYDRAULIC: Y644, Y644M Y644MBH, Y1000 Y1000BH (1)	1-7/16
YAZ25-2NTC38-45	1/0 AWG [-----]	100	3/8 [M10]	2	1.38 [35]	.75 [19]	1.75 [44]	1.63 [41]	.40 [10]	4.12 [105]	.41 [10]	.51 [13]	.12 [3]	2.18 [55]										
YAZ25-2NTC38-90				3				1.96 [50]		2.95 [75]														

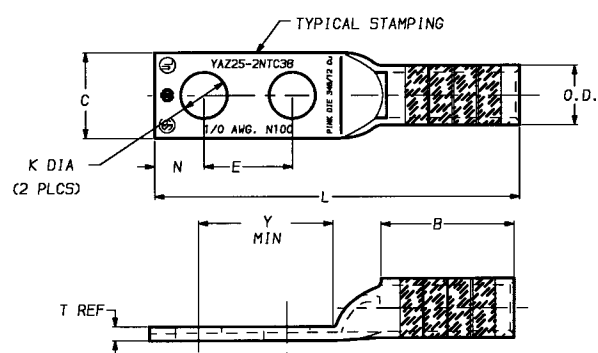


FIG 1

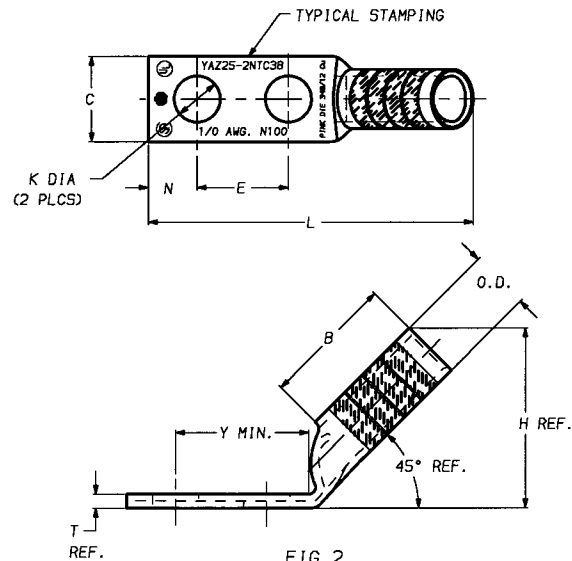


FIG 2

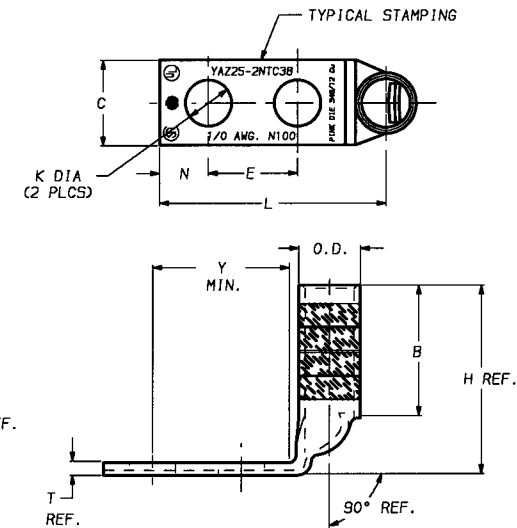


FIG 3

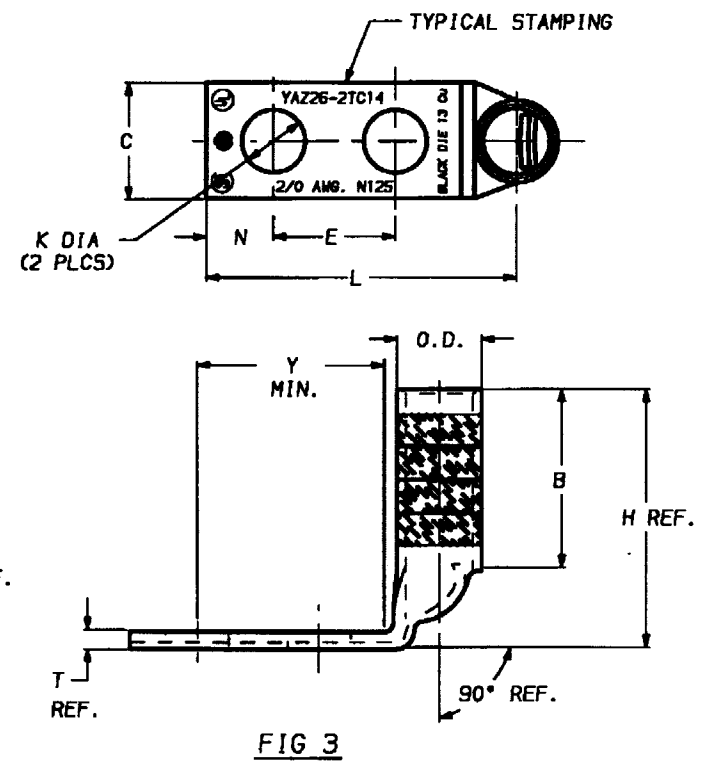
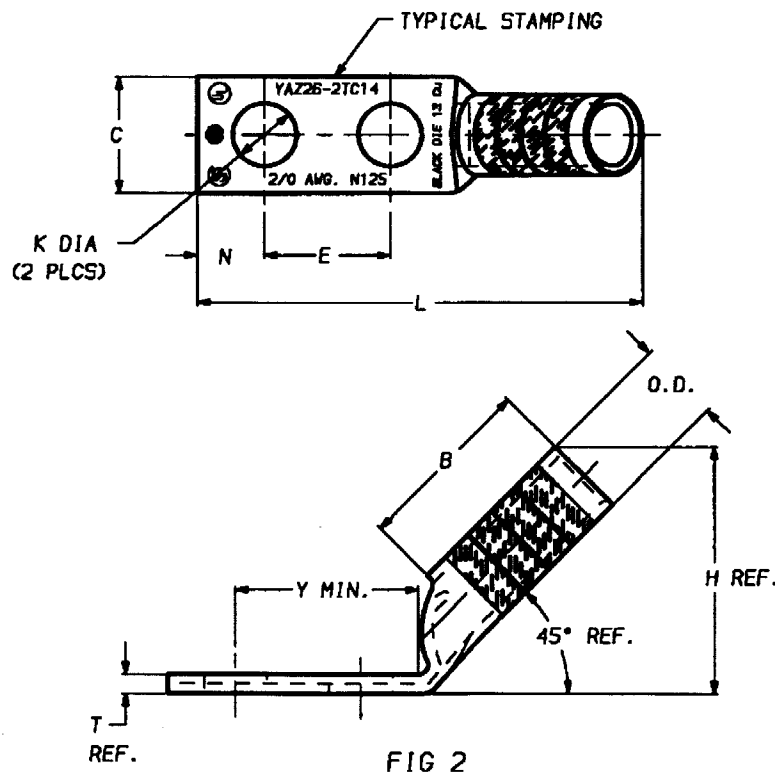
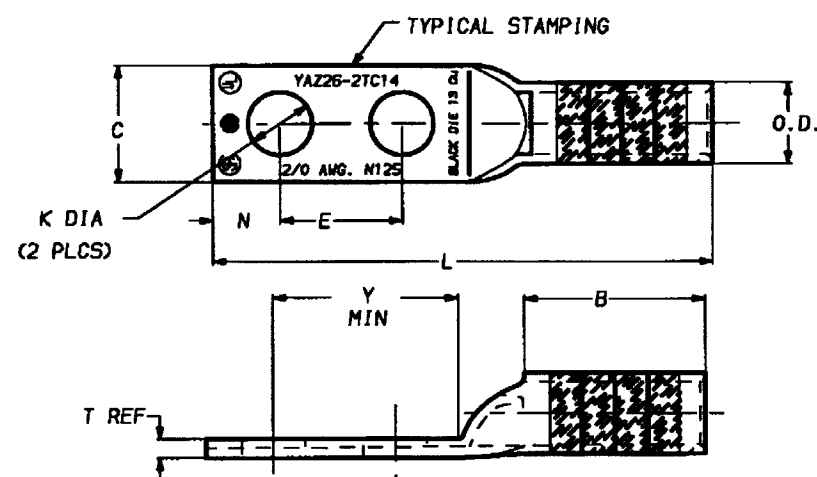
NOTES:

- MATERIAL: COPPER TUBING.
- FINISH: TIN PLATED
- CATALOG # PT6515 ADAPTOR IS REQUIRED TO USE "U" DIES IN Y45 SERIES TOOLS.
- CATALOG # PUADP-1 ADAPTOR IS REQUIRED TO USE "U" DIES IN Y46 SERIES TOOLS.
- NAVY CABLE SIZE MAY BE OMITTED ON SOME SIZES BECAUSE OF SPACE LIMITATIONS.
- DIMENSIONS, METRIC WIRE, & METRIC BOLT SIZES IN BRACKETS [] ARE IN MILLIMETERS. DIMENSIONS ARE ROUNDED OFF TO THE NEAREST MILLIMETER, UNLESS OTHERWISE NOTED, AND ARE FOR REFERENCE ONLY.
- FOR USE BY CUSTOMERS THAT HAVE THIS HYPRESS.TM NO NEW Y34A HYPRESSTM ARE BEING PROCESSED.

HYLUG TM		SCALE	
CAT NO. YAZ25-2NTC38 (SEE TABLE)		NTS	
DRAWN D. BOTSVERT	11/12/98	CHECKED K. HENRY	12/03/98
DSGN APPVL. S. MACDONALD	12/02/98	MFG APPVL. N/A	
G.A. APPVL. S. GRAY	11/30/98	MKTG APPVL. B. HARGROVE	11/25/98
CAD FILE: SE211915-23_0		PM REF. N/A	
FRAMATOME CONNECTORS USA INC.		MDL REF. N/A	
BURNDY ELECTRICAL		PROJECT:	
MANCHESTER, NH 03106		DRAWING NO.	REV
U. S. A.		SE211915	0
1-800-346-4175		SHEET 23	OF 36

0	11/17/98	RELEASED PER ECD 4612.	DB	KH
REV.	DATE	DESCRIPTION	BY	C'K'D.

CATALOG NO.	CONDUCTOR		BOLT SIZE	FIG. NO.	DIMENSIONS									INSTALLATION TOOLING (# CRIMPS)											
	CODE (AWG)	NAVY			B	C	E	H	K DIA.	L	N	O.D.	T REF.	Y MIN.	DIE INDEX	COLOR CODE	MECHANICAL RATCHET			HYDRAULIC				DIELESS (# CRIMPS)	WIRE STRIP LENGTH
					±.08	±.04	±.02	REF.	±.02	±.12	±.04	±.01	T REF.	Y MIN.			MD7-34R MD6	OURB40	Y2MR	Y34A	Y750 Y35, BAT35 Y39, BAT750	Y46	Y45		
YAZ26-2TC14	2/0 AWG [70mm² STR]	125	1/4 [M6]	1	1.50 [38]	.83 [21]				3.20 [81]	.31 [8]	.56 [14]	.12 [3]	.96 [24]	13	BLACK	W26VT W26RT (4)	W26VT W26RT (4)		A26R (2)	U26RT (2)	U26RT (2)	U26RT (2)	MECHANICAL: MY29-11 (1)	1-9/16
YAZ26-2TC14-45				2		.62 [16]	1.78 [45]	.27 [7]	2.92 [74]																
YAZ26-2TC14-90				3				2.12 [54]		1.66 [42]															
YAZ26-2TC14E2	2/0 AWG [70mm² STR]	125	1/4 [M6]	1					3.32 [84]														HYDRAULIC: Y644, Y644M Y644MBH, Y1000 Y1000BH (1)	1-9/16	
YAZ26-2TC14E2-45				2	.75 [19]	1.78 [45]	.27 [7]	3.05 [77]			.31 [8]	.56 [14]	.12 [3]	1.09 [28]											
YAZ26-2TC14E2-90				3				1.50 [38]	.83 [21]			1.79 [45]													



NOTES:

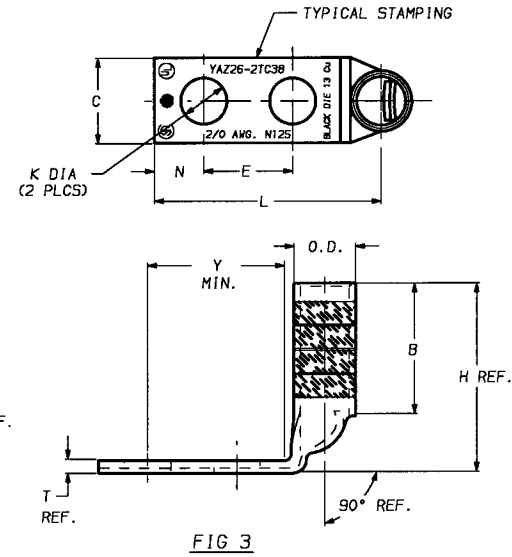
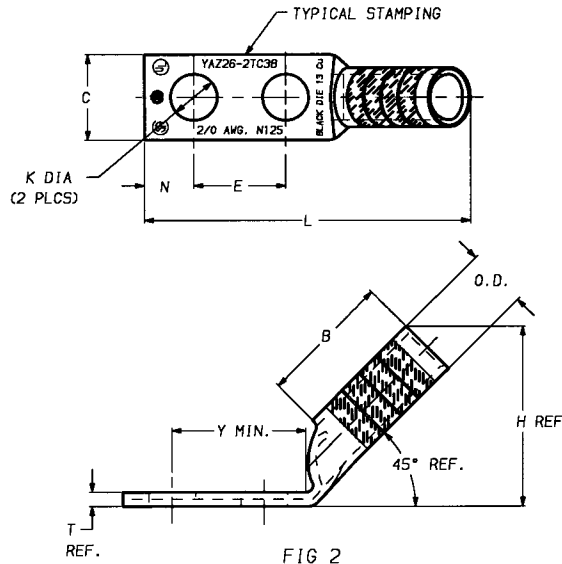
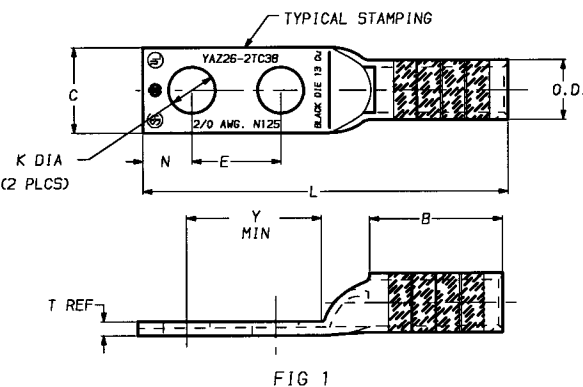
1. MATERIAL: COPPER TUBING.
2. FINISH: TIN PLATED
3. CATALOG # PT6515 ADAPTOR IS REQUIRED TO USE "U" DIES IN Y45 SERIES TOOLS.
4. CATALOG # PUADP-1 ADAPTOR IS REQUIRED TO USE "U" DIES IN Y46 SERIES TOOLS.
5. NAVY CABLE SIZE MAY BE OMITTED ON SOME SIZES BECAUSE OF SPACE LIMITATIONS.
6. DIMENSIONS, METRIC WIRE, & METRIC BOLT SIZES IN BRACKETS [] ARE IN MILLIMETERS. DIMENSIONS ARE ROUNDED OFF TO THE NEAREST MILLIMETER, UNLESS OTHERWISE NOTED, AND ARE FOR REFERENCE ONLY.
7. FOR USE BY CUSTOMERS THAT HAVE THIS HYPRESS.™ NO NEW Y34A HYPRESS™ ARE BEING PROCESSED.

HYLUG™	
CAT NO: YAZ26-2TC (SEE TABLE)	SCALE: NTS
DRWN: D. BOISVERT 11/12/98	CHECKED: K. HENRY 12/03/98
DSGN APPVL: B. MACDONALD 12/02/98	MFG APPVL: N/A
S.A. APPVL: S. GRAY 11/30/98	MKTG APPVL: B. HARGROVE 11/25/98
CAD FILE: SE211915-24_0	PN REF: N/A
FRANATONE CONNECTORS USA INC. BURNBY ELECTRICAL	
PROJECT: _____	
DRAWING NO. SE211915	
REV. 0	

REV.	DATE	DESCRIPTION	BY	C.K'D.
0	11/17/98	RELEASED PER ECO 4612.	DB	KH

FRANATONE CONNECTORS USA INC.
BURNBY ELECTRICAL
NANCHESTER, NH 03109
U. S. A.
1-800-346-4175

CATALOG NO.	CONDUCTOR		BOLT SIZE	FIG. NO.	DIMENSIONS											INSTALLATION TOOLING (# CRIMPS)									
	CODE (AWG)	NAVY			B	C	E	H	K DIA.	L	N	O.D.	T REF.	Y MIN.	DIE INDEX	COLOR CODE	MECHANICAL RATCHET			HYDRAULIC			DIELESS (# CRIMPS)	WIRE STRIP LENGTH	
					$\pm .08$	$\pm .04$	$\pm .02$	REF.	$\pm .02$	$\pm .12$	$\pm .04$	$\pm .01$													
YAZ26-2TC38			1																						
YAZ26-2TC38-45	2/0 AWG [70mm ² STR]	125	3/8 [M10]	2	1.50 [38]	.83 [21]	1.00 [25]	1.78 [45]	.40 [10]	3.48 [88]	.41 [10]	.56 [14]	.12 [3]	1.43 [36]	13	BLACK	W26VT W26RT (4)	W26VT W26RT (4)		A26R (2)	Y750 Y35, BAT35 Y39, BAT750	Y46 (2)	Y45 (2)	MECHANICAL: MY29-11 (1) HYDRAULIC: Y644, Y644M Y644MBH, Y1000 Y1000BH (1)	1-9/16
YAZ26-2TC38-90			3					2.12 [54]		2.22 [56]															



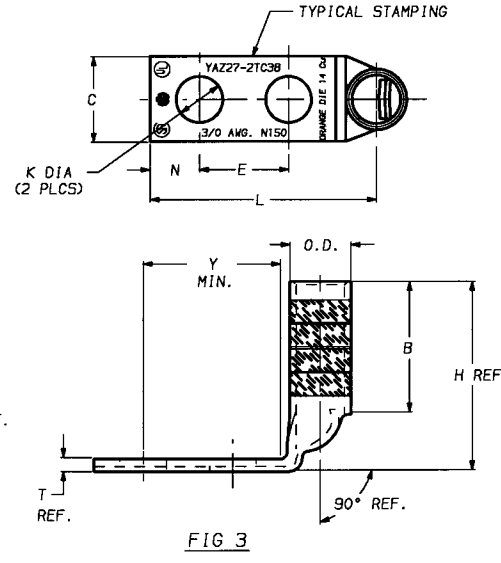
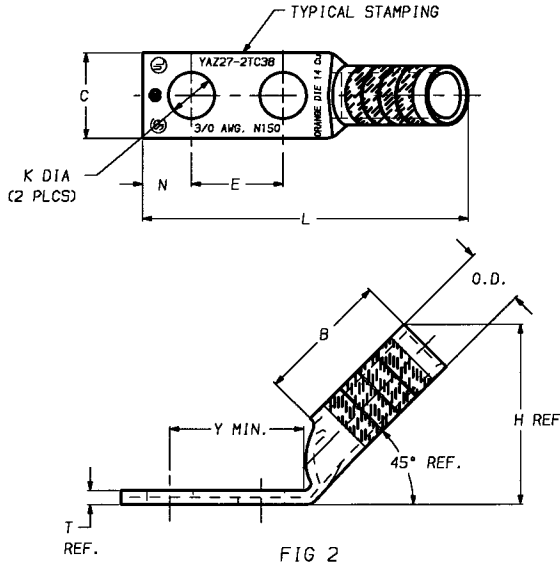
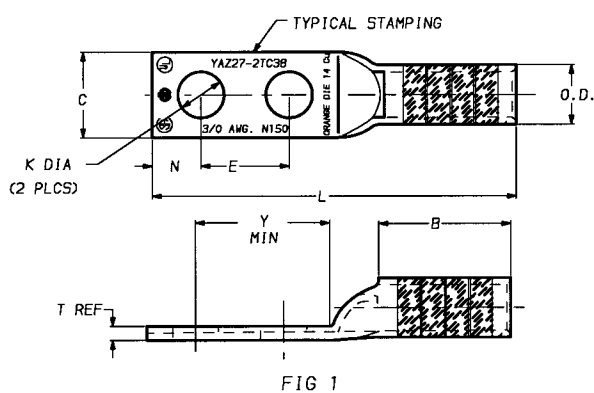
NOTES:

1. MATERIAL: COPPER TUBING.
2. FINISH: TIN PLATED
3. CATALOG # PT6515 ADAPTOR IS REQUIRED TO USE "U" DIES IN Y45 SERIES TOOLS.
4. CATALOG # PUADP-1 ADAPTOR IS REQUIRED TO USE "U" DIES IN Y46 SERIES TOOLS.
5. NAVY CABLE SIZE MAY BE OMITTED ON SOME SIZES BECAUSE OF SPACE LIMITATIONS.
6. DIMENSIONS, METRIC WIRE, & METRIC BOLT SIZES IN BRACKETS [] ARE IN MILLIMETERS. DIMENSIONS ARE ROUNDED OFF TO THE NEAREST MILLIMETER, UNLESS OTHERWISE NOTED, AND ARE FOR REFERENCE ONLY.
7. FOR USE BY CUSTOMERS THAT HAVE THIS HYPRESS.TM NO NEW Y34A HYPRESSTM ARE BEING PROCESSED.

HYLUG TM				
CAT NO. YAZ26-2TC (SEE TABLE)	SCALE			
DRAWN, D. BOLSVERT	11/12/98			
CHECKED, K. HENRY	12/03/98			
DSGN APPL., B. MACDONALD	12/02/98			
MFG APPL., N/A				
G.A. APPL., S. GRAY	11/30/98			
MKTG APPL., B. HARGROVE	11/25/98			
CAD FILE: SE211915-25_0	PN REF, N/A			
MDL REF, N/A				
FRAMATONE CONNECTORS USA INC.				
BURDNDY ELECTRICAL				
PROJECT . . .				
DRAWING NO.				
SE211915				
SHEET 25 of 36				
REV. 0	DATE 11/17/98	DESCRIPTION RELEASED PER ECO 4612.	DB	KH
			BY	C'K'D.

MANCHESTER, NH 03108
 U. S. A.
 1-800-346-4175

CATALOG NO.	CONDUCTOR		BOLT SIZE	FIG. NO.	DIMENSIONS										INSTALLATION TOOLING (# CRIMPS)													
	CODE (AWG)	NAVY			B	C	E	H	K DIA.	L	N	O.D.	T REF.	Y MIN.	DIE INDEX	COLOR CODE	MECHANICAL RATCHET			HYDRAULIC				DIELESS (# CRIMPS)	WIRE STRIP LENGTH			
					±.08	±.04	±.02	REF.	±.02	±.12	±.04	±.01					M07-34R MD6	OURB40	Y2MR	Y34A	Y750 Y35, BAT35 Y39, BAT750	Y46	Y45					
YAZ27-2TC14E2	3/0 AWG [-----]	150	1/4 [M6]	1	1.50 [38]	.90 [23]			.27 [7]		3.36 [85]		.62 [16]	.12 [3]	1.09 [28]	14	ORANGE	W27VT	W27VT	----	A27R (2)	U27RT (2)	U27RT (2)	U27RT (2)	MECHANICAL: MY29-11 (1) HYDRAULIC: Y644, Y644M, Y644MBH, Y1000, Y1000BH (1)	1-9/16		
YAZ27-2TC14E2-45				2		.75 [19]	1.84 [47]				.31 [8]		3.08 [78]						W27RT (4)	W27RT (4)								
YAZ27-2TC14E2-90				3										1.82 [46]						W27RT (4)	W27RT (4)							
YAZ27-2TC38	3/0 AWG [-----]	150	3/8 [M10]	1							3.80 [97]														1-9/16			
YAZ27-2TC38-45				2		1.00 [25]				.40 [10]			3.52 [89]		.62 [16]	.12 [3]	1.43 [36]			W27VT	W27VT		A27R (2)			U27RT (2)	U27RT (2)	U27RT (2)
YAZ27-2TC38-90				3									2.25 [57]							W27RT (4)	W27RT (4)							



NOTES:

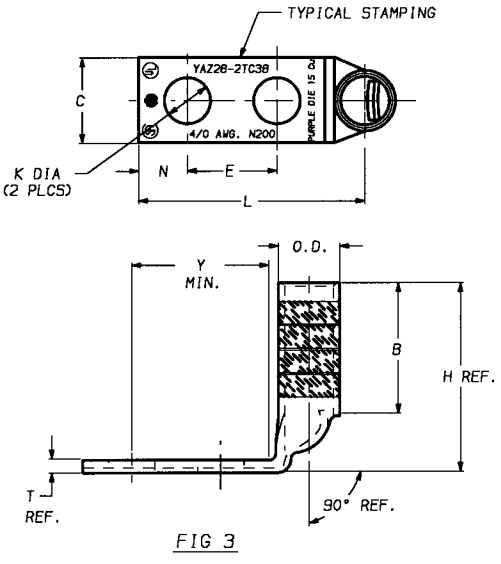
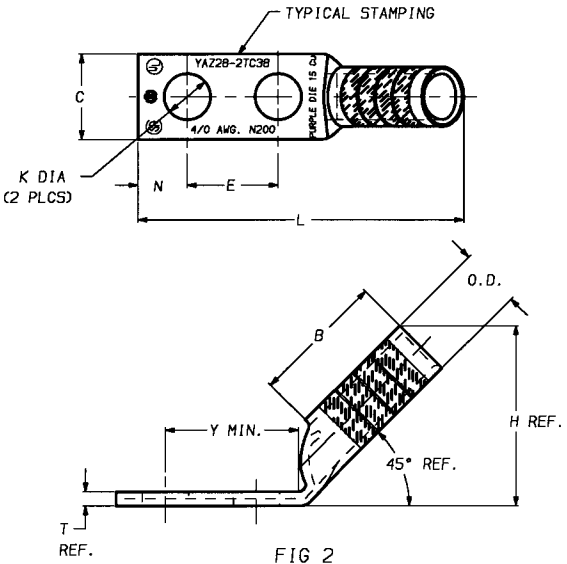
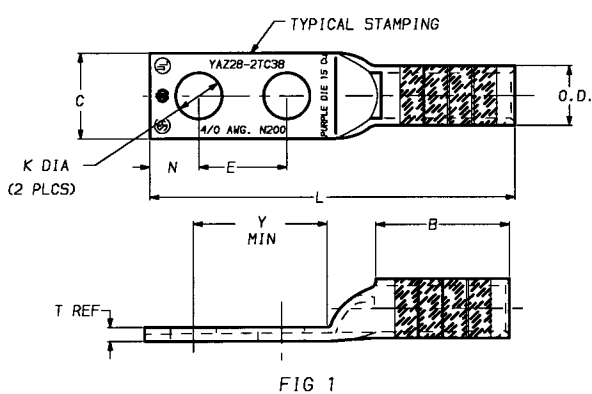
- MATERIAL: COPPER TUBING.
- FINISH: TIN PLATED
- CATALOG # PT6515 ADAPTOR IS REQUIRED TO USE "U" DIES IN Y45 SERIES TOOLS.
- CATALOG # PUADP-1 ADAPTOR IS REQUIRED TO USE "U" DIES IN Y46 SERIES TOOLS.
- NAVY CABLE SIZE MAY BE OMITTED ON SOME SIZES BECAUSE OF SPACE LIMITATIONS.
- DIMENSIONS, METRIC WIRE, & METRIC BOLT SIZES IN BRACKETS [] ARE IN MILLIMETERS. DIMENSIONS ARE ROUNDED OFF TO THE NEAREST MILLIMETER, UNLESS OTHERWISE NOTED, AND ARE FOR REFERENCE ONLY.
- FOR USE BY CUSTOMERS THAT HAVE THIS HYPRESS.™ NO NEW Y34A HYPRESS™ ARE BEING PROCESSED.

HYLUG™

CAT NO. YAZ27-2TC- (SEE TABLE)		SCALE
DRAWN: D. BOISVERT		NTS
11/12/98		CHECKED: K. HENRY 12/03/98
DESIGN APPVL: B. MACDONALD 12/02/98		MFG APPVL: N/A
C.A. APPVL: S. GRAY 11/30/98		MKTG APPVL: B. HARGROVE 11/25/98
CAD FILE: SE211915-26_0		PN REF: N/A
FRAMATONE CONNECTORS USA INC.		MDL REF: N/A
BURLYNDY ELECTRICAL		PROJECT:
		DRAWING NO.
		REV
		SE211915
		SHEET 26 of 36

0	11/17/98	RELEASED PER ECO 4612.	DB	KH
REV.	DATE	DESCRIPTION	BY	C'K'D.

SE211915	CONDUCTOR		BOLT SIZE	FIG. NO.	DIMENSIONS											INSTALLATION TOOLING (# CRIMPS)													
	CATALOG NO.	CODE (AWG)			NAVY	B	C	E	H	K DIA.	L	N	O.D.	T REF.	Y MIN.	DIE INDEX	COLOR CODE	MECHANICAL RATCHET		HYDRAULIC						DIELESS (# CRIMPS)	WIRE STRIP LENGTH		
						±.08	±.04	±.02	REF.	±.02	±.12	±.04	±.01					MD7-34R MD6	OURB40	Y34A	Y750	Y46	Y45	Y48B	Y60B				
YAZ28-2TC14E2	4/0 AWG	200	5	1	1.62 [41]	1.02 [26]				3.55 [90]				.69 [18]	.14 [4]	1.09 [28]	15	PURPLE	W28VT W28RT (4)	W28VT W28RT (4)	A28R (2)	U28RT (2)	U28RT (2)	U28RT (2)	U28RT (2)	C28R (2)	L28RT (1)	MECHANICAL: MY29-11 (1)	1-11/16
YAZ28-2TC14E2-45			1/4 [M6]	2			.75 [19]	2.02 [51]	.27 [7]	3.25 [83]	.31 [8]																		
YAZ28-2TC14E2-90				3				2.36 [60]		1.86 [47]																			
YAZ28-2TC38				1						3.99 [101]																			
YAZ28-2TC38-45			3/8 [M10]	2			1.00 [25]	2.02 [51]	.40 [10]	3.69 [94]	.41 [10]																		
YAZ28-2TC38-90	4/0 AWG	200		3	1.62 [41]	1.02 [26]		2.36 [60]		2.30 [58]			.69 [18]	.14 [4]	1.43 [36]	15	PURPLE	W28VT W28RT (4)	W28VT W28RT (4)	A28R (2)	U28RT (2)	U28RT (2)	U28RT (2)	U28RT (2)	C28R (2)	L28RT (1)	HYDRAULIC: Y644, Y644M, Y644MBH, Y1000, Y1000BH (1)	1-11/16	



- NOTES:**
- MATERIAL: COPPER TUBING.
 - FINISH: TIN PLATED
 - CATALOG # PT6515 ADAPTOR IS REQUIRED TO USE "U" DIES IN Y45 SERIES TOOLS.
 - CATALOG # PUADP-1 ADAPTOR IS REQUIRED TO USE "U" DIES IN Y46 SERIES TOOLS.
 - NAVY CABLE SIZE MAY BE OMITTED ON SOME SIZES BECAUSE OF SPACE LIMITATIONS.
 - DIMENSIONS, METRIC WIRE, & METRIC BOLT SIZES IN BRACKETS [] ARE IN MILLIMETERS. DIMENSIONS ARE ROUNDED OFF TO THE NEAREST MILLIMETER, UNLESS OTHERWISE NOTED, AND ARE FOR REFERENCE ONLY.
 - FOR USE BY CUSTOMERS THAT HAVE THIS HYPRESS.TM NO NEW Y34A HYPRESSTM ARE BEING PROCESSED.
 - OVERLAPPING CRIMPS ARE REQUIRED ON THESE SIZES.

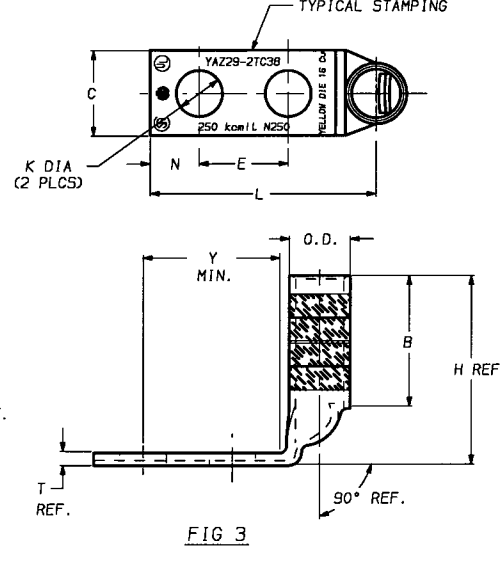
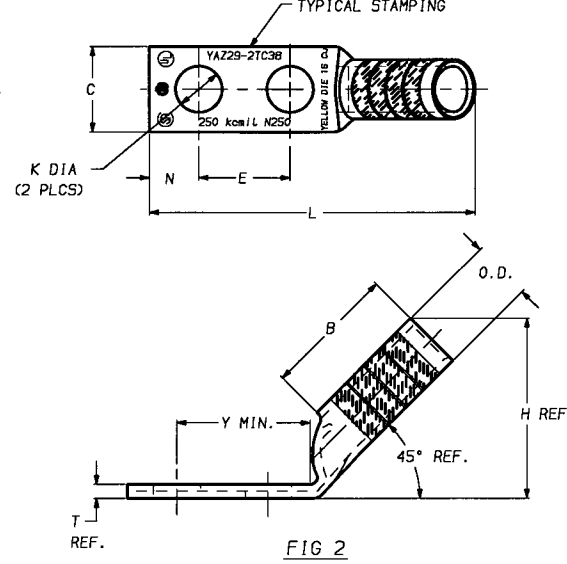
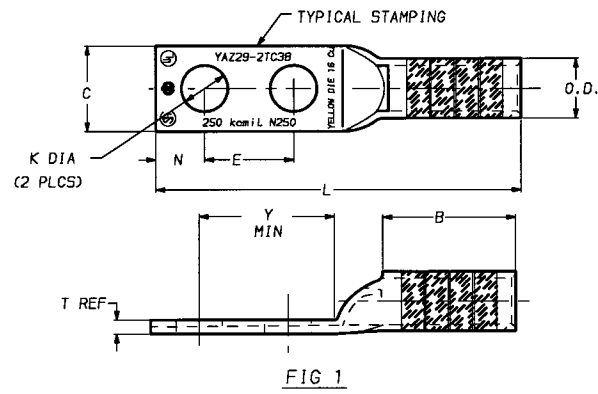
HYLUGTM

CAT NO. YAZ28-2TC- (SEE TABLE)	SCALE
DRAWN: D. BOLSVERT 11/12/98	CHECKED: K. HENRY 12/03/98
DSGN APPVL: B. MACDONALD 12/02/98	MFG APPVL: N/A
Q.A. APPVL: S. GRAY 11/30/98	MKTG APPVL: B. HARGROVE 11/25/98
CAD FILE: SE211915-27_0	PN REF: N/A
FRAMATONE CONNECTORS USA INC. BURNEDY ELECTRICAL	MDL REF: N/A
PROJECT:	DRAWING NO.
MANCHESTER, NH 03108 U.S.A. 1-800-346-4175	SE211915
	SHEET 27 of 36

0	11/17/98	RELEASED PER ECO 4612.	DB	KH
REV.	DATE	DESCRIPTION	BY	C'K'D.

REV. 06/1995

CATALOG NO.	CONDUCTOR		BOLT SIZE	FIG. NO.	DIMENSIONS										INSTALLATION TOOLING (# CRIMPS)										WIRE STRIP LENGTH												
	CODE (AWG)	NAVY			B	C	E	H	K DIA.	L	N	O.D.	T REF.	Y MIN.	DIE INDEX	COLOR CODE	MECHANICAL RATCHET		HYDRAULIC							DIELESS (# CRIMPS)											
			±.08	±.04	±.02	REF.	±.02	±.12	±.04	±.01	REF.	MIN.	MD7-34R M06	OURB40			Y34A	Y750	Y46	Y45	Y48B	Y60B															
YAZ29-2TC3B				1					---		3.99																										
YAZ29-2TC3B-45	250 kcmil [120mm ² STR]	250	3/8 [M10]	2	1.62 [41]	1.10 [28]	1.00 [25]	2.09 [53]	.40 [10]		3.73 [95]		.41 [10]	.75 [19]	.14 [4]	1.43 [36]	16	YELLOW	W29VT W29RT (4)	X29RT (6)	A29R (2)	Y35, BAT35 Y39, BAT750	Y46 (4)	Y45 (3)	Y48B (8)	Y60B (1)								HYDRAULIC: Y644, Y644M Y644MBH, Y1000 Y1000BH (1)	1-11/16		
YAZ29-2TC3B-90				3				2.42 [61]			2.34 [59]																										



NOTES:

1. MATERIAL: COPPER TUBING.

2. FINISH: TIN PLATED

3. CATALOG # PT6515 ADAPTOR IS REQUIRED TO USE "U" DIES IN Y45 SERIES TOOLS.

4. CATALOG # PUADP-1 ADAPTOR IS REQUIRED TO USE "U" DIES IN Y46 SERIES TOOLS.

5. NAVY CABLE SIZE MAY BE OMITTED ON SOME SIZES BECAUSE OF SPACE LIMITATIONS.

6. DIMENSIONS, METRIC WIRE, & METRIC BOLT SIZES IN BRACKETS [] ARE IN MILLIMETERS. DIMENSIONS ARE ROUNDED OFF TO THE NEAREST MILLIMETER, UNLESS OTHERWISE NOTED, AND ARE FOR REFERENCE ONLY.

7. FOR USE BY CUSTOMERS THAT HAVE THIS HYPRESS.™ NO NEW Y34A HYPRESS™ ARE BEING PROCESSED.

8. OVERLAPPING CRIMPS ARE REQUIRED ON THESE SIZES.

HYLUG™

CAT. NO. YAZ29-2TC- (SEE TABLE)		SCALE
DRAWN: D. BOISVERT 11/12/98		NTS
CHECKED: K. HENRY 12/03/98		
DSSN APPVL. B. MACDONALD 12/02/98		NFG APPVL. N/A
Q.A. APPVL. S. GRAY 11/30/98		MKTS APPVL. B. HARGROVE 11/25/98
CAD FILE: SE211915-29_0		PN REF. N/A
FRAMATOME CONNECTORS USA INC. BURNBY ELECTRICAL		MDL REF. N/A
PROJECT:		DRAWING NO.
		REV

0	11/19/98	RELEASED PER ECD 4612.	DB	KH
REV.	DATE	DESCRIPTION	BY	C.K.D.

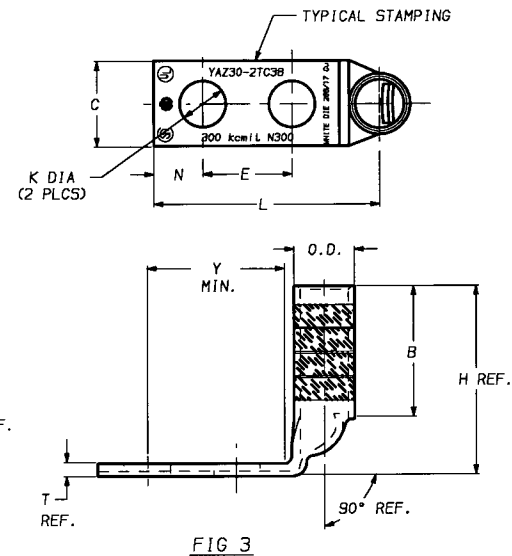
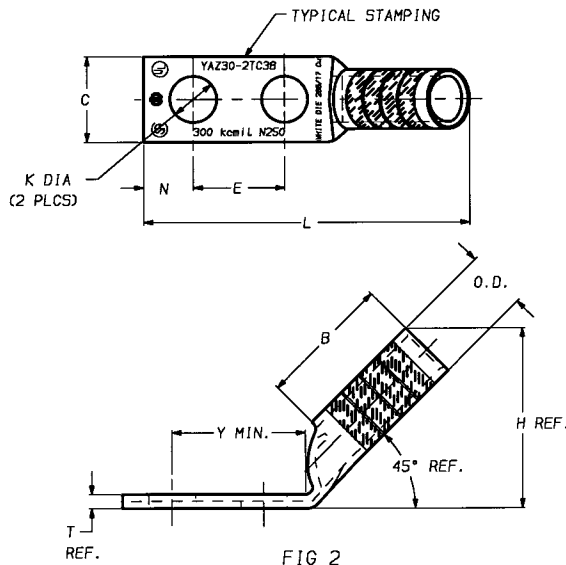
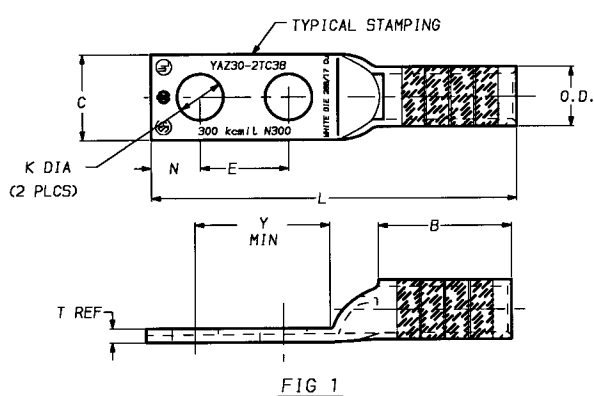
SE211915

SHEET 29 of 36

0

REV. 051895

CATALOG NO.	CONDUCTOR		BOLT SIZE	FIG. NO.	DIMENSIONS										INSTALLATION TOOLING (# CRIMPS)									WIRE STRIP LENGTH								
	CODE (AWG)	NAVY			B	C	E	H	K DIA.	L	N	O.D.	T REF.	Y MIN.	DIE INDEX	COLOR CODE	MECHANICAL RATCHET MD7-34R	HYDRAULIC							DIELESS (# CRIMPS)							
					$\pm .08$	$\pm .04$	$\pm .02$	REF.	$\pm .02$	$\pm .12$	$\pm .04$	$\pm .01$																				
YAZ30-2TC38				1				---		4.42 [112]																						
YAZ30-2TC38-45	300 kcmil [150mm ² STR]	300	3/8 [M10]	2	2.00 [51]	1.20 [30]	1.00 [25]	2.44 [62]	.40 [10]	4.04 [103]	.41 [10]	.81 [21]	.16 [4]	1.43 [36]	17 OR 298	WHITE	W30RT (4)	Y34A (7) Y35, BAT35 Y39, BAT750	Y46 (4) Y45 (3)	Y48B	Y60B				HYDRAULIC: Y644, Y644M Y644MBH, Y1000 Y1000BH (1)					2-1/16		
YAZ30-2TC38-90				3				2.86 [73]		2.37 [60]																						



NOTES:

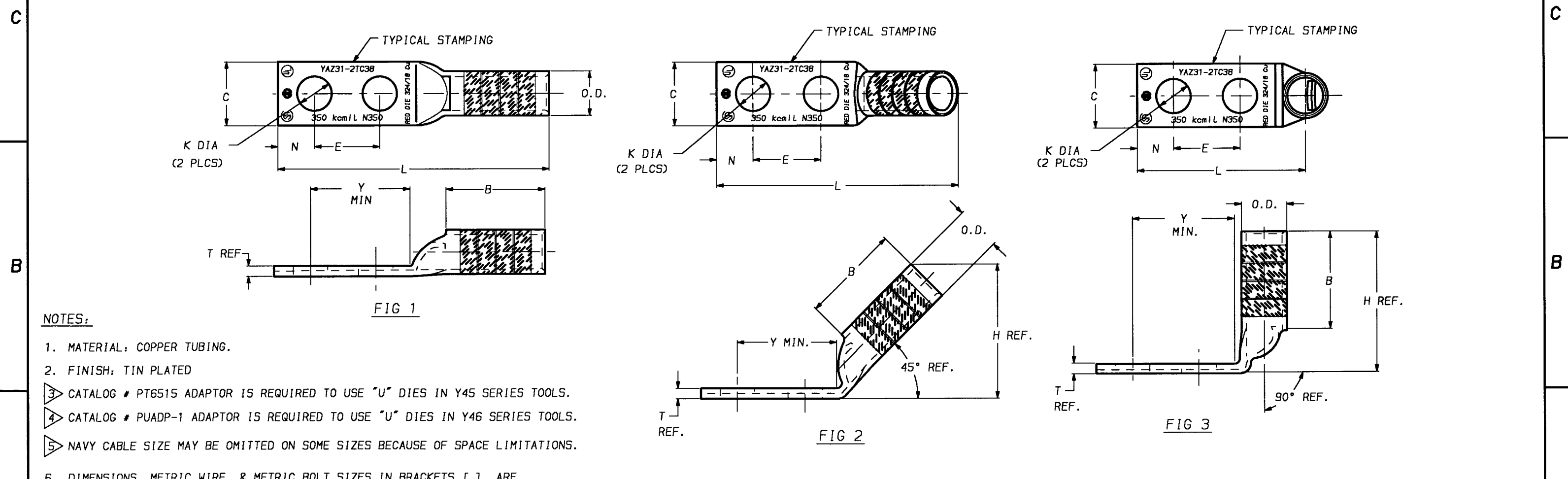
- MATERIAL: COPPER TUBING.
- FINISH: TIN PLATED
- CATALOG # PT6515 ADAPTOR IS REQUIRED TO USE "U" DIES IN Y45 SERIES TOOLS.
- CATALOG # PUADP-1 ADAPTOR IS REQUIRED TO USE "U" DIES IN Y46 SERIES TOOLS.
- NAVY CABLE SIZE MAY BE OMITTED ON SOME SIZES BECAUSE OF SPACE LIMITATIONS.
- DIMENSIONS, METRIC WIRE, & METRIC BOLT SIZES IN BRACKETS [] ARE IN MILLIMETERS. DIMENSIONS ARE ROUNDED OFF TO THE NEAREST MILLIMETER, UNLESS OTHERWISE NOTED, AND ARE FOR REFERENCE ONLY.
- FOR USE BY CUSTOMERS THAT HAVE THIS HYPRESS.TM NO NEW Y34A HYPRESSTM ARE BEING PROCESSED.

HYLUG TM		SCALE
CAT NO. YAZ30-2TC- (SEE TABLE)		NTS
DRAWN: D. BOISVERT	11/12/98	CHECKED: K. HENRY 12/03/98
DSGN APPVL: B. MACDONALD 12/02/98	MFG APPVL: N/A	
Q.A. APPVL: S. GRAY 11/30/98	MKTS APPVL: B. HARGROVE 11/25/98	
CAD FILE: SE211915-30_0	PN REF: N/A	
FRAMATOME CONNECTORS USA INC. BURNED ELECTRICAL	IND. REF: N/A	
	PROJECT:	
	DRAWING NO.	REV
	SE211915	0
	SHEET 30 of 36	

Q	11/19/98	RELEASED PER ECO 4612.	DB	KH
REV.	DATE	DESCRIPTION	BY	C'K'D.

fci MANCHESTER, NH 03108
U. S. A.
1-800-346-4175

CATALOG NO.	CONDUCTOR		BOLT SIZE	FIG. NO.	DIMENSIONS								INSTALLATION TOOLING (# CRIMPS)										WIRE STRIP LENGTH																
	CODE (AWG)	NAVY			B ±.08	C ±.04	E ±.02	H REF.	K DIA. ±.02	L ±.12	N ±.04	O.D. ±.01	T REF.	Y MIN.	DIE INDEX	COLOR CODE	MECHANICAL RATCHET MD7-34R	HYDRAULIC						DIELESS (# CRIMPS)															
																		Y34A	Y750 Y35, BAT35 Y39, BAT750	Y46	Y45	Y48B			Y60B														
YAZ31-2TC14E2	350 kmil L [----]	350	1/4 [M6]	1	2.00 [51]	1.29 [33]	.75 [19]	----	.27 [7]	3.66 [93]	.31 [8]	.88 [22]	.18 [5]	1.09 [28]	18 OR 324	RED	W31VT W31RT (4)	A31R A29AR (4)	U31RT U29ART (4)	U31RT U29ART (4)	U31RT U29ART (4)	C31R C29AR (1)	L31RT L29ART (1)	HYDRAULIC: Y644, Y644M, Y644MBH, Y1000 Y1000BH (1)	2-1/16														
YAZ31-2TC14E2-45				2				2.51 [64]																		2.92 [74]	4.45 [113]	4.10 [104]	2.41 [61]	1.43 [36]	18 OR 324	RED	W31VT W31RT (4)	A31R A29AR (4)	U31RT U29ART (4)	U31RT U29ART (4)	U31RT U29ART (4)	C31R C29AR (1)	L31RT L29ART (1)
YAZ31-2TC14E2-90				3				2.92 [74]																		2.41 [61]	2.41 [61]	1.43 [36]	18 OR 324										
YAZ31-2NT38	3/8 [M10]	1	.96 [24]	1.00 [25]	----	.40 [10]	4.45 [113]	4.10 [104]	.41 [10]	1.43 [36]	18 OR 324	RED	W31VT W31RT (4)	A31R A29AR (4)	U31RT U29ART (4)	U31RT U29ART (4)	U31RT U29ART (4)	C31R C29AR (1)	L31RT L29ART (1)																				
YAZ31-2NT38-45		2			2.51 [64]															2.92 [74]	4.45 [113]	4.10 [104]	2.41 [61]			1.43 [36]	18 OR 324			RED	W31VT W31RT (4)	A31R A29AR (4)	U31RT U29ART (4)	U31RT U29ART (4)	U31RT U29ART (4)	C31R C29AR (1)	L31RT L29ART (1)		
YAZ31-2NT38-90		3			2.92 [74]															2.41 [61]	2.41 [61]	1.43 [36]	18 OR 324					RED	W31VT W31RT (4)									A31R A29AR (4)	U31RT U29ART (4)
YAZ31-2TC38	3/8 [M10]	1	1.29 [33]	1.00 [25]	----	.40 [10]	4.45 [113]	4.10 [104]	.41 [10]	1.43 [36]	18 OR 324	RED	W31VT W31RT (4)	A31R A29AR (4)	U31RT U29ART (4)	U31RT U29ART (4)	U31RT U29ART (4)	C31R C29AR (1)	L31RT L29ART (1)																				
YAZ31-2TC38-45		2			2.51 [64]															2.92 [74]	4.45 [113]					4.10 [104]	2.41 [61]			1.43 [36]	18 OR 324	RED	W31VT W31RT (4)	A31R A29AR (4)	U31RT U29ART (4)	U31RT U29ART (4)	U31RT U29ART (4)		
YAZ31-2TC38-90		3			2.92 [74]															2.41 [61]	2.41 [61]	1.43 [36]	18 OR 324			RED	W31VT W31RT (4)	A31R A29AR (4)	U31RT U29ART (4)									U31RT U29ART (4)	U31RT U29ART (4)



- NOTES:**
1. MATERIAL: COPPER TUBING.
 2. FINISH: TIN PLATED
 3. CATALOG # PT6515 ADAPTOR IS REQUIRED TO USE "U" DIES IN Y45 SERIES TOOLS.
 4. CATALOG # PUADP-1 ADAPTOR IS REQUIRED TO USE "U" DIES IN Y46 SERIES TOOLS.
 5. NAVY CABLE SIZE MAY BE OMITTED ON SOME SIZES BECAUSE OF SPACE LIMITATIONS.
 6. DIMENSIONS, METRIC WIRE, & METRIC BOLT SIZES IN BRACKETS [] ARE IN MILLIMETERS. DIMENSIONS ARE ROUNDED OFF TO THE NEAREST MILLIMETER, UNLESS OTHERWISE NOTED, AND ARE FOR REFERENCE ONLY.
 7. FOR USE BY CUSTOMERS THAT HAVE THIS HYPRESS.™ NO NEW Y34A HYPRESS™ ARE BEING PROCESSED.

HYLUG™

CAT NO: YAZ31-2 (TABLE)		SCALE: NTS
DRWN: D. BOISVERT	11/12/98	CHECKED: K. HENRY 12/03/98
DSGN APPVL: B. MACDONALD	12/02/98	MFG APPVL: N/A
Q.A. APPVL: S. GRAY	11/30/98	MKTG APPVL: B. HARGROVE 11/25/98
CAD FILE: SE211915-31_1		PM REF: N/A
FRAMATOME CONNECTORS USA INC.		MDL REF: N/A
BURNDY ELECTRICAL		PROJECT: .
MANCHESTER, NH 03108		DRAWING NO. SE211915
U. S. A.		REV 1
1-800-346-4175		SHEET 31 of 36

REV.	DATE	DESCRIPTION	BY	C'K'D.
1	11/16/99	ADD CAT. NO'S YAZ31-2NT38, -45, -90 PER ECO 5276.	DB	PL
0	11/17/98	RELEASED PER ECO 4612.	DB	KH

REV. 061995

DRAWING NO. SE211915	7		6		5		4		3		2		1												
	CATALOG NO.	CONDUCTOR		BOLT SIZE	FIG. NO.	DIMENSIONS								INSTALLATION TOOLING (# CRIMPS)											
		CODE (AWG)	NAVY			B	C	E	H	K DIA.	L	N	O.D.	T REF.	Y MIN.	DIE INDEX	COLOR CODE	MECHANICAL RATCHET	HYDRAULIC				DIELESS (# CRIMPS)	WIRE STRIP LENGTH	
			±.08	±.04	±.02	REF.	±.02	±.12	±.04	±.01					MD7-34R	Y34A	Y750 Y35, BAT35 Y39, BAT750	Y46	Y45	Y48B	Y60B				
YAZ32-2TC38						----		4.62 [117]																	
YAZ32-2TC38-45	400 kmil L [-----]	400	3/8 [M10]	2	2.12 [54]	1.40 [36]	1.00 [25]	2.69 [68]	.40 [10]	4.25 [108]	.41 [10]	.95 [24]	.19 [5]	1.43 [36]	19 OR 470	BLUE	W32RT (4)	A32R A30AR (4)	U32RT U30ART (4)	U32RT U30ART (4)	C32R C30AR (1)	L32RT L30ART (1)	HYDRAULIC: Y644, Y644M Y644MBH, Y1000 Y1000BH (1)	2-3/16	
YAZ32-2TC38-90				3			3.12 [79]			2.46 [62]															

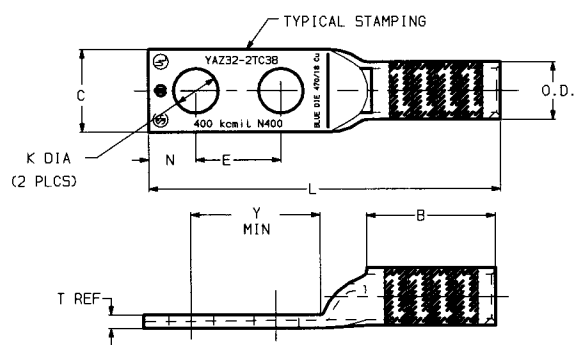


FIG 1

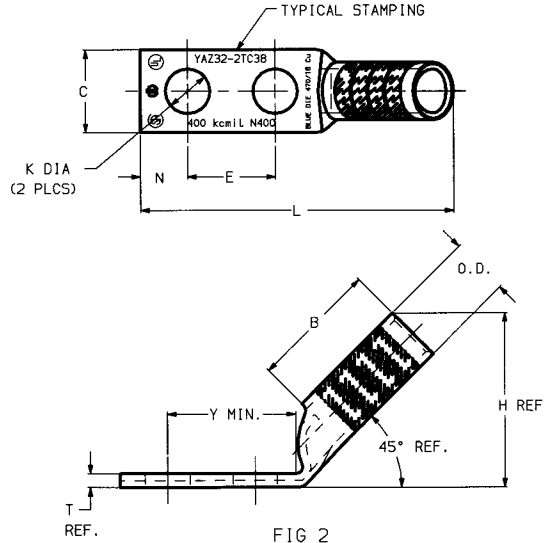


FIG 2

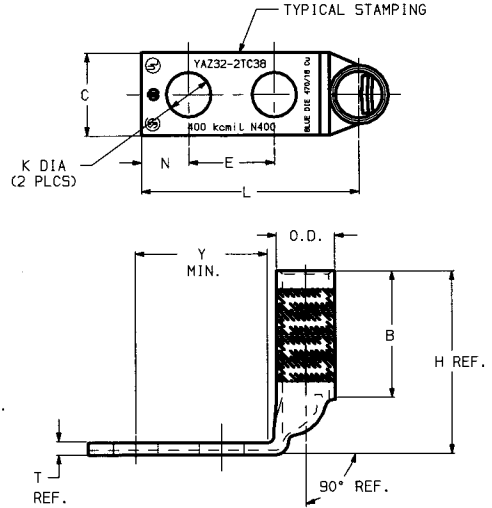


FIG 3

NOTES:

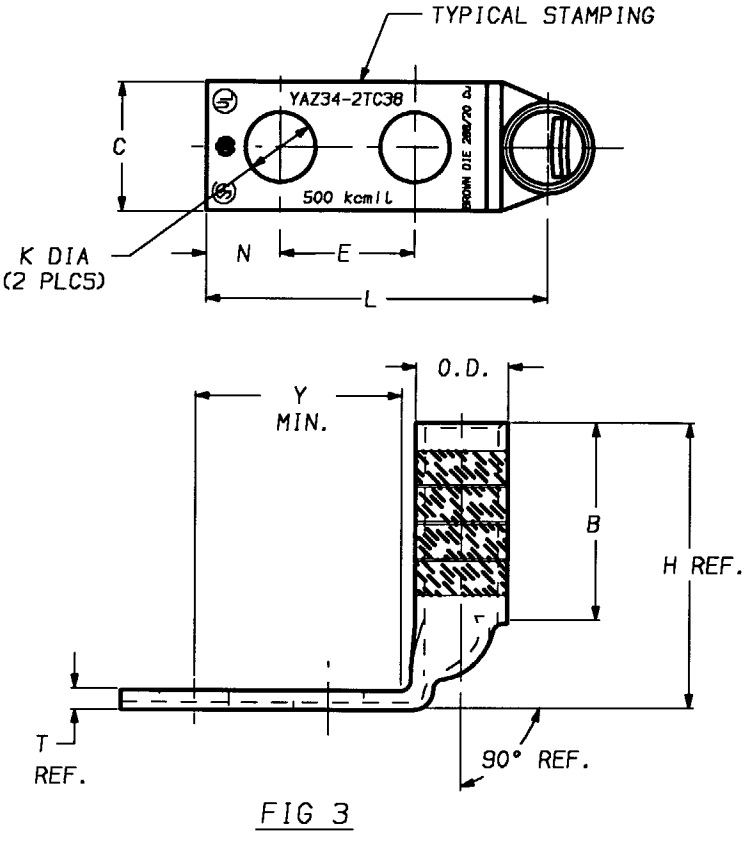
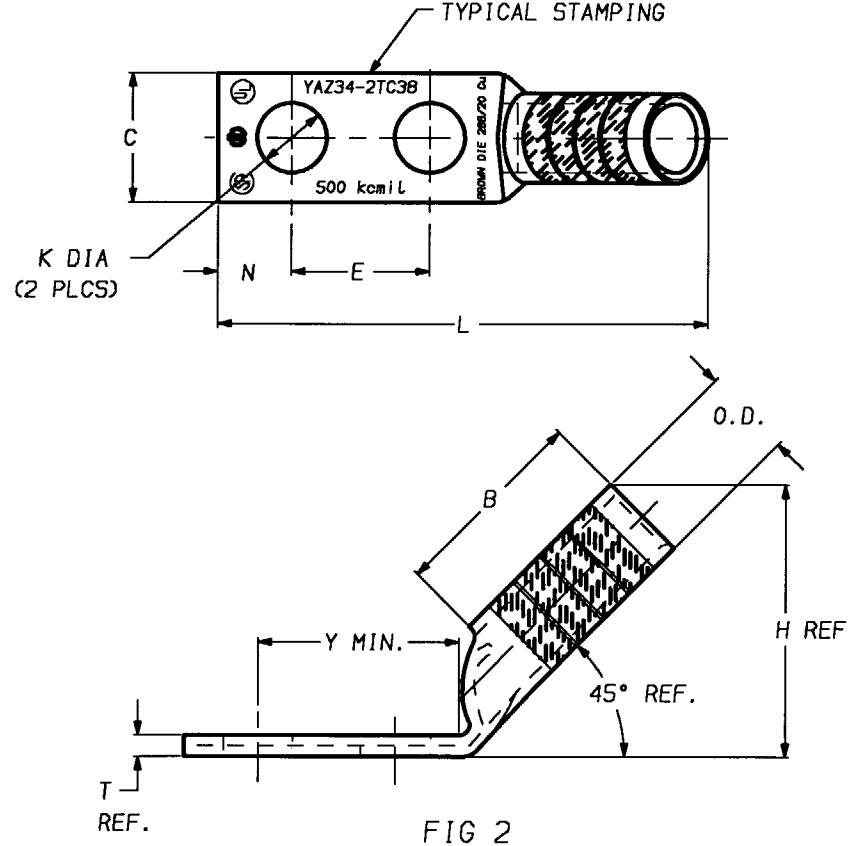
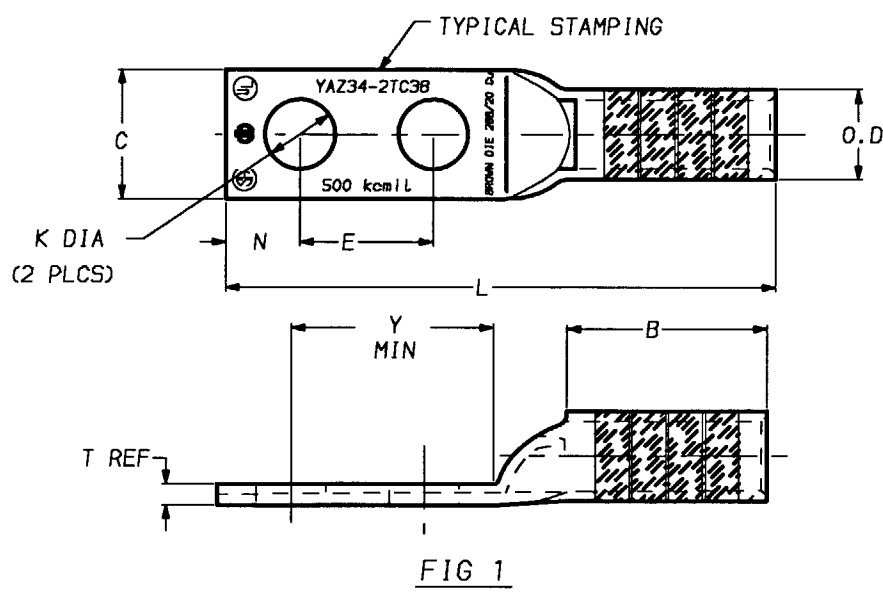
1. MATERIAL: COPPER TUBING.
2. FINISH: TIN PLATED
3. CATALOG # PT6S15 ADAPTOR IS REQUIRED TO USE "U" DIES IN Y45 SERIES TOOLS.
4. CATALOG # PUADP-1 ADAPTOR IS REQUIRED TO USE "U" DIES IN Y46 SERIES TOOLS.
5. NAVY CABLE SIZE MAY BE OMITTED ON SOME SIZES BECAUSE OF SPACE LIMITATIONS.
6. DIMENSIONS, METRIC WIRE, & METRIC BOLT SIZES IN BRACKETS [] ARE IN MILLIMETERS. DIMENSIONS ARE ROUNDED OFF TO THE NEAREST MILLIMETER, UNLESS OTHERWISE NOTED, AND ARE FOR REFERENCE ONLY.
7. FOR USE BY CUSTOMERS THAT HAVE THIS HYPRESS.™ NO NEW Y34A HYPRESS™ ARE BEING PROCESSED.

HYLUG™			
CAT NO: YAZ32-2TC- (SEE TABLE)	SCALE NTS		
DRAWN: D. BOISVERT 11/12/98	CHECKED: K. HENRY 12/03/98		
DSGN APPVL: B. MACDONALD 12/02/98	MFG APPVL: N/A		
D.A. APPVL: S. GRAY 11/30/98	MKTG APPVL: B. HARGROVE 11/25/98		
CAD FILE: SE211915-32_1	PM REF: N/A		
FRAMATOME CONNECTORS USA INC.	MOL REF: N/A		
BURNDY ELECTRICAL	PROJECT: _____		
MANCHESTER, NH 03108	DRAWING NO. SE211915		
U. S. A.	REV. 1		
1-800-346-4175	SHEET 32 OF 36		

REV.	DATE	DESCRIPTION	BY	C.K'D.
1	06/27/00	FIXED REV SHOULD OF BEEN REV 1	JRW	

REV. 061995

SE211915	CONDUCTOR		BOLT SIZE	FIG. NO.	DIMENSIONS										INSTALLATION TOOLING (# CRIMPS)											
	CATALOG NO.	CODE (AWG)			NAVY	B	C	E	H	K DIA.	L	N	O.D.	T REF.	Y MIN.	DIE INDEX	COLOR CODE	MECHANICAL RATCHET MD7-34R	HYDRAULIC						DIELESS (# CRIMPS)	WIRE STRIP LENGTH
																			Y34A	Y750	Y46	Y45	Y48B	Y60B		
YAZ34-2TC14E2	500 kcmil [240mm ² STR]	----	1/4 [M6]	1	2.25 [57]	1.55 [39]	.75 [19]	----	.27 [7]	4.42 [112]	.31 [8]	1.06 [27]	.23 [6]	1.09 [28]	20 OR 299	BROWN	W34RT (4)	A34R (4)	U34RT (4) U31ART (2)	U34RT (4) U31ART (2)	U34RT (4) U31ART (2)	C34R (2) C31AR (1)	L34RT (2)	HYDRAULIC: Y644, Y644M, Y644MBH, Y1000 Y1000BH (1)	2-5/16	
YAZ34-2TC14E2-45				2				2.94 [75]		4.06 [103]																2.10 [53]
YAZ34-2TC14E2-90				3				3.41 [87]		2.54 [65]																
YAZ34-2NT38	1	----	4.85 [123]	.41 [10]																						
YAZ34-2NT38-45	2	.96 [24]	1.00 [25]		2.94 [75]	4.50 [114]																				
YAZ34-2NT38-90	3	3.41 [87]	2.54 [65]																							
YAZ34-2TC38	500 kcmil [240mm ² STR]	----	3/8 [M10]	1	2.25 [57]	1.55 [39]	1.00 [25]	----	.40 [10]	4.85 [123]	.41 [10]	1.06 [27]	.23 [6]	1.43 [36]	20 OR 299	BROWN	W34RT (4)	A34R (4)	U34RT (4) U31ART (2)	U34RT (4) U31ART (2)	U34RT (4) U31ART (2)	C34R (2) C31AR (1)	L34RT (2)			
YAZ34-2TC38-45				2				2.94 [75]		4.50 [114]																2.54 [65]
YAZ34-2TC38-90				3				3.41 [87]		2.54 [65]																



- NOTES:
- MATERIAL: COPPER TUBING.
 - FINISH: TIN PLATED
 - CATALOG # PT6515 ADAPTOR IS REQUIRED TO USE "U" DIES IN Y45 SERIES TOOLS.
 - CATALOG # PUADP-1 ADAPTOR IS REQUIRED TO USE "U" DIES IN Y46 SERIES TOOLS.
 - DIMENSIONS, METRIC WIRE, & METRIC BOLT SIZES IN BRACKETS [] ARE IN MILLIMETERS. DIMENSIONS ARE ROUNDED OFF TO THE NEAREST MILLIMETER, UNLESS OTHERWISE NOTED, AND ARE FOR REFERENCE ONLY.
 - FOR USE BY CUSTOMERS THAT HAVE THIS HYPRESS.™ NO NEW Y34A HYPRESS™ ARE BEING PROCESSED.

REV.	DATE	DESCRIPTION	BY	C'K'D.
1	11/16/99	ADD CAT. NO'S YAZ34-2NT38, -45, -90 TO TABLE PER ECO 5276.	DB	PL
0	11/20/98	RELEASED PER ECO 4612.	DB	KH

HYLUG™

CAT NO: YAZ34-2 (TABLE)		SCALE: NTS
DRWN: D. BOISVERT	11/12/98	CHECKED: K. HENRY 12/03/98
DSGN APPVL: B. MACDONALD	12/02/98	MFG APPVL: N/A
Q.A. APPVL: S. GRAY	11/30/98	MKTG APPVL: B. HARGROVE 11/25/98
CAD FILE: SE211915-33_1		PM REF: N/A
FRAMATOME CONNECTORS USA INC. BURNDY ELECTRICAL		MDL REF: N/A
MANCHESTER, NH 03108 U. S. A.		PROJECT:
1-800-346-4175		DRAWING NO. SE211915
		REV 1
		SHEET 33 OF 36

REV. 061995

SE211915	CONDUCTOR		BOLT SIZE	FIG. NO.	DIMENSIONS										INSTALLATION TOOLING (# CRIMPS)									
	CATALOG NO.	CODE (AWG)			NAVY	B	C	E	H REF.	K DIA.	L	N	O.D.	T REF.	Y MIN.	DIE INDEX	COLOR CODE	HYDRAULIC					DIELESS (# CRIMPS)	WIRE STRIP LENGTH
																		Y750	Y46	Y45	Y48B	Y60B		
YAZ36-2TC38				1												Y35, BAT35 Y39, BAT750								
YAZ36-2TC38-45	600 kcmil [300mm ² STR]	----	3/8 [M10]	2	2.69 [68]	1.74 [44]	1.00 [25]	3.40 [86]	.40 [10]	5.55 [141]	.50 [13]	1.19 [30]	.26 [7]	1.53 [39]	22 OR 472	GREEN	U36RT U32ART (4)	U36RT U32ART (4)	U32RT U30ART (4)	C36R C32AR (2)	L36RT L32ART (2)	HYDRAULIC: Y644, Y644M Y644MBH, Y1000 Y1000BH (1)	2-3/4	
YAZ36-2TC38-90				3				3.99 [101]		2.81 [71]														

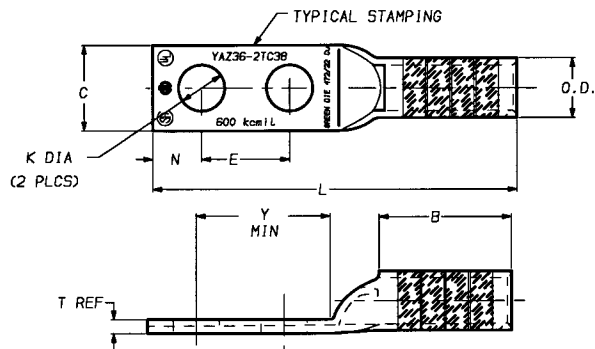


FIG 1

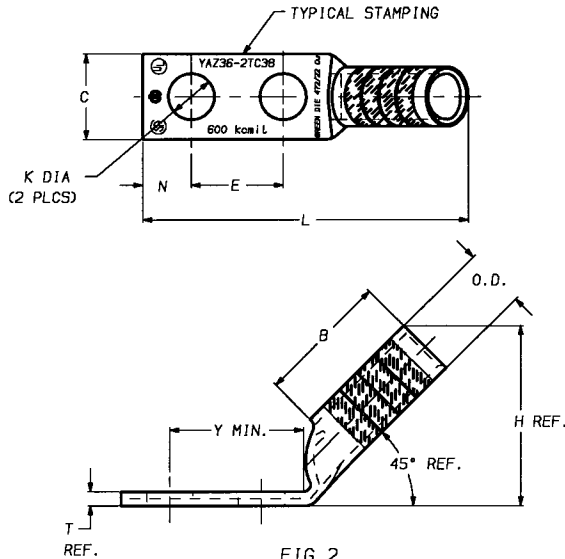


FIG 2

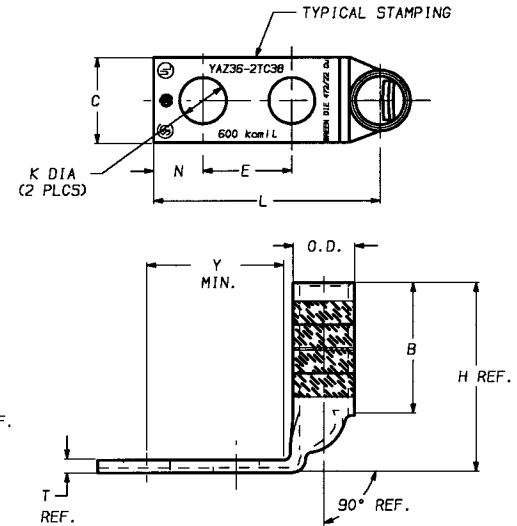


FIG 3

NOTES:

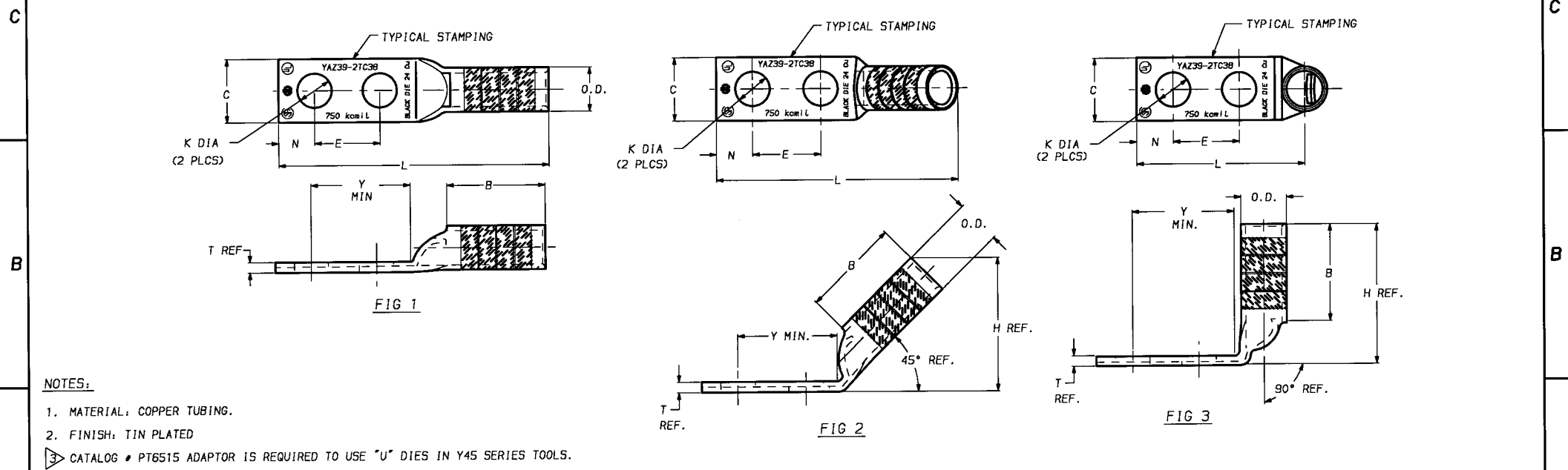
1. MATERIAL: COPPER TUBING.
2. FINISH: TIN PLATED
3. CATALOG # PT6S15 ADAPTOR IS REQUIRED TO USE "U" DIES IN Y45 SERIES TOOLS.
4. CATALOG # PUADP-1 ADAPTOR IS REQUIRED TO USE "U" DIES IN Y46 SERIES TOOLS.
5. DIMENSIONS, METRIC WIRE, & METRIC BOLT SIZES IN BRACKETS [] ARE IN MILLIMETERS. DIMENSIONS ARE ROUNDED OFF TO THE NEAREST MILLIMETER, UNLESS OTHERWISE NOTED, AND ARE FOR REFERENCE ONLY.

0	11/19/98	RELEASED PER ECO 4612.	DB	KH
REV.	DATE	DESCRIPTION	BY	C'K'D.

HYLUG™		SCALE
CAT NO: YAZ36-2TC- (SEE TABLE)		NTS
DRAWN: D. BOISVERT	11/12/98	CHECKED: K. HENRY 12/03/98
DSGN APPVL: B. MACDONALD 12/02/98	MFG APPVL: N/A	
Q.A. APPVL: S. GRAY 11/30/98	MKTG APPVL: B. HARGROVE 11/25/98	
CAD FILE: SE211915-34_0	PH REF: N/A	
FRANATONE CONNECTORS USA INC.	MDL REF: N/A	
BURNDY ELECTRICAL	PROJECT: .	
	DRAWING NO.	REV
	SE211915	0
	SHEET 34	OF 36

REV. 051995

CATALOG NO.	CONDUCTOR		BOLT SIZE	FIG. NO.	DIMENSIONS										INSTALLATION TOOLING (CRIMPS)						WIRE STRIP LENGTH				
	CODE (AWG)	NAVY			B ±.09	C ±.06	E ±.02	H REF.	K DIA. ±.02	L ±.15	N ±.06	O.D. ±.01	T REF.	Y MIN.	DIE INDEX	COLOR CODE	HYDRAULIC					DIELESS (CRIMPS)			
																	Y750 Y35, BAT35 Y39, BAT750	Y46	Y45	Y48B			Y60B		
YAZ39-2NT38	750 kmil L [----]	---	3/8 [M10]	1	2.88 [73]	1.63 [41]	1.00 [25]	---	.40 [10]	5.82 [148]	.50 [13]	1.30 [33]	.27 [7]	1.53 [39]	24	BLACK	U39RT (4)	U39RT (4)	U39RT (4)	C39R (2)	L39RT (2)	HYDRAULIC: Y644, Y644M, Y644MBH, Y1000 Y1000BH (1)	2-15/16		
YAZ39-2NT38-45				2				3.68 [93]																5.34 [136]	2.87 [73]
YAZ39-2NT38-90				3				4.27 [108]																2.87 [73]	5.82 [148]
YAZ39-2TC38	750 kmil L [----]	---	3/8 [M10]	1	2.88 [73]	1.63 [41]	1.91 [49]	---	.40 [10]	5.82 [148]	.50 [13]	1.30 [33]	.27 [7]	1.53 [39]	24	BLACK	U39RT (4)	U39RT (4)	U39RT (4)	C39R (2)	L39RT (2)	HYDRAULIC: Y644, Y644M, Y644MBH, Y1000 Y1000BH (1)	2-15/16		
YAZ39-2TC38-45				2				3.68 [93]																5.34 [136]	2.87 [73]
YAZ39-2TC38-90				3				4.27 [108]																2.87 [73]	5.82 [148]
YAZ39-2NNT	750 kmil L [----]	---	1/2 [M12]	1	2.88 [73]	1.63 [41]	1.75 [44]	---	.56 [14]	6.82 [173]	.62 [16]	1.30 [33]	.27 [7]	2.40 [61]	24	BLACK	U39RT (4)	U39RT (4)	U39RT (4)	C39R (2)	L39RT (2)	HYDRAULIC: Y644, Y644M, Y644MBH, Y1000 Y1000BH (1)	2-15/16		
YAZ39-2NNT-45				2				3.68 [93]																6.34 [161]	3.87 [98]
YAZ39-2NNT-90				3				4.27 [108]																3.87 [98]	6.82 [173]



NOTES:

1. MATERIAL: COPPER TUBING.
2. FINISH: TIN PLATED
3. CATALOG # PT6515 ADAPTOR IS REQUIRED TO USE "U" DIES IN Y45 SERIES TOOLS.
4. CATALOG # PUADP-1 ADAPTOR IS REQUIRED TO USE "U" DIES IN Y46 SERIES TOOLS.
5. DIMENSIONS, METRIC WIRE, & METRIC BOLT SIZES IN BRACKETS [] ARE IN MILLIMETERS. DIMENSIONS ARE ROUNDED OFF TO THE NEAREST MILLIMETER, UNLESS OTHERWISE NOTED, AND ARE FOR REFERENCE ONLY.

HYLUG™	
CAT NO. YAZ39- (SEE TABLE)	SCALE NTS
DRAWN: D. BOISVERT 11/12/98	CHECKED: K. HENRY 12/03/98
DSGN APPL.: B. MACDONALD 12/02/98	MFG APPL.: N/A
Q.A. APPL.: S. GRAY 11/30/98	MKTG APPL.: B. HARGROVE 11/25/98
CAD FILE: SE211915-35_0	PN REF: N/A
FRAMATOME CONNECTORS USA INC.	MDL REF: N/A
BURNDY ELECTRICAL	PROJECT: _____
MANCHESTER, NH 03108	DRAWING NO. SE211915
U. S. A.	REV 0
1-800-346-4175	SHEET 35 OF 36

0	11/20/98	RELEASED PER ECO 4612.	DB	KH
REV.	DATE	DESCRIPTION	BY	C'K'D.

REV. 06/95

DRAWING NO. SE211915	CONDUCTOR		BOLT SIZE	FIG. NO.	DIMENSIONS										INSTALLATION TOOLING (# CRIMPS)								
	CATALOG NO.	CODE (AWG)			NAVY	B ±.09	C ±.06	E ±.02	H REF.	K DIA. ±.02	L ±.15	N ±.06	O.D. ±.01	T REF.	Y MIN.	DIE INDEX	COLOR CODE	HYDRAULIC				DIELESS (# CRIMPS)	WIRE STRIP LENGTH
																		Y46 ◀4	Y45 ◀3	Y48B	Y60B		
YAZ44-2TC38	1000 kcmil [500mm ²]	----	3/8 [M10]	1	3.00 [76]	2.19 [56]	1.00 [25]	----	.40 [10]	6.09 [155]	.50 [13]	1.50 [38]	.33 [8]	1.53 [39]	27	WHITE	S44RT (4)	P44RT (4)	C44R (2)	L44RT (2)	HYDRAULIC: Y644, Y644M Y644MBH, Y1000 Y1000BH (1)	3-1/16	
YAZ44-2TC38-45			2	3.00 [76]	1.00 [25]		4.02 [102]	.40 [10]	5.66 [144]	.50 [13]	1.50 [38]	.33 [8]	1.53 [39]	27	WHITE	S44RT (4)	P44RT (4)	C44R (2)	L44RT (2)				
YAZ44-2TC38-90			3				4.64 [118]		3.02 [77]											6.09 [155]			
YAZ44-2NT38			1			----	6.09 [155]																
YAZ44-2NT38-45			3/8 [M10]	1	3.00 [76]	1.62 [41]	4.02 [102]	.40 [10]	5.66 [144]	.50 [13]	1.50 [38]	.33 [8]	1.53 [39]	27	WHITE	S44RT (4)	P44RT (4)	C44R (2)	L44RT (2)				
YAZ44-2NT38-90							3		4.64 [118]											3.02 [77]			7.09 [180]
YAZ44-2NNT							1		----											7.09 [180]			
YAZ44-2NNT-45	1000 kcmil [500mm ²]	----	1/2 [M12]	2	3.00 [76]	1.75 [44]	4.02 [102]	.56 [14]	6.66 [169]	.62 [16]	1.50 [38]	.33 [8]	2.40 [61]	27	WHITE	S44RT (4)	P44RT (4)	C44R (2)	L44RT (2)				
YAZ44-2NNT-90							3		1.62 [41]											4.02 [102]	4.02 [102]		

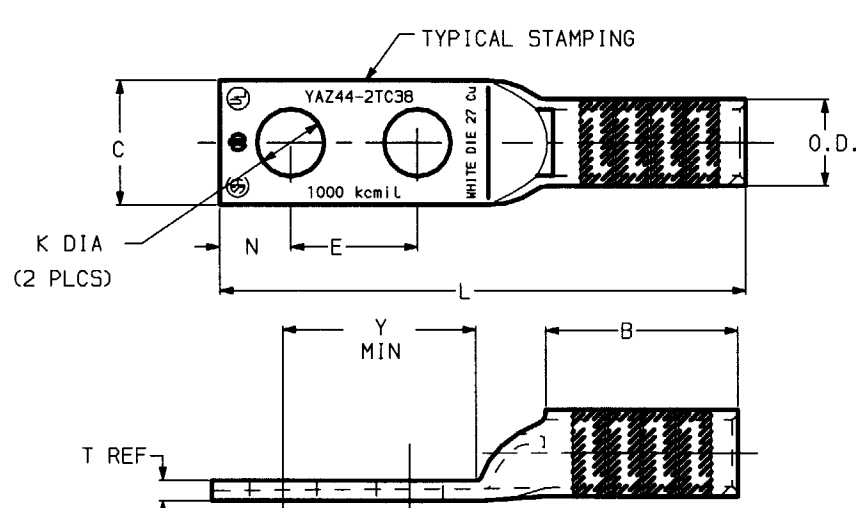


FIG 1

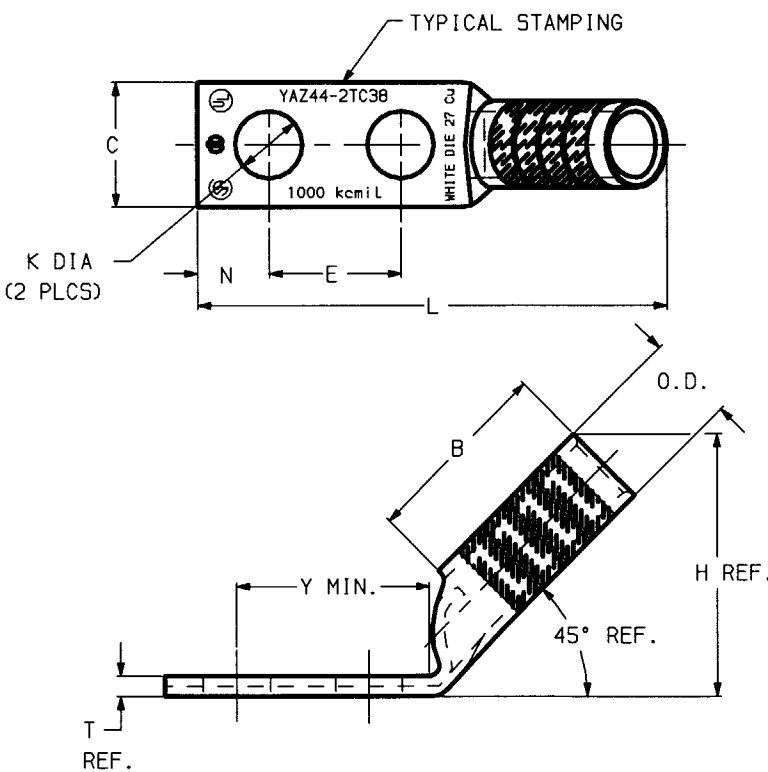


FIG 2

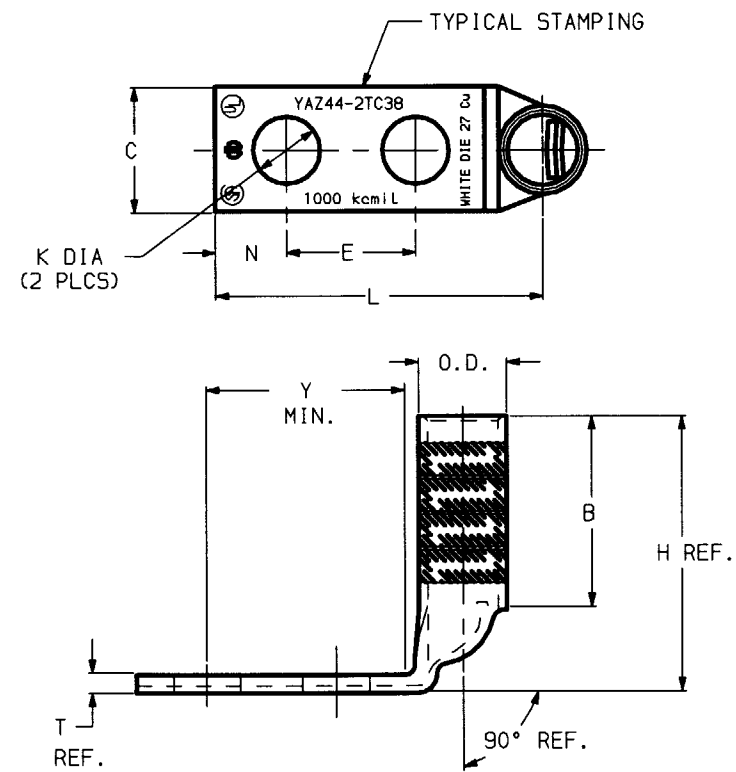


FIG 3

NOTES:

- MATERIAL: COPPER TUBING.
- FINISH: TIN PLATED
- CATALOG # PT6515 ADAPTOR IS REQUIRED TO USE "U" DIES IN Y45 SERIES TOOLS.
- CATALOG # PUADP-1 ADAPTOR IS REQUIRED TO USE "U" DIES IN Y46 SERIES TOOLS.
- DIMENSIONS, METRIC WIRE, & METRIC BOLT SIZES IN BRACKETS [] ARE IN MILLIMETERS. DIMENSIONS ARE ROUNDED OFF TO THE NEAREST MILLIMETER, UNLESS OTHERWISE NOTED, AND ARE FOR REFERENCE ONLY.

TO ORDER BURNDY PRODUCTS CALL 1-800-346-4175
MANCHESTER, NH 03109, USA
FOR PRODUCT INFO = <http://www.fciconnect.com>

HYLUG™ (TWO HOLE CODE)

CAT NO. YAZ44-	(TABLE)	SCALE	NTS
DRAWN: D BOISVERT	11/12/98	CHECKED: K HENRY	12/3/98
DSGN APPVL: R MACDONALD	12/2/98	MFG APPVL: N/A	
Q.A. APPVL: S GRAY	11/30/98	MKTG APPVL: B HARGROVE	11/25/98
CAD FILE: SE211915-36_1		MDL REF: N/A	
DRAWING NO. SE211915		REV 1	

FCI
FRAMATOME GROUP
BURNDY • PACINE • MALICO • SAAE Products

SHEET 36 OF 36

1	10/27/00	ADDED CAT. #5 YAZ44-2NT38 & YAZ44-2NNT	6049	PL	DB
REV.	DATE	DESCRIPTION	ECO	BY	C'K'D.

REV. 012000