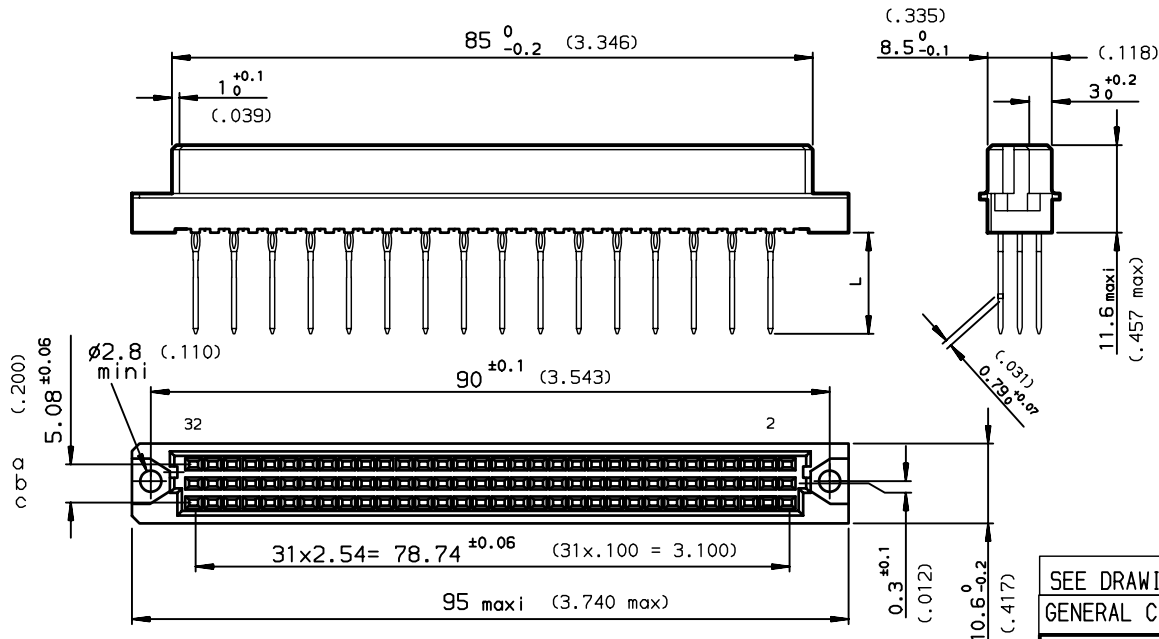
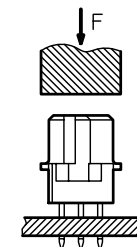


DIMENSIONS mm (inches)



METHOD OF INSERTION
ON THE PCB = FLAT ROCK



SEE DRAWING C-8609-0000C

GENERAL CHARACTERISTICS AND ROHS INFORMATIONS:

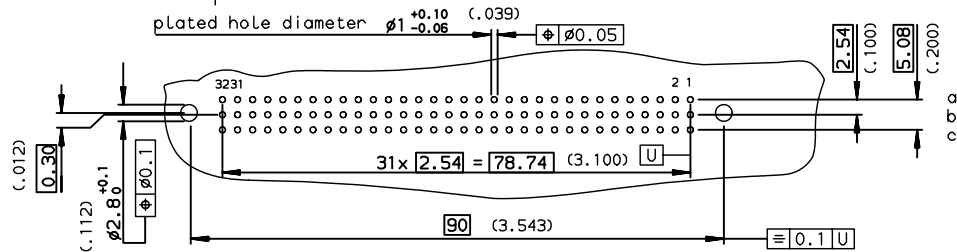
European Views

PART NUMBER	8609			81			7		8	
PIN OUT										
rows a-b-c										
rows a-c										
NUMBER OF CONTACTS										
TERMINATION										
L = 13.10 ±0.20 (.515)										91
L = 17.10 ±0.20 (.673)										92
L = 3.00 ±0.20 (.118)										94
PERFORMANCE CLASS										
DIN 41612 class 3										4
DIN 41612 class 2										5
DIN 41612 class 1										6
TERMINATION TYPE										
TIN LEAD										000E3
LEAD FREE										E3LF

PCB DRILLING

component side

plated hole diameter



rev	ecn no	dr	date
D	-	MAS	1999/08/05
E	LS05-004	JTA	2005/02/28
F	LS06-0095	LGO	2006/06/17
G	LS06-0171	HLG	2006/10/27
H	LS07-0051	HLG	2007/02/21
-	-	-	-
-	-	-	-

www.fciconnect.com	surface ISO 1302	tolerance std ISO 406 ISO 1101	projection mm
TOLERANCES UNLESS OTHERWISE SPECIFIED			
Dr	ROUILLARD	1994/11/14	size A3
Eng	TARON	1994/11/14	Scale 1.5
Chr	LEGARE	1994/11/14	ECN LS07-0051
Appr	LEGARE	1994/11/14	Spec ref -
ANGULAR		0.X ±0.1	Product family DIN 8609
LINEAR		0.XX ±0.1	
0.XX' ±2'		0.XXX ±0.1	
title STRAIGHT FEMALE - STYLE C			Rev. H
catalog no			dwg no C-8609-0437
CUSTOMER			sheet 1 of 1

Copyright FCI. FCJ