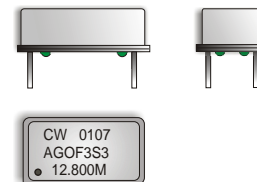


CRYSTAL CONTROLLED OSCILLATORS

14 PIN DIP 3.3V HCMOS STRATUM 3 OCXO



AGOF3S3

ABSOLUTE MAXIMUM RATINGS

TABLE 1.0

PARAMETER	UNITS	MINIMUM	NOMINAL	MAXIMUM	UNITS	NOTE
Storage Temperature		-40	-	85	°C	
Supply Voltage	(Vcc)	-0.5	-	4.5	Vdc	

OPERATING SPECIFICATIONS

TABLE 2.0

PARAMETER		MINIMUM	NOMINAL	MAXIMUM	UNITS	NOTE
Center Frequency	(Fo)		1,544 12,800		MHz	
Frequency Calibration		-1.5	-	1.5	ppm	1
Frequency Stability		-0.25	-	0.25	ppm	2
Total Frequency Tolerance		-4.6	-	4.6	ppm	3
Operating Temperature Range		0	-	70	°C	
Supply Voltage	(Vcc)	3.135	3.3	3.465	Vdc	
Supply Current	(Icc)	-	-	450	mA	
Jitter (BW=12kHz to 20MHz)		-	-	5	ps rms	
SSB Phase Noise at 10Hz offset		-	-75	-	dBc/Hz	
SSB Phase Noise at 10KHz offset		-	-130	-	dBc/Hz	
Start Up Time: Oscillator		-	-	10	mS	
Warm Up Time		-	-	5	Minutes	4
TDEV @ 1.0 Sec.		-	-	1	nS	
TDEV @ 4.0 Sec.		-	-	2	nS	

HCMOS OUTPUT CHARACTERISTICS

TABLE 3.0

PARAMETER		MINIMUM	NOMINAL	MAXIMUM	UNITS	NOTE
LOAD		-	-	15	pf	
Voltage (High)	(Voh)	2.6	-	-	Vdc	
(Low)	(Vol)	-	-	0.4	Vdc	
Current (High)	(Ioh)	-4	-	-	mA	
(Low)	(Iol)	-	-	4	mA	
Duty Cycle at 50% of Vcc		45	50	55	%	
Rise / Fall Time 10% to 90%		-	-	6	nS	

PACKAGE CHARACTERISTICS

TABLE 4.0

Package	14 pin DIP, hermetically sealed, grounded case, welded package
---------	----------------------------------------------------------------

Notes:

- 1) Initial calibration @ 25°C
- 2) Frequency vs. temperature stability
- 3) Inclusive of calibration, operating temperature range, supply voltage change, load change, shock and vibration, 10 years aging.
- 4) Measured @ 25°C, within 5 minutes, the unit will be within +/-0.1ppm of its reference frequency, measured after 30 minutes of continuous operation at a stable 25°C

DESCRIPTION

The Connor-Winfield AGOF3S3 is a hermetically sealed 14 Pin DIP, 3.3V Oven Controlled Crystal Oscillator (OCXO) HCMOS/TTL Compatible. The AGOF3S3 is designed for Stratum 3 applications requiring low jitter and tight stability.

FEATURES

- 3.3V OPERATION
- LOW JITTER <5pS RMS
- TEMPERATURE STABILITY ±0.25ppm
- FREQUENCY TOLERANCE OF ±4.6ppm OVER TEN YEARS

ORDERING INFORMATION

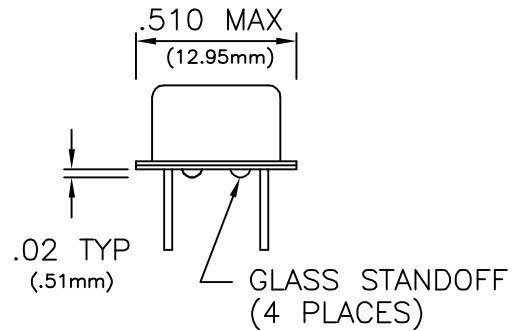
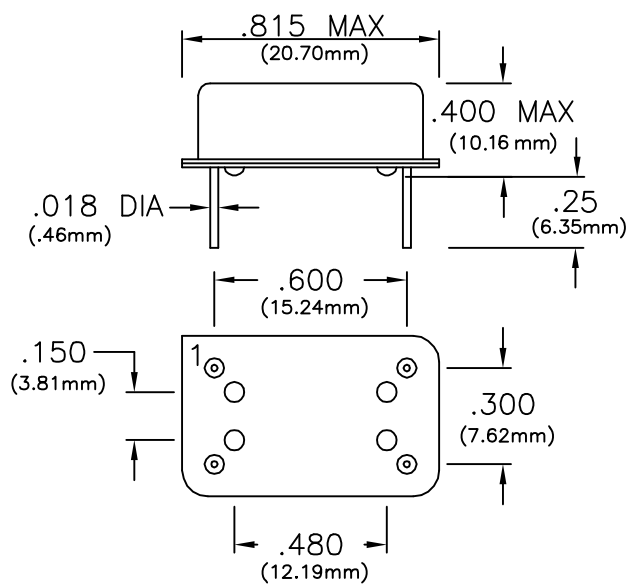
AGOF3S3 - 12.800MHz



Specifications subject to change without notice.

CRYSTAL CONTROLLED OSCILLATORS

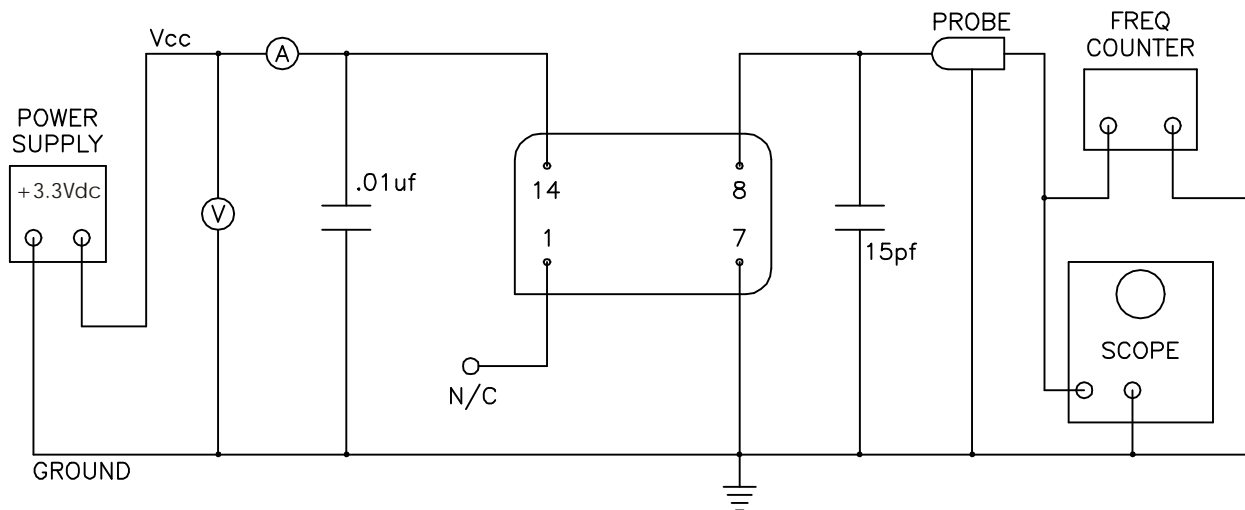
PACKAGE OUTLINE



PIN	CONNECTION
1	N/C
7	GROUND (CASE)
8	OUTPUT
14	V _{cc}

DIMENSIONS: $\frac{\text{in}}{\text{mm}}$

TEST DIAGRAM



Specifications subject to change without notice.