

# SMD SHIELDED POWER INDUCTOR



6.7 x 6.7 x 3mm

ASPI - 0602S



**RoHS**  
Compliant

## FEATURES:

- Compact size: 6.7X6.7X3.0mm
- Magnetically shielded, surface mount inductor
- Large DC current & low DC resistance

## APPLICATIONS:

- Excellent for power line DC-DC
- Conversion applications used in hard disk notebook computers and other electronic equipment .

## ELECTRICAL SPECIFICATIONS:

ABRACON P/N: **ASPI-0602S-xxx**  
 Operating Temperature: **-40°C to +85°C**  
 Storage Temperature: **-40°C to +85°C, 70% RH max.**

Part Number ASPI-0602S-	L (µH) ±20%	DCR (Ω) Max	I <sub>DC</sub> (A) Max
3R3	3.3	0.040	3.00
3R0	3.0	0.024	3.00
3R9	3.9	0.027	2.60
5R0	5.0	0.031	2.40
6R0	6.0	0.035	2.25
7R3	7.3	0.054	2.10
8R6	8.6	0.058	1.85
100	10	0.065	1.70
120	12	0.070	1.55
150	15	0.084	1.40
180	18	0.095	1.32
220	22	0.128	1.20
270	27	0.142	1.05
330	33	0.165	0.97
390	39	0.210	0.86
470	47	0.238	0.80
560	56	0.277	0.73
680	68	0.304	0.65
820	82	0.390	0.60
101	100	0.535	0.54

### NOTE

Testing Condition:  
 10KHz, 0.25V  
 IDC: Inductance decreases to 65% of initial value or Δ T  
 of coil increased by 30°C

### TEST EQUIPMENT

AGILENT 4294A Precision Impedance Analyzer  
 ZENTECH 3302 Automatic Components Analyzer  
 ZENTECH 1320 BIAS CURRENT  
 ZENTECH 502AC Resistance Meter

## OPTIONS AND PART IDENTIFICATION:

ASPI - 0602S - □□□ □ - □

**Inductance Code**  
 Please refer to the  
 Tables above.

**Tolerance**

M	±20%
---	------

**Packaging**

T	Tape and Reel
---	------------------



# SMD SHIELDED POWER INDUCTOR

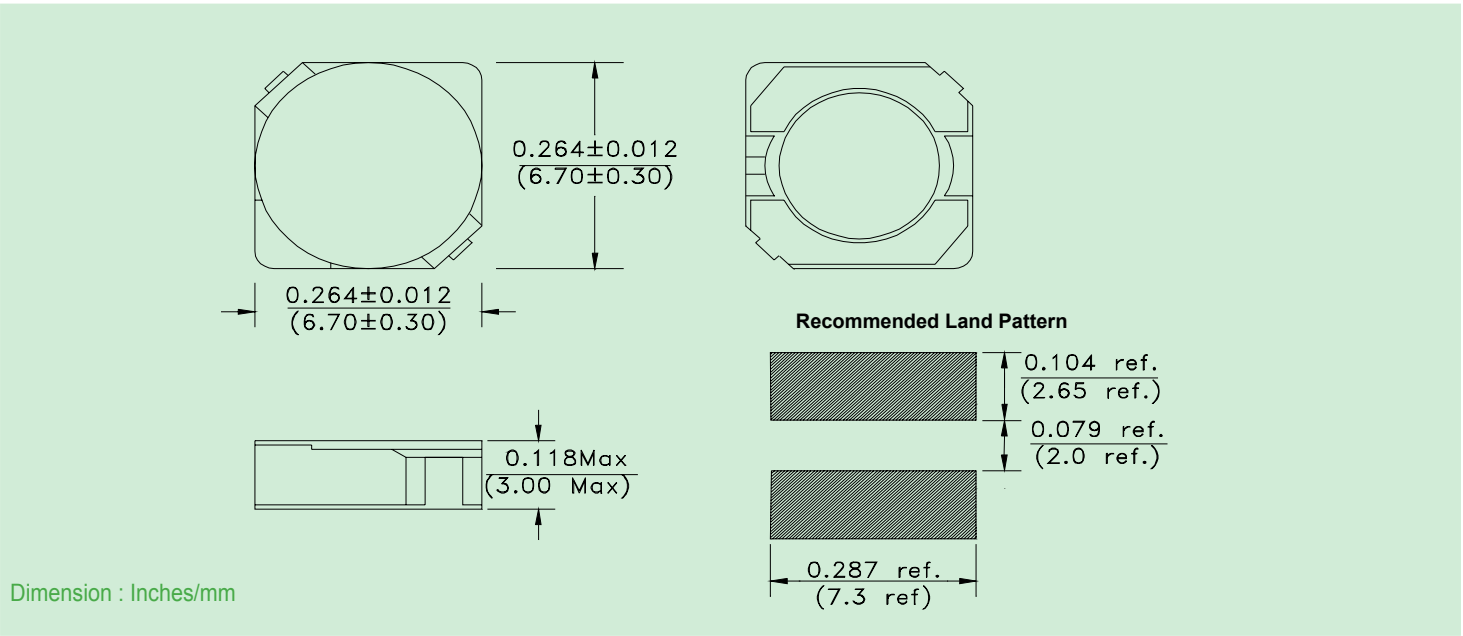


6.7 x 6.7 x 3mm

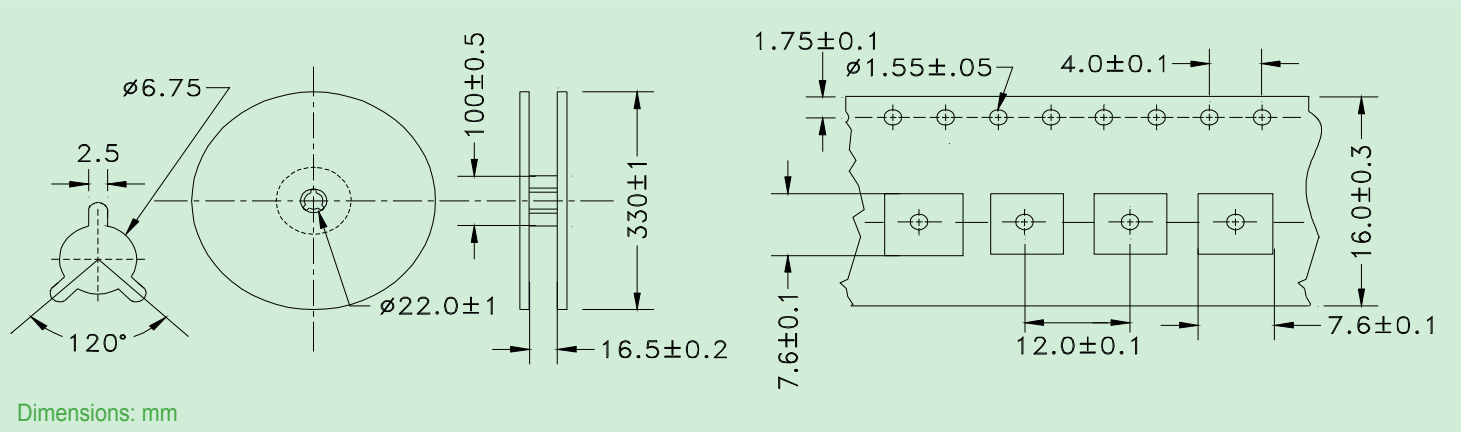
ASPI - 0602S



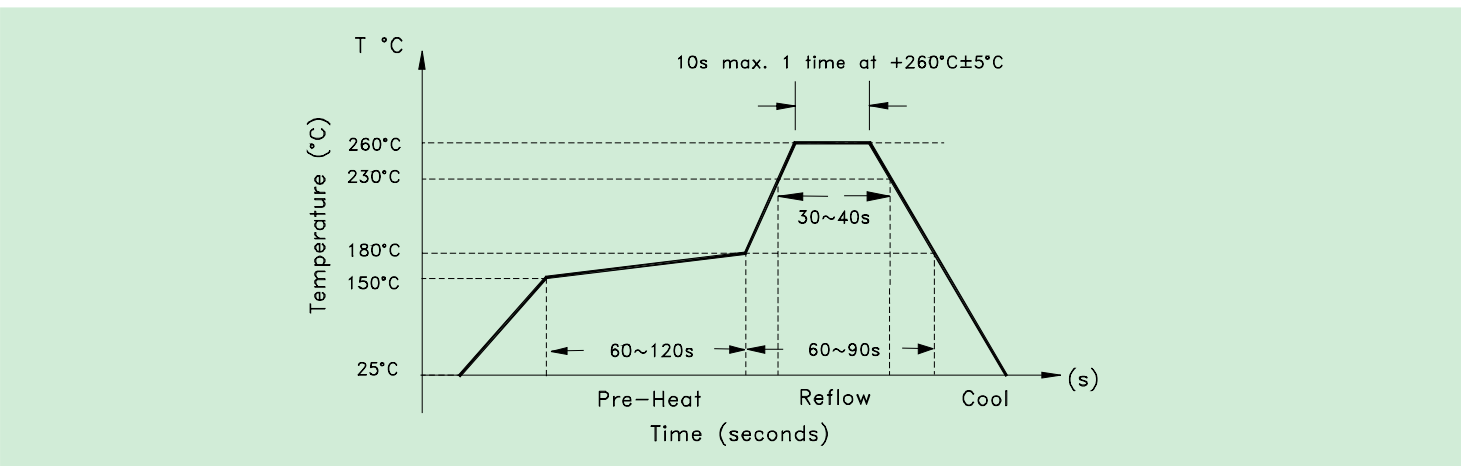
## OUTLINE DRAWING:



## TAPE & REEL: Tape and reel 1,000pcs/reel



## REFLOW PROFILE:



Visit [www.abracon.com](http://www.abracon.com) for Terms & Conditions of Sale **Revised: 06.29.09**  
 30332 Esperanza, Rancho Santa Margarita, California 92688  
 tel 949-546-8000 | fax 949-546-8001 | [www.abracon.com](http://www.abracon.com)