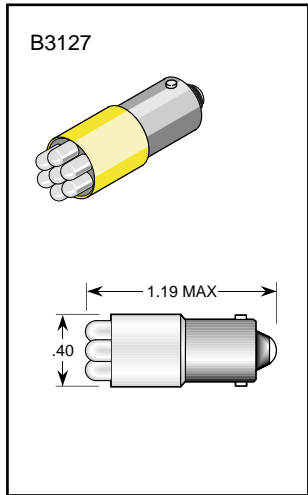


T3-1/4 (9mm) Miniature Bayonet Based LEDs



Replaces Incandescent	Part Number					
	Red	Orange	Yellow	White	Green	Blue*
	B3126CR6-5V-P	B3126CO6-5V-P	B3126CY6-5V-P	B3126CLW6-5V-P	B3126CG6-5V-P	B321CUB500-5V-P
6MB,44,47,755	B3126CR6-6V-P	B3126CO6-6V-P	B3126CY6-6V-P	B3126CLW6-6V-P	B3126CG6-6V-P	B321CUB500-6V-P
12MB	B3126CR6-12V-P	B3126CO6-12V-P	B3126CY6-12V-P	B3126CLW6-12V-P	B3126CG6-12V-P	B321CUB500-12V-P
182,216,756	B3126CR6-14V-P	B3126CO6-14V-P	B3126CY6-14V-P	B3126CLW6-14V-P	B3126CG6-14V-P	B321CUB500-14V-P
24MB	B3127CR6-24V-P	B3127CO6-24V-P	B3127CY6-24V-P	B3127CLW6-24V-P	B3127CG6-24V-P	B321CUB500-24V-P
313,757,1819	B3127CR6-28V-P	B3127CO6-28V-P	B3127CY6-28V-P	B3127CLW6-28V-P	B3127CG6-28V-P	B321CUB500-28V-P
120MB	B3127CR6-120VAC	B3127CO6-120VAC	B3127CY6-120VAC	B3127CLW6-120VAC	B3127CG6-120VAC	B321CUB500-120VAC

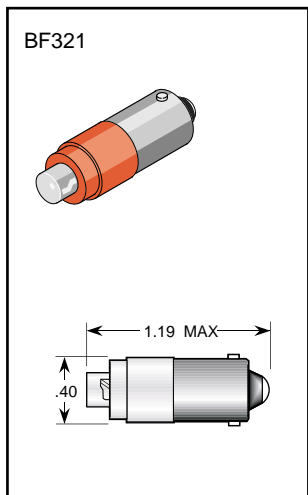
Options (Consult Factory)

- Special Voltages
- AC Versions
- Non-Polarized (Bipolar) multichips
- 6-Chip & 8-Chip Multichips
- Sunlight Visible Narrow Beam
- Special colors
- BiColors/ TriColors
- Infrareds 840 nm, 880 nm, 940 nm
- Blinking/ Flashing

Replaces Incandescent Lamp #
6MB, 12MB, 24MB, 48MB, 60MB, 120MB, 44, 47, 49, 51, 130, 137, 182, 216, 219, 239, 313, 755, 756, 757, 1302, 1819, 1835 ...

*Single chip only

T3-1/4 (9mm) Miniature Bayonet Based LEDs



Replaces Incandescent	Part Number					
	Red	Orange	Yellow	White	Green	Blue*
	BF321CR3K-5V-P	BF321CO3K-5V-P	BF321CY3K-5V-P	BF321CW600-5V-P	BF321CAG6K-5V-P	BF321CB1K-5V-P
6MB,44,47,755	BF321CR3K-6V-P	BF321CO3K-6V-P	BF321CY3K-6V-P	BF321CW600-6V-P	BF321CAG6K-6V-P	BF321CB1K-6V-P
12MB	BF321CR3K-12V-P	BF321CO3K-12V-P	BF321CY3K-12V-P	BF321CW600-12V-P	BF321CAG6K-12V-P	BF321CB1K-12V-P
182,216,756	BF321CR3K-14V-P	BF321CO3K-14V-P	BF321CY3K-14V-P	BF321CW600-14V-P	BF321CAG6K-14V-P	BF321CB1K-14V-P
24MB	BF321CR3K-24V-P	BF321CO3K-24V-P	BF321CY3K-24V-P	BF321CW600-24V-P	BF321CAG6K-24V-P	BF321CB1K-24V-P
313,757,1819	BF321CR3K-28V-P	BF321CO3K-28V-P	BF321CY3K-28V-P	BF321CW600-28V-P	BF321CAG6K-28V-P	BF321CB1K-28V-P
120MB	BF321CR3K-120VAC	BF321CO3K-120VAC	BF321CY3K-120VAC	BF321CW600-120VAC	BF321CAG6K-120VAC	BF321CB1K-120VAC

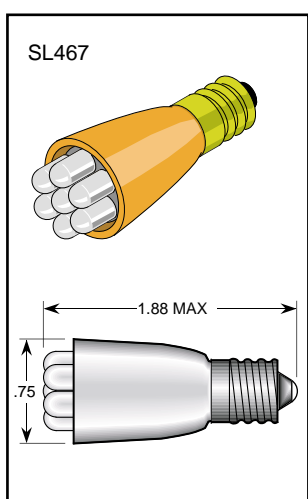
Options (Consult Factory)

- Special Voltages
- AC Versions
- Non-Polarized (Bipolar) multichips
- 6-Chip & 8-Chip Multichips
- Sunlight Visible Narrow Beam
- Special colors
- BiColors/ TriColors
- Infrareds 840 nm, 880 nm, 940 nm
- Blinking/ Flashing

Replaces Incandescent Lamp #
6MB, 12MB, 24MB, 48MB, 60MB, 120MB, 44, 47, 49, 51, 130, 137, 182, 216, 219, 239, 313, 755, 756, 757, 1302, 1819, 1835 ...

*Single chip only

S6 Candelabra Screw Based LEDs



Replaces Incandescent	Part Number					
	Red	Orange	Yellow	White	Green	Blue
	SL467CR6-12V-P	SL467CO6-12V-P	SL467CY6-12V-P	SL467CLW6-12V-P	SL467CG6-12V-P	SL464CB1K-12V-P
	SL467CR6-14V-P	SL467CO6-14V-P	SL467CY6-14V-P	SL467CLW6-14V-P	SL467CG6-14V-P	SL464CB1K-14V-P
	SL467CR6-24V-P	SL467CO6-24V-P	SL467CY6-24V-P	SL467CLW6-24V-P	SL467CG6-24V-P	SL464CB1K-24V-P
	SL467CR6-28V-P	SL467CO6-28V-P	SL467CY6-28V-P	SL467CLW6-28V-P	SL467CG6-28V-P	SL464CB1K-28V-P
	SL467CR6-120VAC	SL467CO6-120VAC	SL467CY6-120VAC	SL467CLW6-120VAC	SL467CG6-120VAC	SL464CB1K-120VAC
	SL467CR3K-120VAC	SL467CO3K-120VAC	SL467CY3K-120VAC	SL464CW600-120VAC	SL464CAG6K-120VAC	SL464CB1K-120VAC
	SLF467CR3K-120VAC	SLF467CO3K-120VAC	SLF467CY3K-120VAC	SLF464CW600-120VAC	SLF464CAG6K-120VAC	SLF464CB1K-120VAC

Options (Consult Factory)

- Special Voltages
- AC Versions
- Non-Polarized (Bipolar) multichips
- 6-Chip & 8-Chip Multichips
- Sunlight Visible Narrow Beam
- Special colors
- BiColors/ TriColors
- Infrareds 840 nm, 880 nm, 940 nm
- Blinking/ Flashing

Replaces Incandescent Lamp #
Candelabra Screw: 3S6, 6S6