

Unregulated Open Frame DC Power Supplies

Series: **BVU**



RoHS



- Low cost unregulated DC power supplies
- Field-selectable input taps 103/115/126/207/230/253 VAC for fine-tuning output to match actual field conditions
- Improved ripple - 3% maximum
- Fuse protected output
- Computer grade capacitors
- Floating output provides versatility for wiring
- Safety Agency Approvals BVU Series:
 - UL 1950, third edition, File #E181899.
 - CSA, C22.2 No.950, File #E181899.
 - CE Marked.

The BVU Series

The BVU Series of unregulated DC power supplies is the best low cost alternative, where moderate output variations and AC ripple are acceptable. The field-selectable input taps allow fine-tuning the output voltage to match actual field conditions. The DC output is fused for short circuit protection. For maximum versatility, the output is floating and may be referenced to another low voltage common ground or placed in series with other DC power supplies.

Applications

- DC Motors - Stepping and Servos
- Solenoid valves
- Relays
- Lamps and Signal Systems
- Input to 3-terminal on-board regulators
- Some Floppy Disk Drives

Tap (VAC)	Nominal (VAC)	High Line (VAC)
115,-10%	103.5	113.9
115,NOM	115	126.5
115,+10	126.5	139.2
230,-10	207	227.7
230,NOM	230	253.0
230,+10%	253	278.3

INPUT CONNECTIONS FOR BVU SERIES						
Input VAC	103.5	115	126.5	207	230	253
Jumper	1-5 2-6	1-5 3-7	1-5 4-8	2-5	3-5	4-5
Input Apply	1-2	1-3	1-4	1-6	1-7	1-8
Fuse AT	SEE UNIT ID LABEL					

Specifications

AC input: 115/230VAC, 50/60Hz nominal.

Field selectable taps for $\pm 10\%$. High line tolerance on voltage is $+10\%$

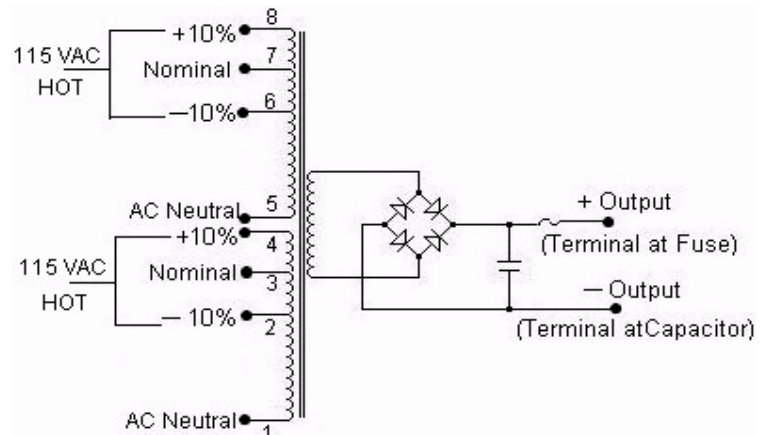
DC Output: Floating fixed output at full load ratings (see table). Transformer taps provided for approx. 10% output voltage adjustment.

Ripple: 3% rms maximum at normal line and full rated load.

Operating Temperature: 0-50°C (Derate 2% per °C to 70°C)

Overload and Short Circuit Protection: Fused output. It should be noted that the fuse is not necessarily direct in line with the output. In most models the fuse is prior to the output capacitor and in case of a short circuit, the capacitor energy will be discharged into the load even if the fuse has opened.

Schematic shows transformer taps provided for approx. $\pm 10\%$ output voltage adjustment. Typical full load output voltage at 115VAC input using taps 1 and 3. For 10% higher output voltage use taps 1 and 2. For 10% lower output voltage use taps 1 and 4.

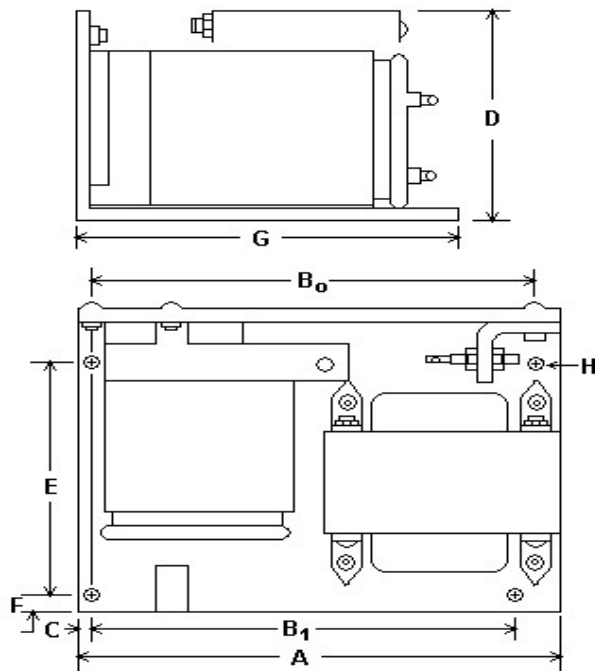


Unregulated Open Frame DC Power Supplies

Series: BVU

Part No.	Typical Dc Output (@nominal input and full load)
BVU-7U1.8	7.5V @ 1.8A
BVU-12AU1.2	11V @ 1.2A
BVU-16AU0.9	17AV @ 0.9A
BVU-20AU0.75	19.8V @ 0.75A
BVU-24AU0.6	25V @ 0.6A
BVU-48AU0.3	48V @ 0.3A
BVU-120AU0.12	113V @ 0.12A
BVU-250AU0.05	247V @ 0.05A
BVU-7BU3	7.5V @ 3A
BVU-12BU2.4	12V @ 2.4A
BVU-16BU1.8	16V @ 1.8A
BVU-20BU1.5	19.8V @ 1.5A
BVU-24BU1.2	26.5V @ 1.2A
BVU-48BU0.6	48V @ 0.6A
BVU-120BU0.25	120V @ 0.25A
BVU-250BU0.1	248V @ 0.1A
BVU-7CU6	7.5V @ 6A
BVU-12CU4.8	12V @ 4.8A
BVU-16CU3.6	16V @ 3.6A
BVU-20CU3	19.8 @ 3A
BVU-24CU2.4	26.5V @ 2.4A
BVU-48CU1.2	48 @ 1.2A

Part No.	Typical DC Output (@ nominal input and full load)
BVU-7DU10	8.5V @ 10A
BVU-12DU7	12.5V @ 7A
BVU-16DU6	17V @ 6A
BVU-20DU5	19.48V @ 5A
BVU-24DU3.5	25.5V @ 3.5A
BVU-48DU1.8	48V @ 1.8A
BVU-7EU20	9V @ 20A
BVU-12EU15	12.5V @ 15A
BVU-16EU12.5	16.5V @ 12.5A
BVU-20EU10	20V @ 10A
BVU-24EU7.5	27.5V @ 7.5A
BVU-45EU6	45V @ 6.0A
BVU-48EU4	47V @ 4A
BVU-72EU3	72V @ 3A
BVU-24FU20	24.6 @ 20A
BVU-45FU12	45V @ 12A
BVU-48FU10	48.4V @ 10A
BVU-75FU5	75V @ 5A
BVU-24GU30	24.6V @ 30A
BVU-48GU15	48V @ 15A
BVU-65GU15	65V @ 15A
BVU-75GU10	75V @ 10A



DIMENSIONS:

Case Size	A	Bo	B1	C	D	E	F	G	H (dia)	Wt (lbs)
AU	4.62	4.00	NA	.31	2.09	1.60	.31	2.75	.20	1.7
BU	5.88	5.38	NA	.25	2.72	2.19	.31	3.25	.22	2.6
CU	6.25	5.65	5.15	.25	3.00	2.73	.35	3.71	.22	4.0
DU	7.12	6.42	5.87	.35	3.25	2.88	.30	4.00	.22	6.7
EU	8.10	7.50	6.90	.25	3.88	3.80	.30	5.00	.26	12.2
FU	9.00	8.24	NA	.35	4.62	2.50	1.56	5.62	.28	20.0
GU	9.50	8.50	NA	.50	5.56	6.62	.50	8.00	.28	28.5

POWERTVOLT

The Power for your System

300 Factory Road,
Addison, IL 60101 – 5004
T: (630) 628-9999
F: (630) 628-9922
Toll-free: (888)PWR-VOLT (797-8658)
E-mail: sales@powervolt.com
Web Site: www.powervolt.com

PRSR STD
US POSTAGE PAID
ADDISON IL
PERMIT NO. 300

Other Products:

- Power Transformers
- Regulated Power Supplies:
 - Linear
 - Switch Mode
- Wall Plug-ins