



Elite CR-59 Multi-Throw DC-26.5GHz Latching

The CR-59 Switch is a broadband, multi-throw, electromechanical coaxial switch designed to switch a microwave signal from a common input to any of 3, 4, 5, or 6 outputs. The characteristic impedance is 50 Ohms. The switches are small using the popular connector spacing on a 1.062" dia. circle. Each position has an individual actuator mechanism allowing random position selection. This also minimizes switching time.

The CR-59 comes with a latching actuator. The latching switch remains in the last position selected when the switch is de-energized. STD dual command requires a reset pulse before a new selected position. A separate reset circuit allows all positions to be set to an open position. User must provide both reset (clear) and set (select new position) commands.

Shock: MIL-STD-202 Method 213, Condition D (500G Non Operating)

Vibration: MIL-STD-202 Method 214, Condition D (10G RMS Non Operating)

Humidity: Moisture Seal Available

Typical Contact Life: 5 Million Cycles

Insertion Loss Repeatability (1 Million Cycles):

DC to 6 GHz: 0.05 dB

DC to 20 GHz: 0.1 dB

RF Power Handling

Specifications

RF Contacts: Break before make

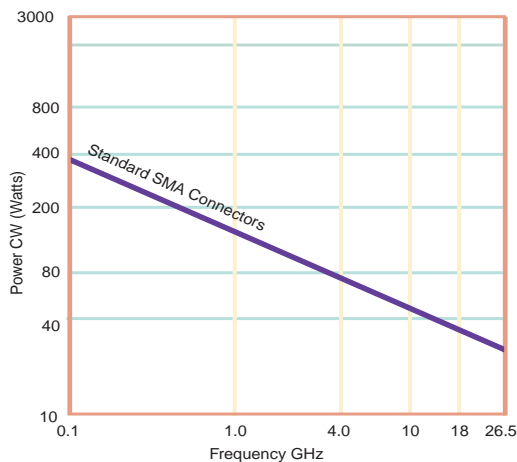
Actuator	Voltage (VDC) 20°C				
	12	15	28		
Latching Current (mA)	255	205	90		
Reset Current (mA)	Positions	3	765	615	270
		4	1020	820	360
		5	1275	1025	450
		6	1530	1230	540

Switching Time: 20 msec max

Connectors: SMA (f)

Weight: 6 oz. max

Temperature Range: -55°C to +85°C (Operating)

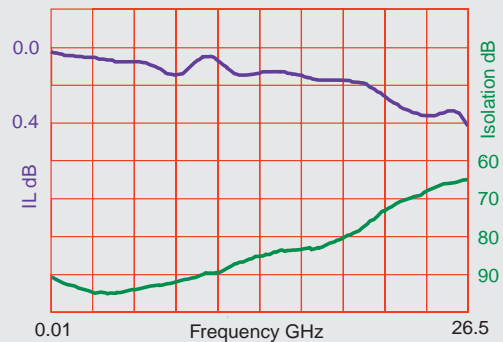
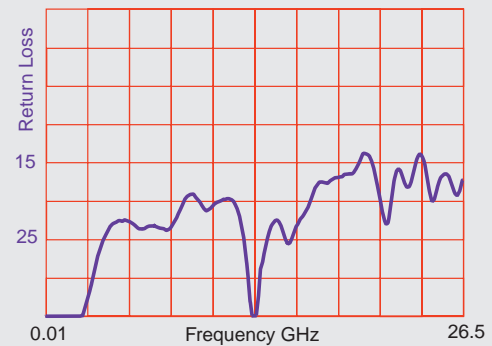


Specifications

VSWR (max)
Insertion Loss (min)
Isolation (max)

	DC-6 GHz	6-12 GHz	12-18 GHz	18-26.5 GHz
VSWR (max)	1.25:1	1.40:1	1.50:1	1.80:1
Insertion Loss (min)	0.20 dB	0.40 dB	0.50 dB	0.80 dB
Isolation (max)	70.0 dB	60.0 dB	60.0 dB	50.0 dB

Typical Performance



Specifications subject to change without notice.

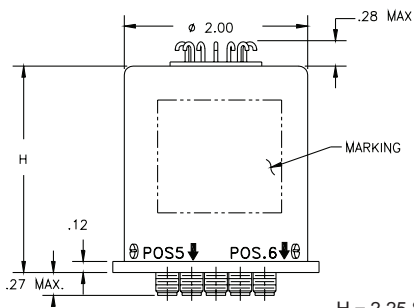
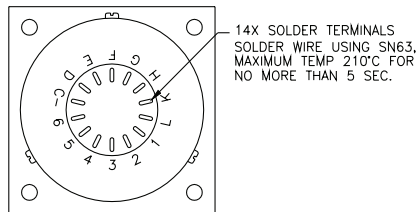
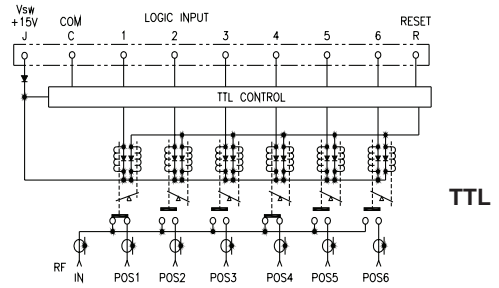
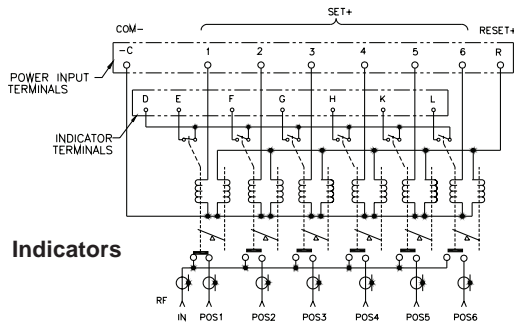
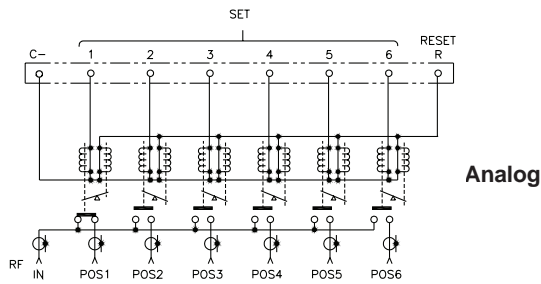
www.teledynecoax.com
email: coax@teledyne.com

Tel: (800) 351-7368
10/2007

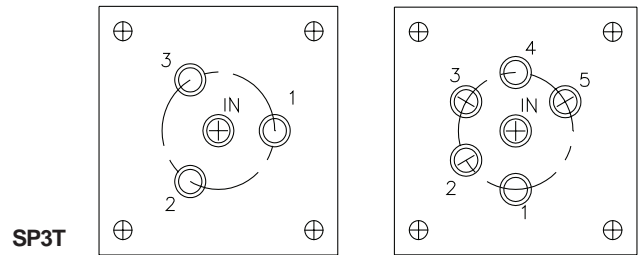
Elite CR-59

Multi-Throw DC-26.5GHz

Latching

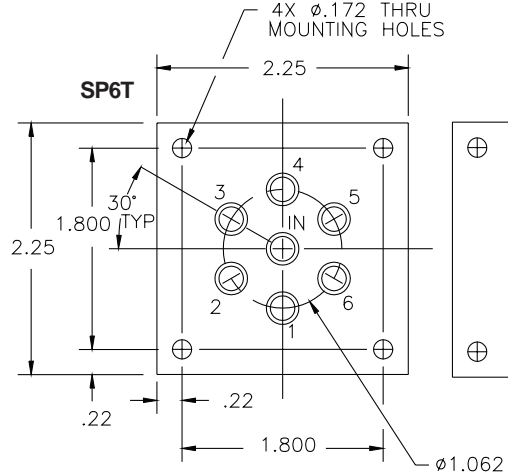


H = 2.25 STD Model
H = 2.50 TTL Model



SP3T

SP5T

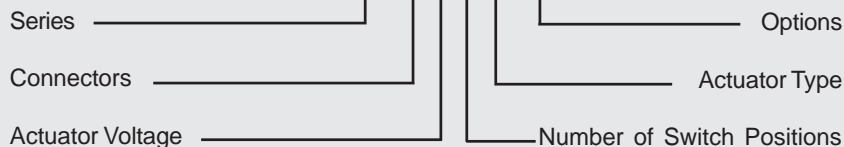


SP6T

SP4T

Part Numbering System for CR-59 (Latching)

CR-59 S 6 5 O - T



Connector
S: SMA Female

Actuator Voltage
6: 28Vdc Latching
7: 15Vdc Latching
8: 12Vdc Latching

Number of Positions
3: SP3T
4: SP4T
5: SP5T
6: SP6T

Actuator Type
O: No Indicator Contacts
C: Indicator Contacts
D: Self Cutoff Only
E: Indicators and Self Cutoff

Options
T: TTL Drivers with Diodes
R: Positive + Common
TD: TTL Driver with Decoder

For other options contact Factory



Specifications subject to change without notice.

www.teledynecoax.com
email: coax@teledyne.com

Tel: (800) 351-7368
10/2007