

REFERENCE SPECIFICATIONS

-NFC 93425 (in compliance with HE 507)

PHYSICAL CHARACTERISTICS

- INSULATOR MATERIAL: THERMOPLASTIC ,UL94V0
- CONTACT MATERIAL: BRASS
- ACCESSORIES: BRASS
- SHELLS: STEEL

ELECTRICAL CHARACTERISTICS

- NOMINAL CURRENT: 30A
- CONTACT RESISTANCE: <= 7.3 m ohms
- CONTACT/CONTACT : >=1000 V
- CONTACT/GROUND : >=1200 V
- INSULATION RESISTANCE: >=5000 MOhms

ENVIRONMENTAL CHARACTERISTICS

- CLIMATIC CATEGORY: 55/125/21
- TEMPERATURE RANGE -55°C TO +125°C
- DAMP HEAT STEADY STATE 21 DAYS
- SALT SPRAY 48 HOURS

MECHANICAL CHARACTERISTICS

- RETENTION AGAINST TORQUE: - Threaded insert: 0.7 N.m minimum
- Female screw : 0.5 N.m minimum

NOTE RoHS INFORMATION

- The "LF" products meet european union Directives and other country regulations as described in GS-22-008.
- The housing will withstand exposure to 260°C peak temperature for 3.5 seconds in a wave solder application with a 1.6mm minimum thick circuit board. See application notes/procedures if they are available.
- Termination plating spec:
 - Ni 1.27µm+Sn 2.5 to 7.5µm(pure bright)
- Active area plating spec:
 - Ni + Gold
 - Shell plating :2 to 4µm Cu + 3 to 10µm Sn(pure bright)
 - Accessories: Sn pure bright
- Packaging spec: See GS-14-920

DBL5W5P700G30LF

Series

Shell size: E A B C
see sheet 3

Front accessory definition
see sheet 2

blank :without accessory
L :threaded insert M3
O :threaded insert UNC 4-40
V :female screw UNC 4-40

Layout of contacts (see sheets)

Contacts

P :Pin

Termination type
7 Right angle/USA

Plating

- 00 200 matings/unmatings
- 43 500 matings/unmatings

PCB accessories definition
see sheet 2

- A :without accessory
- H :Metal brackets+harpoons for PCB 2.40mm
- G :Metal brackets+harpoons for PCB 1.60mm
- M :Metal brackets

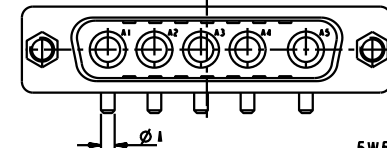
Power contacts

30 :Fitted with power contacts 30 Amp.

See note RoHS

TABLE 1:PCB HOLE DIAMETERS

	POWER CONTACTS		ACCESSORIES
30 A	Ø2.00	Ø2.40	Ø3.10
Max current power	ØA ^{+0.1} ₀	PCB HOLE +/-0.1	PCB HOLE +/-0.1



5W5 FOR EXAMPLE

www.fciconnect.com		surface	tolerance	projection	size	Scale
Dr	M PESSON	11/10/05			A2	2:1
Eng	11/10/05	P LEGARE	Spec ref			
Chr			Material	SEE NOTES	ECN	
Appr						
Title				deg no	Rev.	
SUB MALE DW US foot print				C01-8639-2313	A	
full power right angled solder						
catalog no	CUSTOMER COPY		sheet 1 of 5			

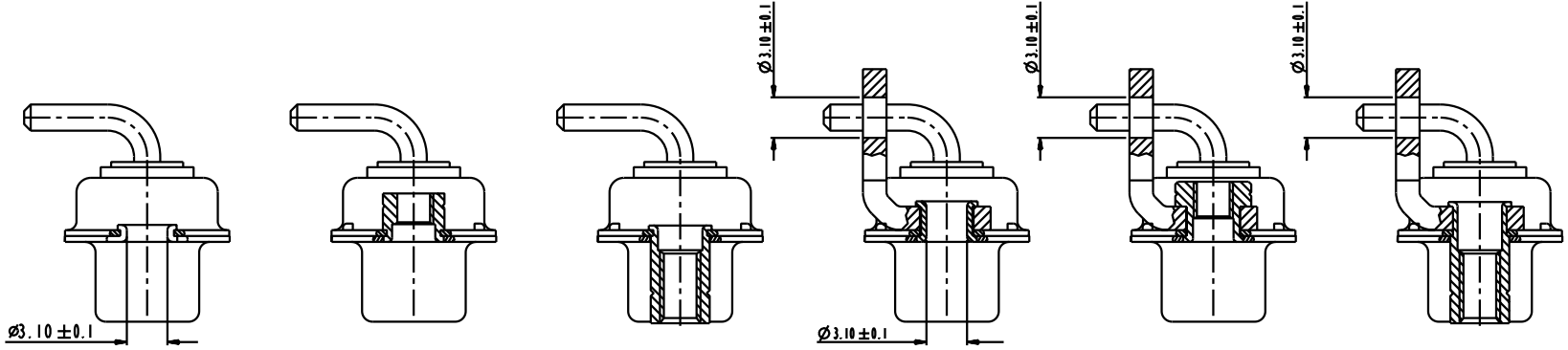
This document contains information that is the property of FCI. It is not to be distributed, copied, or used in any way without the written permission of FCI. © Copyright FCI.

This document contains information that is the property of FCI. It is not to be distributed, copied, or used in any way without the written permission of FCI. © Copyright FCI.

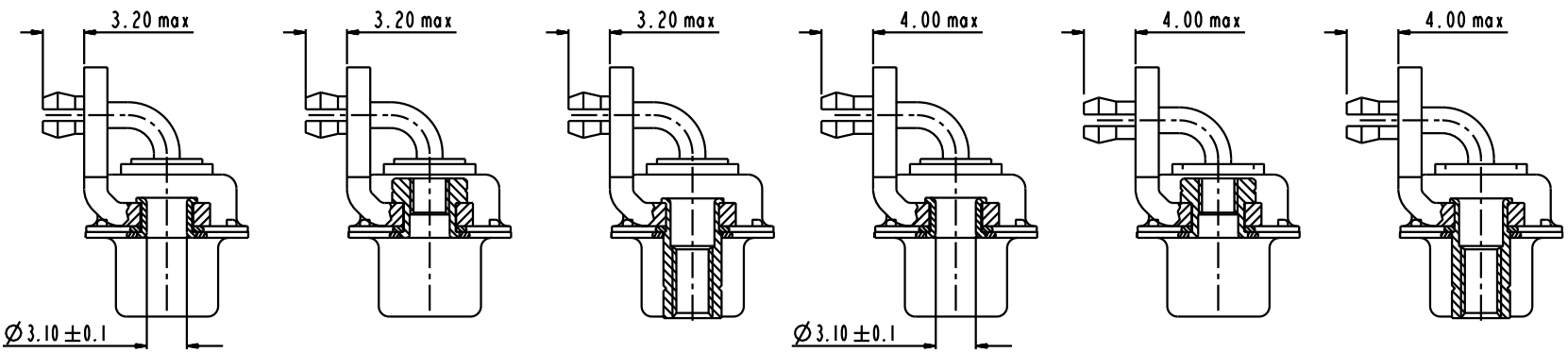
This document contains confidential information and is the property of FCI. It is not to be distributed, reproduced, or used in any manner without the prior written permission of FCI. Copyright © 2005 FCI.

A
FCI

This document contains confidential information and is the property of FCI. It is not to be distributed, reproduced, or used in any manner without the prior written permission of FCI. Copyright © 2005 FCI.



FRONT ACCESSORY	Blank Without	L insert M3 O insert UNC 4.40	V insert UNC 4.40	Blank Without	L insert M3 O insert UNC 4.40	V insert UNC 4.40
PCB ACCESSORIES	A Without	A Without	A Without	M Metal brackets	M Metal brackets	M Metal bracket



FRONT ACCESSORY	Blank Without	L insert M3 O insert UNC 4.40	V insert UNC 4.40	Blank Without	L insert M3 O insert UNC 4.40	V insert UNC 4.40
PCB ACCESSORIES	G Metal brackets + harpoons for PCB 1.60mm	G Metal brackets + harpoons for PCB 1.60mm	G Metal brackets + harpoons for PCB 1.60mm	H Metal brackets + harpoons for PCB 2.40mm	H Metal brackets + harpoons for PCB 2.40mm	H Metal brackets + harpoons for PCB 2.40mm

SCALE: 4

FCI www.fciconnect.com		surface <input checked="" type="checkbox"/>	tolerance	projection		
Dr	M PESSON	11/10/05	Product family	-	size A2	Scale 2:1
Eng	11/10/05	P LEGARE	Spec ref			
Chr			Material	SEE NOTES	ECN	
Appr						
Title SUB MALE DW US foot print				deg no	C01-8639-2313	Rev. A
full power right angled solder				catalog no	CUSTOMER COPY	sheet 2 of 5

PART NUMBER	AMPS	MATINGS/ UNMATINGS	FRONT ACCESSORY	PCB ACCESSORIES
D*xWxP700A30LF	30	200	without	without
D*LxWxP700A30LF	30	200	insert M3	without
D*OxWxP700A30LF	30	200	insert UNC 4.40	without
D*VxWxP700A30LF	30	200	female screw UNC 4.40	without
D*xWxP700H30LF	30	200	without	metal bracket+harpoon PCB 2.40mm
D*LxWxP700H30LF	30	200	insert M3	metal bracket+harpoon PCB 2.40mm
D*OxWxP700H30LF	30	200	insert UNC 4.40	metal bracket+harpoon PCB 2.40mm
D*VxWxP700H30LF	30	200	female screw UNC 4.40	metal bracket+harpoon PCB 2.40mm
D*xWxP700G30LF	30	200	without	metal bracket+harpoon PCB 1.60mm
D*LxWxP700G30LF	30	200	insert M3	metal bracket+harpoon PCB 1.60mm
D*OxWxP700G30LF	30	200	insert UNC 4.40	metal bracket+harpoon PCB 1.60mm
D*VxWxP700G30LF	30	200	female screw UNC 4.40	metal bracket+harpoon PCB 1.60mm
D*xWxP700M30LF	30	200	without	metal bracket
D*LxWxP700M30LF	30	200	insert M3	metal bracket
D*OxWxP700M30LF	30	200	insert UNC 4.40	metal bracket
D*VxWxP700M30LF	30	200	female screw UNC 4.40	metal bracket

shell size # LAYOUTS
xWx

E 2V2
A 3V3
A 3W3
B 5W5
C 8W8

PART NUMBER	AMPS	MATINGS/ UNMATINGS	FRONT ACCESSORY	PCB ACCESSORIES
D*xWxP743A30LF	30	500	without	without
D*LxWxP743A30LF	30	500	insert M3	without
D*OxWxP743A30LF	30	500	insert UNC 4.40	without
D*VxWxP743A30LF	30	500	female screw UNC 4.40	without
D*xWxP743H30LF	30	500	without	metal bracket+harpoon PCB 2.40mm
D*LxWxP743H30LF	30	500	insert M3	metal bracket+harpoon PCB 2.40mm
D*OxWxP743H30LF	30	500	insert UNC 4.40	metal bracket+harpoon PCB 2.40mm
D*VxWxP743H30LF	30	500	female screw UNC 4.40	metal bracket+harpoon PCB 2.40mm
D*xWxP743G30LF	30	500	without	metal bracket+harpoon PCB 1.60mm
D*LxWxP743G30LF	30	500	insert M3	metal bracket+harpoon PCB 1.60mm
D*OxWxP743G30LF	30	500	insert UNC 4.40	metal bracket+harpoon PCB 1.60mm
D*VxWxP543G30LF	30	500	female screw UNC 4.40	metal bracket+harpoon PCB 1.60mm
D*xWxP743M30LF	30	500	without	metal bracket
D*LxWxP743M30LF	30	500	insert M3	metal bracket
D*OxWxP743M30LF	30	500	insert UNC 4.40	metal bracket
D*VxWxP743M30LF	30	500	female screw UNC 4.40	metal bracket

This document contains information that is the property of FCI. It is intended for use only for the product and its derivatives.

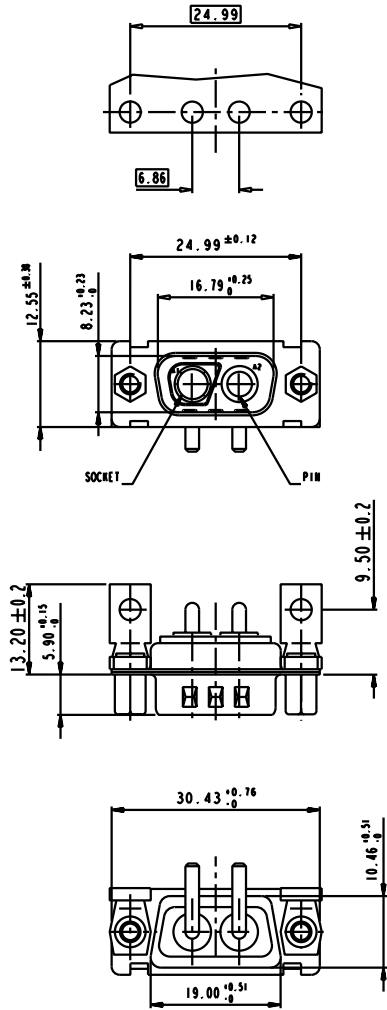
FCI

All rights are reserved. Reproduction in whole or in part without the written permission of FCI is prohibited.

FCI www.fciconnect.com		surface <input checked="" type="checkbox"/>	tolerance	projection
Dr M PESSON	11/10/05	Product family		size A2
Eng 11/10/05	P LEGARE	Spec ref		Scale 2:1
Chr		Material		SEE NOTES ECN
Appr				
Title SUB MALE DW US foot print			dag no C01-8639-2313	Rev. A
catalog no			CUSTOMER COPY	sheet 3 of 5

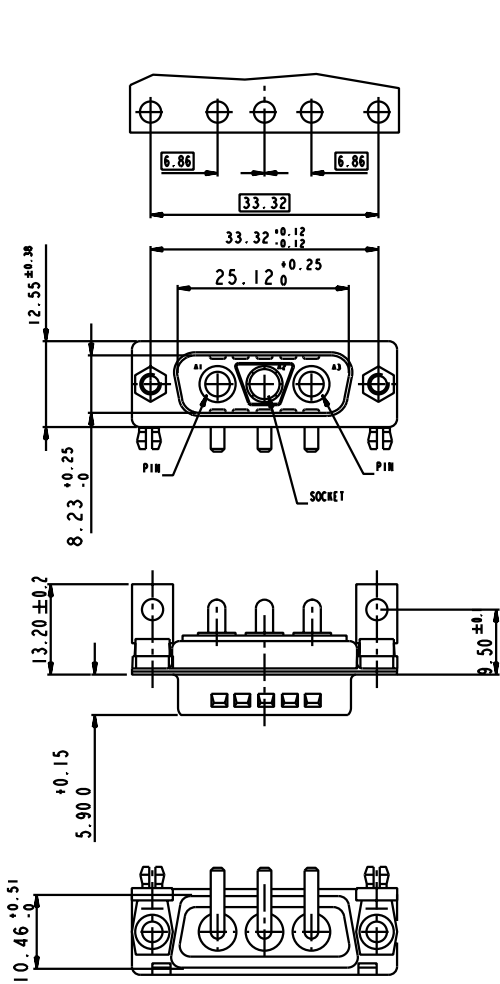
2V2

LAYOUT AND CONNECTOR DIMENSIONS
For PCB hole diameters see table 1 sheet 1



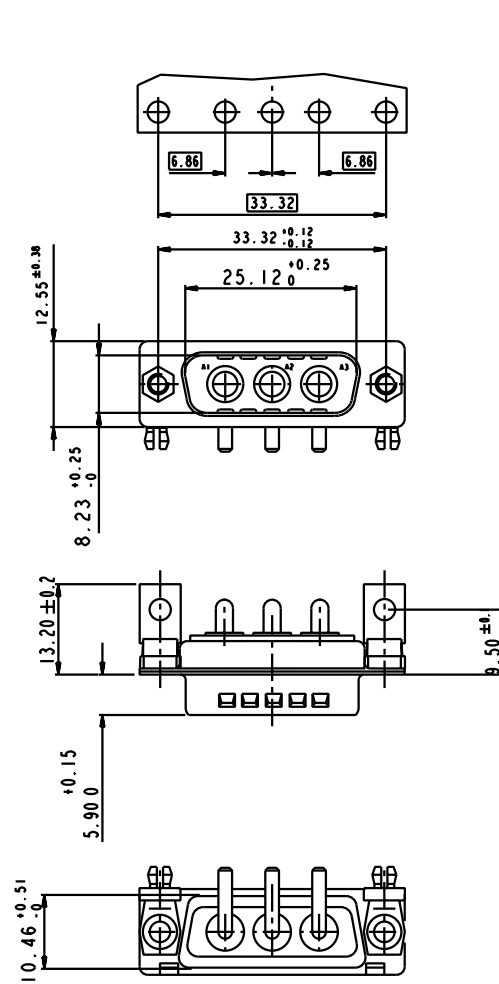
3V3

LAYOUT AND CONNECTOR DIMENSIONS
For PCB hole diameters see table 1 sheet 1

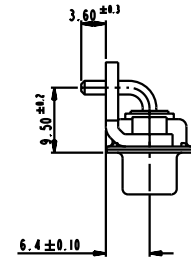


3W3

LAYOUT AND CONNECTOR DIMENSIONS
For PCB hole diameters see table 1 sheet 1



SIDE VIEW FOR ALL LAYOUTS



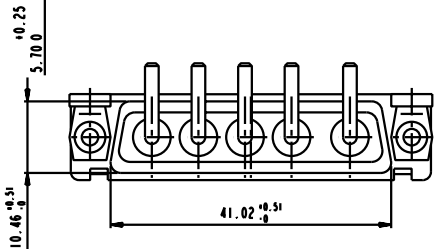
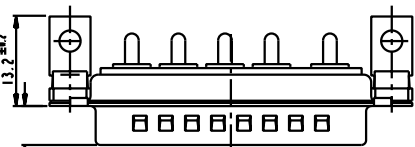
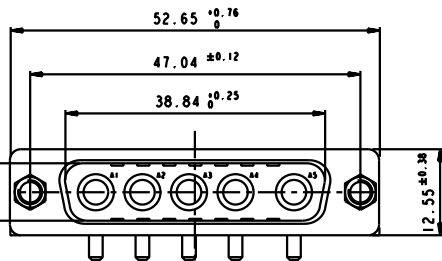
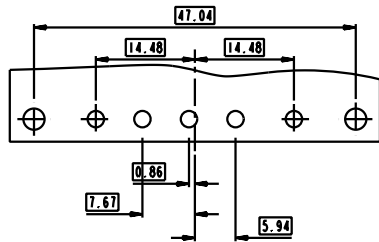
This drawing is the property of FCI. All rights reserved. Reproduction or distribution of this drawing is prohibited without the written permission of FCI. Copyright © 2005 FCI.

FCI

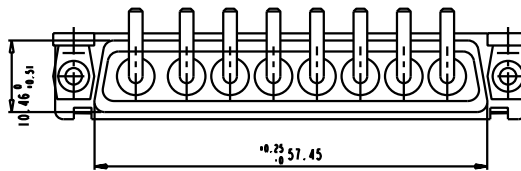
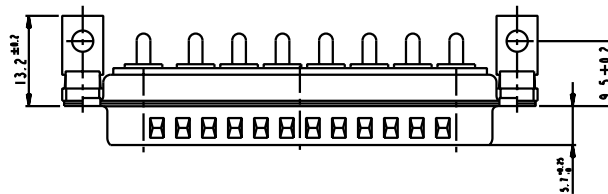
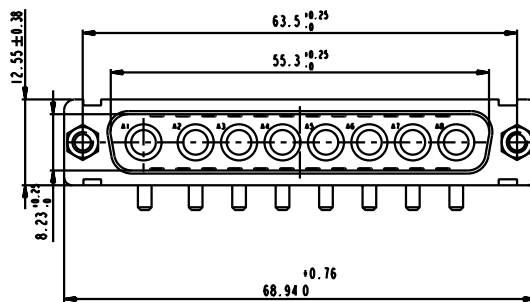
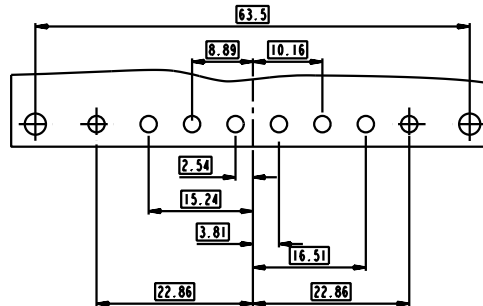
This drawing is the property of FCI. All rights reserved. Reproduction or distribution of this drawing is prohibited without the written permission of FCI. Copyright © 2005 FCI.

FCI www.fciconnect.com		surface	tolerance	projection		
Dr	M PESSON	11/10/05	Product family	-	size	Scale
Eng	11/10/05	P LEGARE	Spec ref		A2	2:1
Chr			Material	SEE NOTES	ECN	
Appr						
Title				Rev.		
SUB MALE DW US foot print				C01-8639-2313		A
full power right angled solder				CUSTOMER COPY		sheet 4 of 5
catalog no						

5W5
LAYOUT AND CONNECTOR DIMENSIONS
 For PCB hole diameters see table 1 sheet 1



8W8
LAYOUT AND CONNECTOR DIMENSIONS
 For PCB hole diameters see table 1 sheet 1



This drawing is the property of FCI. All rights reserved. Reproduction or use without the written permission of FCI is prohibited.

FCI

This drawing is the property of FCI. All rights reserved. Reproduction or use without the written permission of FCI is prohibited.

FCI www.fciconnect.com		surface <input checked="" type="checkbox"/>	tolerance	projection
Dr M PESSON	11/10/05	Product family		size A2
Eng 11/10/05	P LEGARE	Spec ref		Scale 2:1
Chr		Material		ECN
Appr		SEE NOTES		
Title SUB MALE DW US foot print			dag no C01-8639-2313	Rev. A
full power right angled solder			CUSTOMER COPY	sheet 5 of 5
catalog no				