

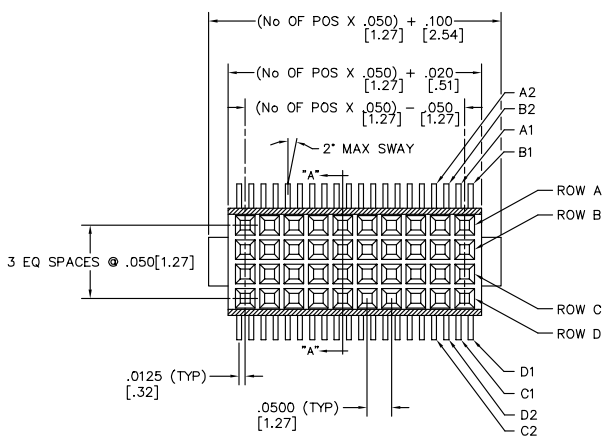
UNLESS OTHERWISE NOTED TOLERANCES ARE:

DIMENSIONS ARE IN INCHES	ONE PLACE DECIMALS ± .1	THREE PLACE DECIMALS ± .005	ANGLES ± 5°
	TWO PLACE DECIMALS ± .01	FOUR PLACE DECIMALS ± .0020	

TITLE: .050 X .050 C.L. 4 ROW SOCKET STRIP

DWG NO: FOLC-1XX-X2-XX-Q-XX-X

SHEET 1 OF 2



-LC: LOCKING CLIP (FIG: 1)

FOLC-1XX-X2-XX-Q-XX-X

NO OF POSITIONS -05 THRU -50

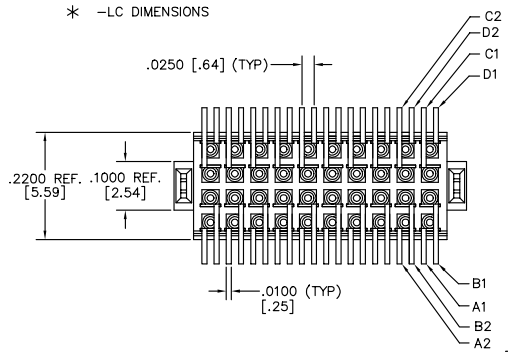
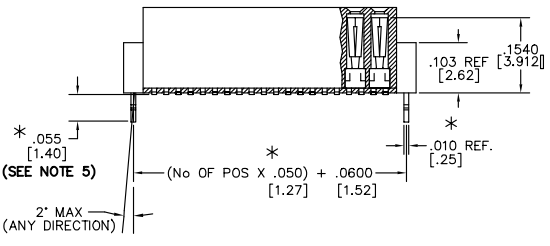
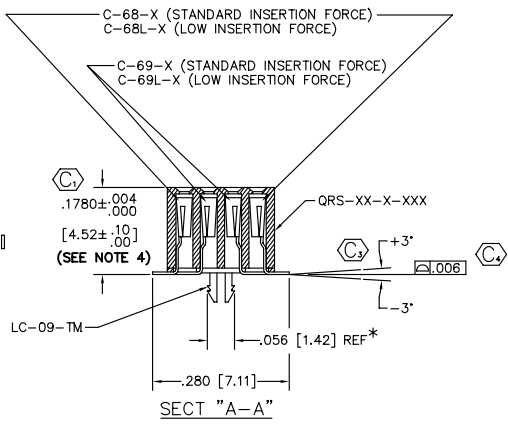
LEAD STYLE -02: SURFACE MOUNT -L2: LOW INSERTION FORCE SURFACE MOUNT

OPTION -P: PICK AND PLACE PAD (SEE FIG 3, SHT 2) -TR: TAPE & REEL -K: POLYAMIDE FILM PAD (.005 [13] THICK W/ SILICONE ADHESIVE)(SEE FIG 4, SHT 2) (USE K-500-300)

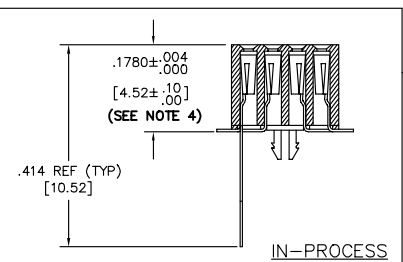
OPTION -LC: LOCKING CLIP (SEE FIGURE 1) -LCR: LOCKING CLIP REVERSED (SEE FIG 2, SHT 2)

BODY SPECIFICATION -Q: 4 ROW

PLATING SPECIFICATION -S: SELECTIVE, .000030 GOLD ON POST WITH TIN ON TAIL -SM: SELECTIVE, .000030 GOLD ON POST/MATTE TIN TAILS

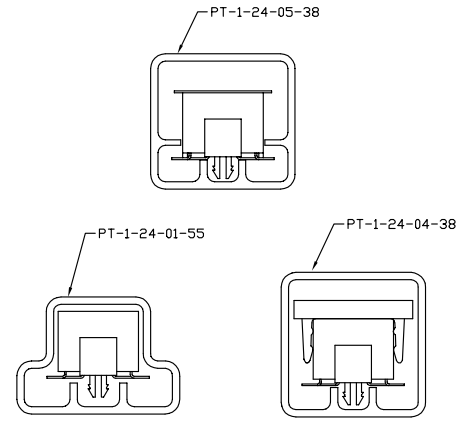


- NOTES:
- PARTS TO BE PACKAGED IN TUBES.
  - ROW TO ROW DIMENSION MUST BE WITHIN .002 OF EACH OTHER
  - ⊙ REPRESENTS A CRITICAL DIMENSION
  - MEASURE AT THE BEND, NOT AT THE TIP OF THE CONTACT
  - THIS DIMENSION TO BE MEASURED FROM TAIL TO L.C.



MATERIAL: INSULATOR: BLACK LIQUID CRYSTAL POLYMER TERMINAL: BeCu

OPTION	PACKAGING TUBE	PLUG
WITHOUT -P	PT-1-24-01-55	TP-03
WITH -P	PT-1-24-04-38	TP-03
-K, -K-LC	PT-1-24-05-38	TP-03



PACKAGING VIEW SCALE .75

Do not scale from this print

**PROPRIETARY NOTE**  
THIS DOCUMENT CONTAINS INFORMATION CONFIDENTIAL AND PROPRIETARY TO SAMTEC INC. AND SHALL NOT BE REPRODUCED OR TRANSFERRED TO OTHER DOCUMENTS OR DISCLOSED TO OTHERS OR USED FOR ANY PURPOSE OTHER THAN THAT FOR WHICH IT WAS OBTAINED WITHOUT THE EXPRESSED WRITTEN CONSENT OF SAMTEC INC.

**samtec**

MISC\WKTG FOLCMKMT

520 PARK EAST BLVD. NEW ALBANY, INDIANA 47150  
PHONE (812) 944-6733 P.O. BOX 1147  
CODE 55322

MADE BY: TIM PLUMMER 03-29-96

FOLC-1XX-MT-XX-Q-X  
SHEET 1 OF 1

PLOT SCALE 1=.2