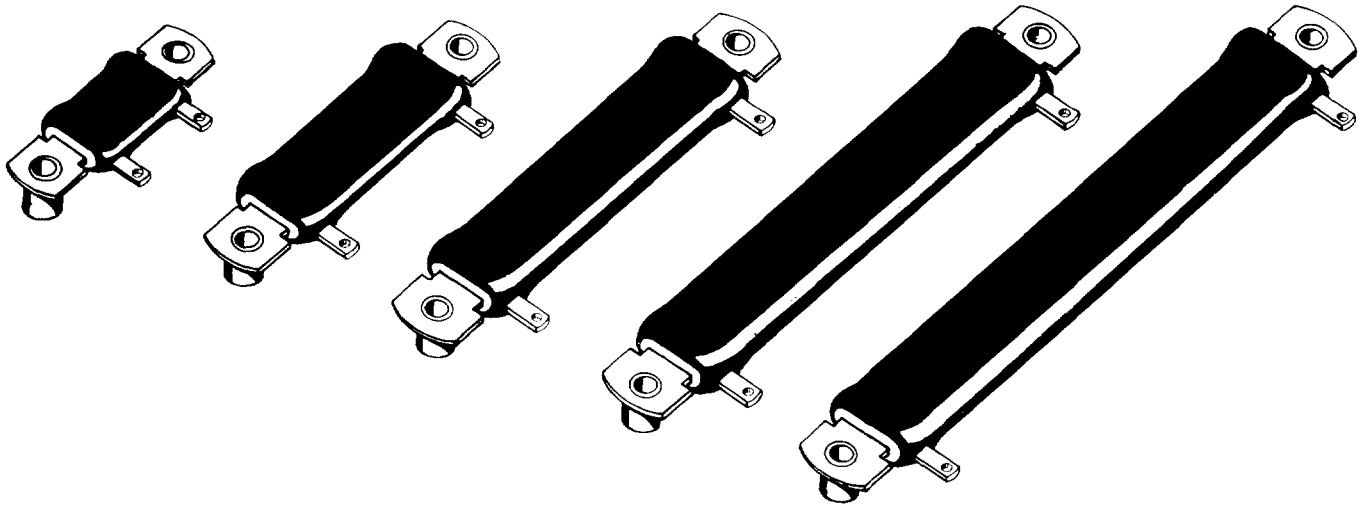


# STANDARD OVAL VITREOUS or SILICONE

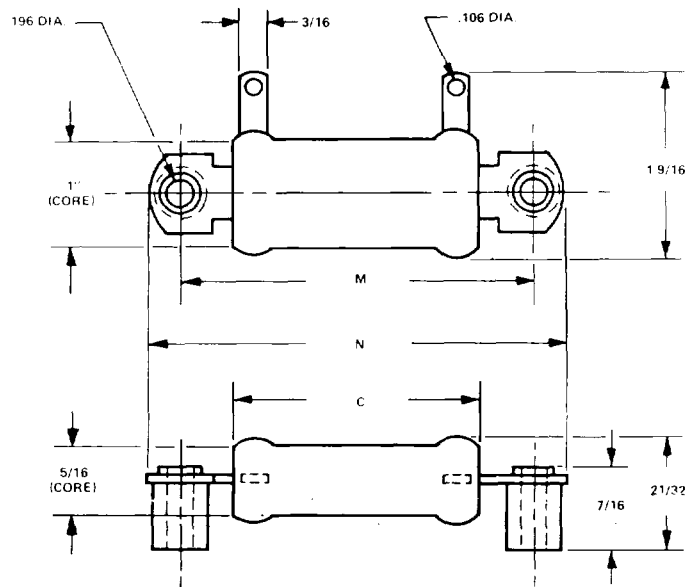


30 WATT thru 95 WATT



TYPE	WATT	C	M	N
FSOT-30	30	1 1/4	2	2 1/2
FSOT-40	40	2	2 3/4	3 1/4
FSOT-55	55	3 1/2	4 1/4	4 3/4
FSOT-65*	70	4 3/4	5 1/2	6
FSOT-75*	95	6	6 3/4	7 1/4

**NOTE:** The above chart applies to both vitreous and silicone coated resistors. The "type" nomenclature shown is for silicone coating. When ordering vitreous substitute the letter "V" for the letter "S" in the type.  
\*Not available in vitreous coating  
EXAMPLE: FVOT = VITREOUS      FSOT = SILICONE



## OPTIONAL FEATURES AVAILABLE

**RESISTANCE TOLERANCE:** Standard tolerance is  $\pm 5\%$  for 1 ohm and greater and  $\pm 10\%$  for less than 1 ohm. If other than standard tolerance is required add this tolerance to the part number. (See Below)

**NON-INDUCTIVE:** Ayrton-Perry type non-inductive winding is available. When required add "NI" to part number. (See Below)

**MOUNTING BRACKETS:** Standard oval resistors are supplied with a plated steel mounting bracket and aluminum standoff.

Standard oval resistors, like the miniature ovals, are easily stacked and utilize the mounting surface as a heat-sink. When stacking two or more parts the individual resistors should be de-rated as shown in the chart.

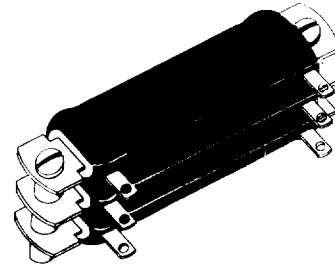
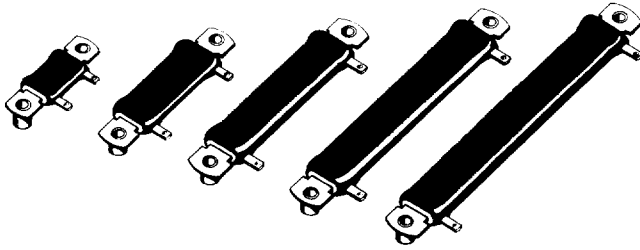
**ORDERING INFORMATION**  
FVOT-30 - 200 - 3% - NI

TYPE V=VITREOUS S=SILICONE	RESISTANCE VALUE	ADD FOR SPECIAL TOLERANCE	ADD FOR NON- INDUCTIVE
----------------------------------	---------------------	---------------------------------	------------------------------

# STANDARD OVAL VITREOUS or SILICONE



30 WATT thru 95 WATT



## ENGINEERING DATA AND SPECIFICATIONS

**CORE:** Ceramic

**TERMINALS:** Hot tin dipped

**COATING:** Available in vitreous enamel or silicone. (See ordering information.)

**MOUNTING BRACKETS:** Standard oval resistors are supplied with a plated steel mounting bracket and aluminum standoff.

**TEMPERATURE COEFFICIENT:**  $0 \pm 400$  ppm/ $^{\circ}$ C 1 Ohm to 20 Ohms.  $0 \pm 260$  ppm/ $^{\circ}$ C 20 Ohms or above. (Special TC's available. Consult factory.)

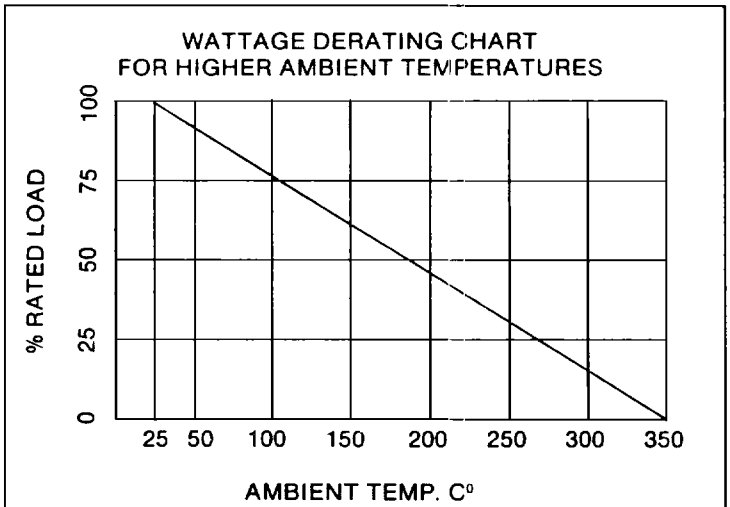
**DIELECTRIC WITHSTANDING VOLTAGE:** Measured from terminals to mounting brackets. 1000 VAC.

**INDUCTANCE:** Standard parts have single layer inductive windings. Ayrton-Perry type non-inductive winding is available. (See ordering information.)

**OVERLOAD:** 10 x rated wattage for 5 seconds.

**TOLERANCE:**  $\pm 5\%$  is standard for 1 Ohm and greater.  $\pm 10\%$  for less than 1 Ohm. Special tolerances available. (See ordering information.)

**WATTAGE RATING:** Based on a single resistor mounted on a 10" x 10" x .040 steel mounting surface or equivalent. See derating chart for stacked resistors.



**PERCENT OF SINGLE UNIT RATING  
FOR MULTIPLE STACK RESISTORS**

Number of Resistors	Horizontal Stacking	Vertical Stacking
2	75%	80%
3	60%	70%
4	50%	65%