



HPSTP SERIES

HPSTP-19-1000-ML-ML



HPSTP-19-2000-S-S

# HI-SPEED SHIELDED TWISTED PAIR CABLE

## SPECIFICATIONS

Mates with:  
HDMI, MHDMI

For complete specifications see  
www.samtec.com?HPSTP

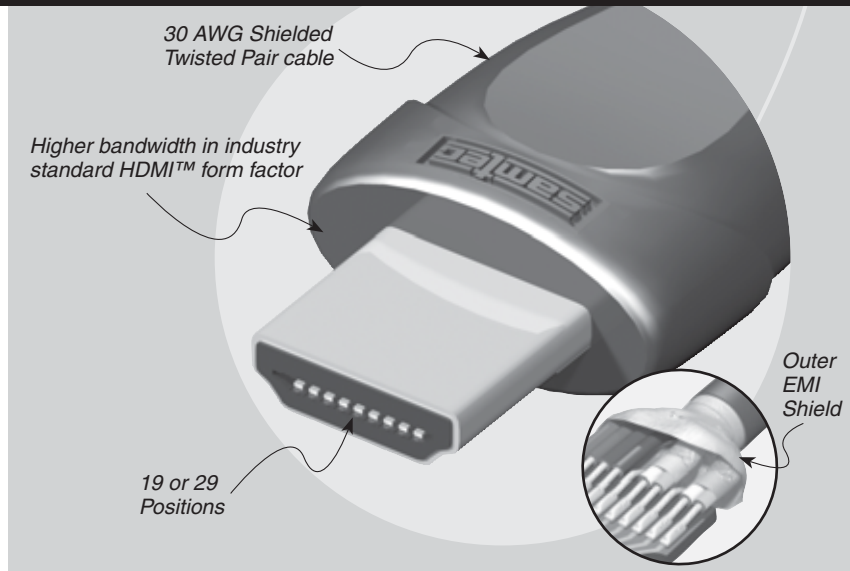
Signal Routing:  
100Ω Differential

Pinout Map:  
See web address above

RoHS Compliant:  
Yes

HPSTP	
Cable Length	30 AWG Shielded Twisted Pair
1 meter (39.4")	1.78 GHz / 3.56 Gbps

Performance data for other cable lengths and complete test data available at www.samtec.com?HPSTP or contact sig@samtec.com



## ALSO AVAILABLE

- 30 AWG twinax cable. (See HPDPI Series)
- Custom cable lengths/higher performance.
- Standard HDMI™ cables. Call Samtec.

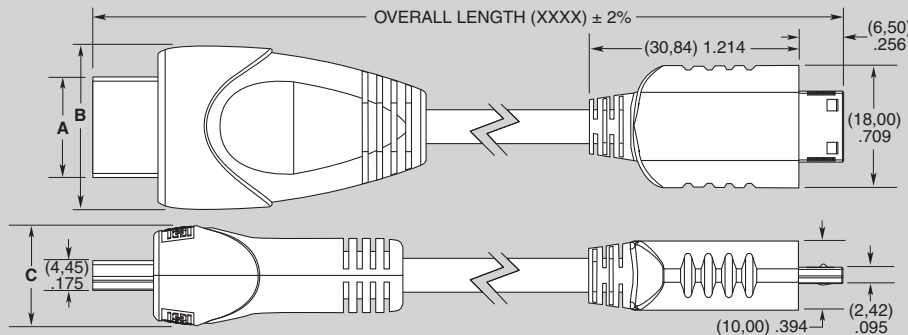
TYPE	NO. OF POSITIONS	LENGTH	END NO. 1	END NO. 2
<b>HPSTP</b> = Micro Shielded Twisted Pair Cable	<b>-19</b> = 5 Pairs, 5 Power, 19 Positions  <b>-29</b> = 8 Pairs, 5 Power, 29 Positions (-S end option only)	<b>-“XXXX”</b> = Length in millimeters -1000, -2000, -3000, -5000	<b>-S</b> = Standard HDMI  <b>-M</b> = Mini HDMI (19 positions only) (-5000 length not available)  <b>-SL</b> = Standard HDMI with Locking (19 positions only)  <b>-ML</b> = Mini HDMI with Latching (19 positions only) (-5000 length not available)	<b>-S</b> = Standard HDMI (-S-S & -M-S only)  <b>-M</b> = Mini HDMI (-M-M & -S-M only, 19 positions only.) (-5000 length not available)  <b>-SL</b> = Standard HDMI with Locking (-SL-SL only, 19 positions only.)  <b>-ML</b> = Mini HDMI with Latching (-ML-ML only, 19 positions only.) (-5000 length not available)

NO. OF POSITIONS	A	B	C	NO. OF PAIRS
-19	(13.90) .547	(20.51) .807	(11.10) .437	05
-29	(21.20) .835	(27.20) 1.071	(13.00) .512	08



**Note:**  
This product is non-standard, non-returnable.



Due to technical progress, all designs, specifications and components are subject to change without notice.

WWW.SAMTEC.COM