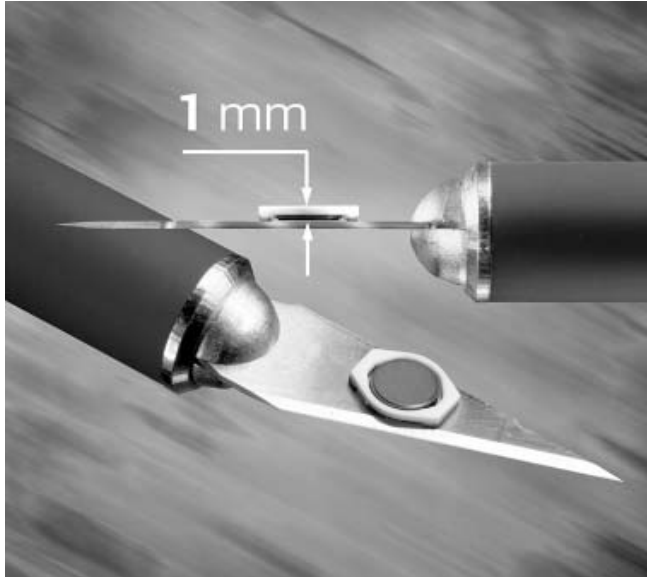


SMT Power Inductors - LPO1704 Series

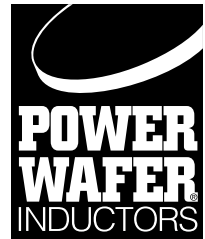


We now offer an improved version of this series: LPO6610.

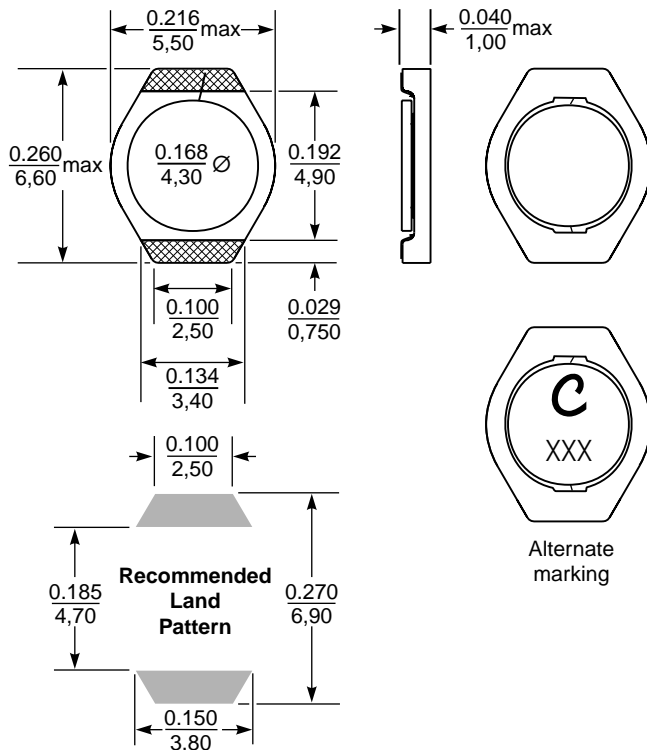
It has identical electrical specifications and footprint, and comes in a more robust package that features part identification marking. We will, however, continue to produce the LPO1704 indefinitely.

Measuring just 1 mm high, the LPO1704 is the world's lowest profile power inductor!

This series has been specially designed for applications requiring the smallest possible footprint and lowest height: notebook computers, PDAs, PC Cards, mobile phones and other handheld products.



The specially designed ceramic case totally protects the winding while the flat top provides the best possible surface for pick and place handling.



Parts/reel: 7" 1000 Tape width: 12 mm
For packaging data see Tape and Reel Specifications section.

Part number ¹	L ² ±20% (μH)	DCR max (Ohms)	SRF typ (MHz)	Isat ³ (A)	Irms ⁴ (A)
LPO1704-122M_	1.2	0.08	190	2.1	1.7
LPO1704-152M_	1.5	0.10	140	1.9	1.5
LPO1704-222M_	2.2	0.12	115	1.6	1.4
LPO1704-332M_	3.3	0.16	90	1.3	1.2
LPO1704-472M_	4.7	0.20	88	1.1	1.1
LPO1704-682M_	6.8	0.32	66	0.90	0.85
LPO1704-103M_	10	0.41	55	0.80	0.75
LPO1704-153M_	15	0.55	42	0.65	0.60
LPO1704-223M_	22	0.85	38	0.50	0.52
LPO1704-333M_	33	1.3	29	0.40	0.42
LPO1704-473M_	47	1.8	22	0.35	0.36
LPO1704-683M_	68	2.5	18	0.30	0.30
LPO1704-104M_	100	3.5	14	0.25	0.26
LPO1704-154M_	150	5.0	12	0.18	0.21
LPO1704-224M_	220	7.0	10	0.16	0.18
LPO1704-334M_	330	15.0	8	0.13	0.13

- When ordering, please specify packaging code: **LPO1704-334M_**
C = 7" machine-ready reel EIA-481 embossed plastic tape (1000 per reel).
B = Less than full reel In tape, but not machine-ready. To have a leader and trailer added (\$25 charge), use code letter C instead.
 - Tested at 100 kHz, 0.1 Vrms, 0 Adc.
 - DC current at which the inductance drops 10% (typ) from its value without current.
 - Average current for a 40°C rise above 25°C ambient.
 - Operating temperature range -40°C to +85°C.
 - Electrical specifications at 25°C.
- See Qualification Standards section for environmental and test data.

Coilcraft®

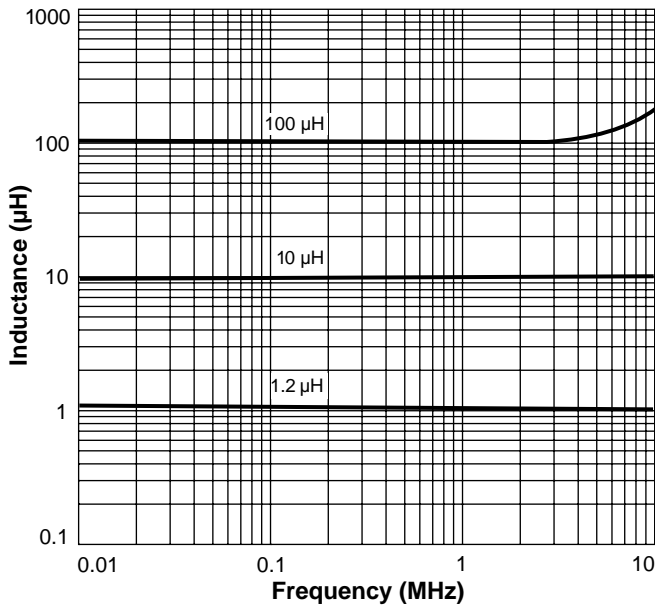
Specifications subject to change without notice. Document 233-1 Revised 05/28/03

1102 Silver Lake Road Cary, Illinois 60013 Phone 847/639-6400 Fax 847/639-1469
E-mail info@coilcraft.com Web <http://www.coilcraft.com>

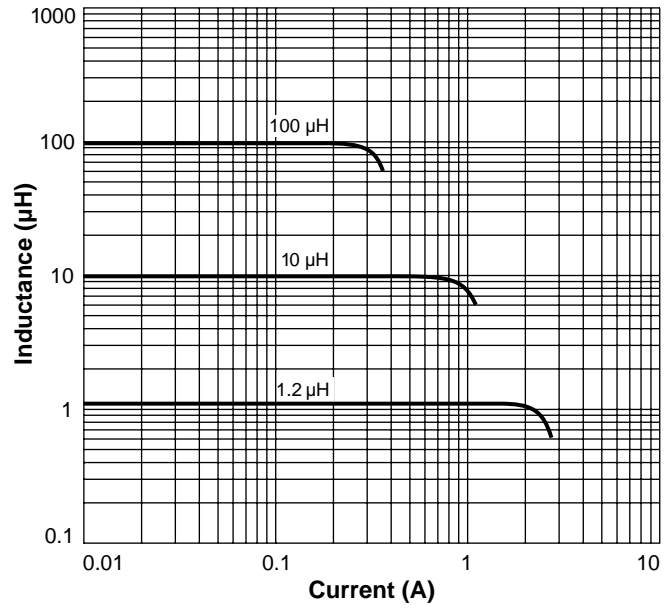
SMT Power Inductors - LPO1704 Series

SPICE models
ON OUR WEB SITE OR CD

Typical L vs Frequency



Typical L vs Current



Specifications subject to change without notice. Document 233-2 Revised 11/15/02

1102 Silver Lake Road Cary, Illinois 60013 Phone 847/639-6400 Fax 847/639-1469

E-mail info@coilcraft.com Web <http://www.coilcraft.com>