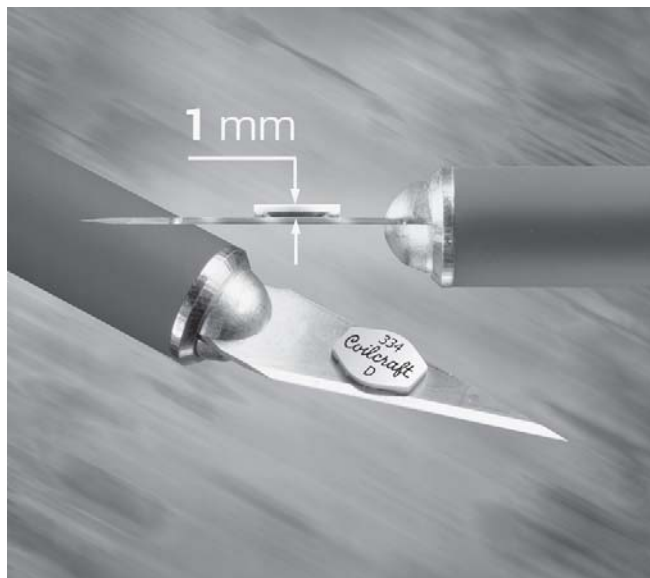




SMT Power Inductors - LPO6610 Series



Measuring just 1 mm high, the LPO6610 is our lowest profile power inductor!

This series has been specially designed for applications requiring a very small footprint and the lowest possible height: notebook computers, PDAs, PC Cards, mobile phones and other handheld products.

The specially designed ceramic case totally protects the winding while the flat top provides the best possible surface for pick and place handling.

Coilcraft **Designer's Kit C167** contains samples of all values shown. To order, contact Coilcraft or purchase on-line at <http://order.coilcraft.com>.



SPICE models ON OUR WEB SITE OR CD

Part number ¹	L ² ±20% (µH)	DCR max (Ohms)	SRF typ (MHz)	Isat ³ (A)	Irms ⁴ (A)
LPO6610-122M_	1.2	0.08	190	2.1	1.7
LPO6610-152M_	1.5	0.10	140	1.9	1.5
LPO6610-222M_	2.2	0.12	115	1.6	1.4
LPO6610-332M_	3.3	0.16	90	1.3	1.2
LPO6610-472M_	4.7	0.20	88	1.1	1.1
LPO6610-682M_	6.8	0.32	66	0.90	0.85
LPO6610-103M_	10	0.41	55	0.80	0.75
LPO6610-153M_	15	0.55	42	0.65	0.60
LPO6610-223M_	22	0.85	38	0.50	0.52
LPO6610-333M_	33	1.3	29	0.40	0.42
LPO6610-473M_	47	1.8	22	0.35	0.36
LPO6610-683M_	68	2.5	18	0.30	0.30
LPO6610-104M_	100	3.5	14	0.25	0.26
LPO6610-154M_	150	5.0	12	0.18	0.21
LPO6610-224M_	220	7.0	10	0.16	0.18
LPO6610-334M_	330	15.0	8	0.13	0.13

1. When ordering, please specify **packaging** code:

LPO6610-334M **C**

Packaging: C = 7" machine-ready reel. EIA-481 embossed plastic tape (1000 parts per full reel).

B = Less than full reel. In tape, but not machine ready. To have a leader and trailer added (\$25 charge), use code letter C instead.

- Inductance tested at 100 kHz, 0.1 Vrms, 0 Adc.
 - DC current at which the inductance drops 10% (typ) from its value without current.
 - Average current for a 40°C rise above 25°C ambient.
 - Operating temperature range -40°C to +85°C.
 - Electrical specifications at 25°C.
- See Qualification Standards section for environmental and test data.

Coilcraft[®]

Specifications subject to change without notice.
Please check our website for latest information.

Document 333-1 Revised 05/28/03

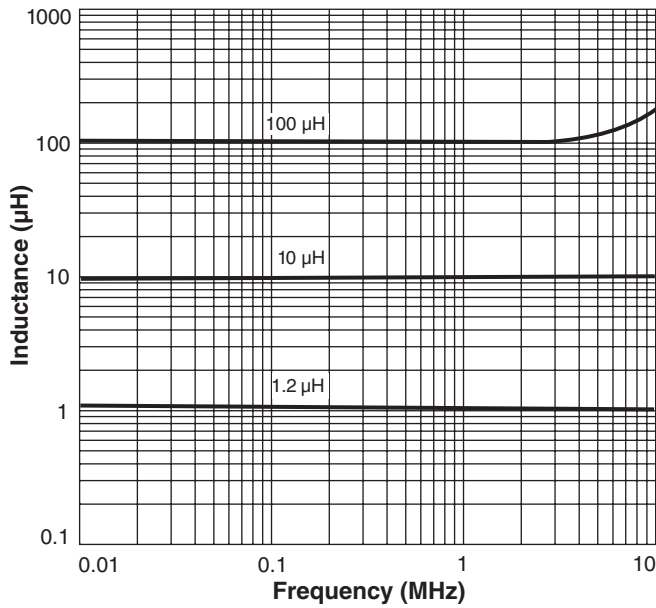
1102 Silver Lake Road Cary, Illinois 60013 Phone 847/639-6400 Fax 847/639-1469

E-mail info@coilcraft.com Web <http://www.coilcraft.com>

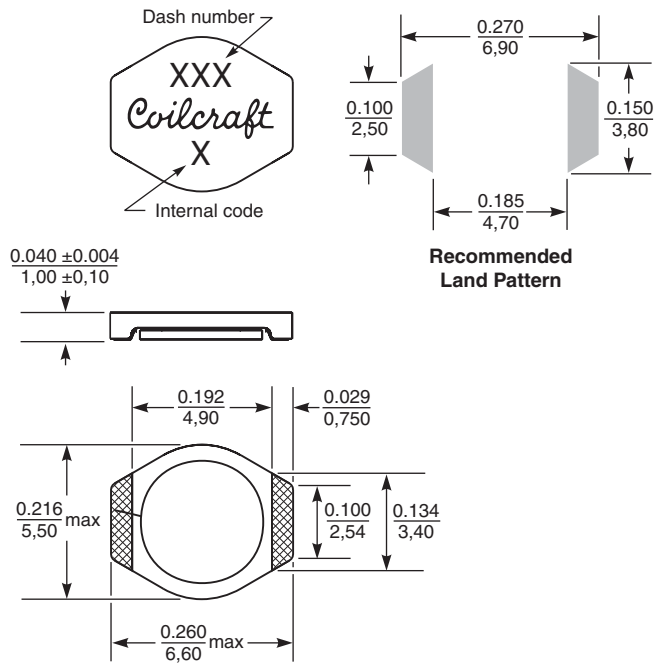
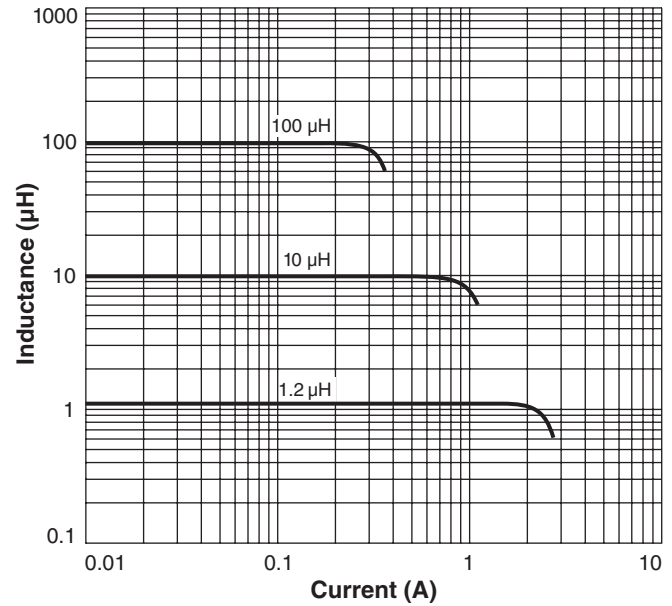


SMT Power Inductors - LPO6610 Series

Typical L vs Frequency



Typical L vs Current



Terminations: Silver-palladium-platinum
Tape and reel: 1000/7" reel 12 mm tape width
 For packaging data see Tape and Reel Specifications section.



Specifications subject to change without notice.
 Please check our website for latest information. Document 333-2 Revised 12/14/03

1102 Silver Lake Road Cary, Illinois 60013 Phone 847/639-6400 Fax 847/639-1469
 E-mail info@coilcraft.com Web http://www.coilcraft.com