

Right-angle through hole type modular jack for PCB
MOD-SJ88DA02B+

RoHS

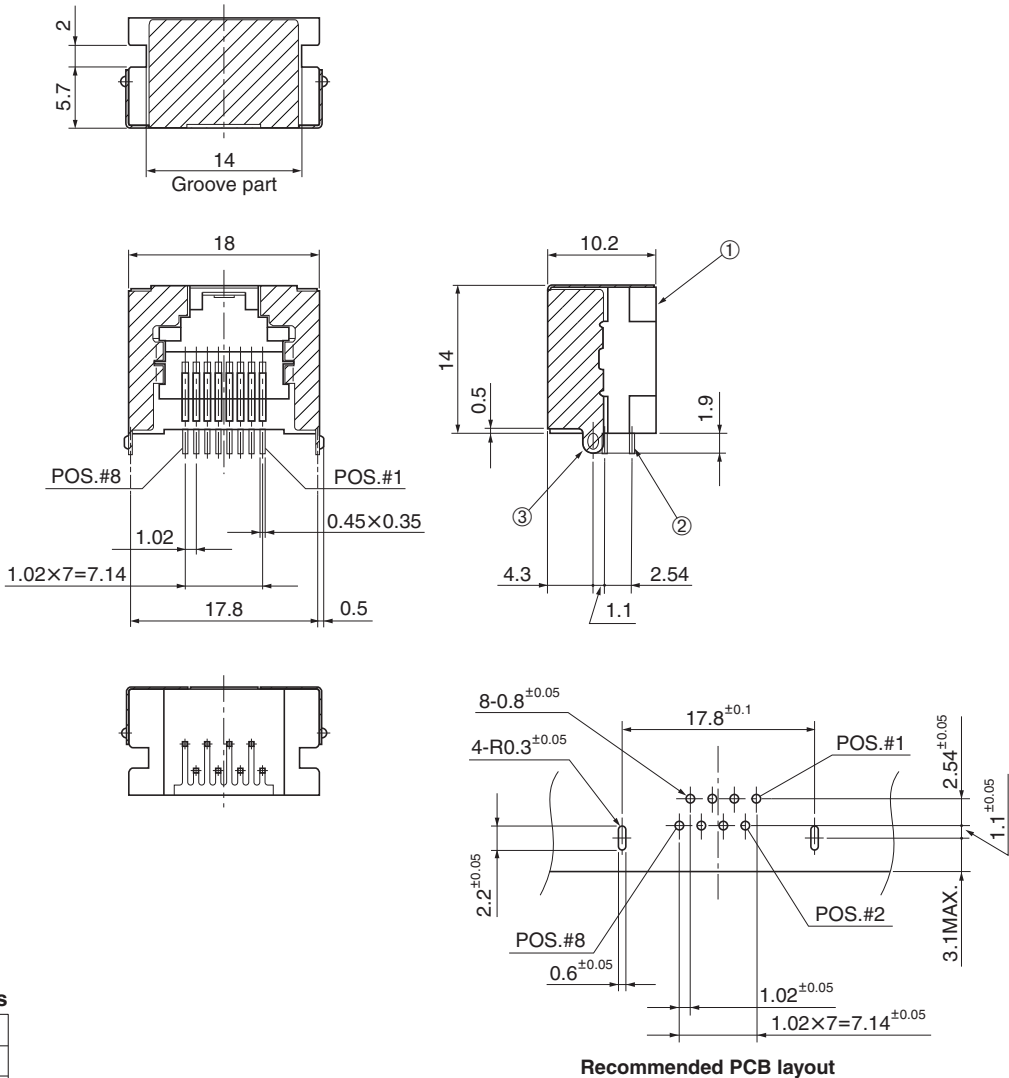


● Configuration of product Part No.

MOD- SJ88 DA 02B+

① ② ③ ④

- ① Series name
- ② 8-8 Jack with shield
- ③ Type of contact
Right-angle through hole type
- ④ Contact plating:
Min. 0.2 μm Gold plate



● Components

①	Contacts
②	Insulator
③	Shield

Mating connectors: 8-8 modular plug
 8-8 modular plug (With shield)