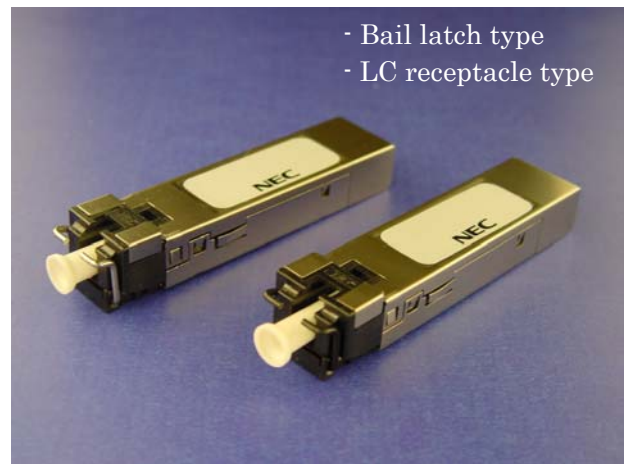


# OD-BP252x

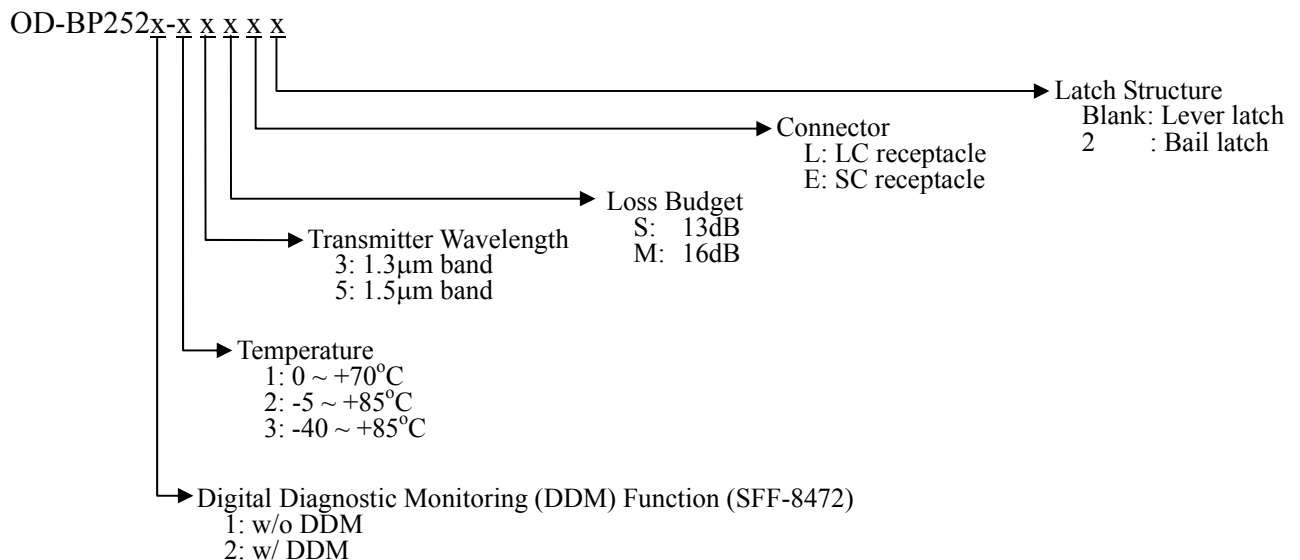
## 2.5Gbps 1.3 $\mu$ m/1.5 $\mu$ m WDM Bi-directional SFP Transceiver

### FEATURES

- Single fiber Bi-directional Optical Transceiver consists of
  - Transmitter
  - Receiver with 2R function
  - 1.3/ 1.5 $\mu$ m WDM function using Planar Lightwave Circuit (PLC)
- SFP Transceiver MSA
- 2.488Gbps Data Rate
- Loss of Signal (LOS) function
- Transmitter disable (TX\_DISABLE) function
- Single Power Supply Voltage of +3.3V
- Differential AC100 ohms Data Input/Output
- Hot-pluggable electrical interface
- Serial identification
- LC and SC receptacle
- Lead-free and RoHS Compliant
- Applied to SDH/SONET (OC-48)



### PRODUCT INFORMATION



## OPERATING CONDITIONS

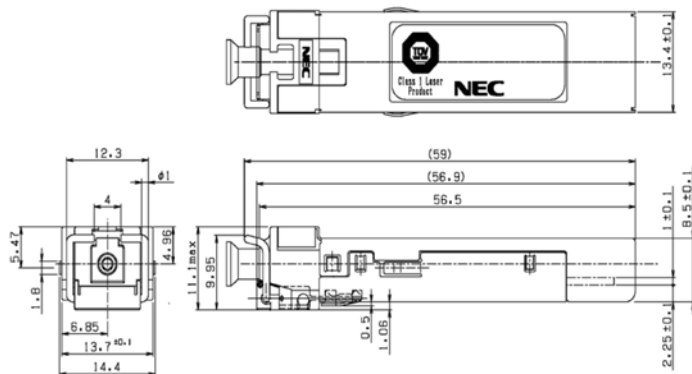
Parameter	Unit	Values			Remarks
		Min.	Typ.	Max.	
Case Temperature	°C	0	–	+ 70	-1xxxx
		- 5	–	+ 85	-2xxxx
		- 40	–	+ 85	-3xxxx
Power Supply Voltage	V	+ 3.135	+ 3.300	+ 3.465	
Power Supply Current	mA		240	330	

## PERFORMANCE

Parameter	Unit	OD-BP252x			
		-x3Sxx	-x3Mxx	-x5Sxx	-x5Mxx
		1.3µm Tx / 1.5µm Rx		1.5µm Tx / 1.3µm Rx	
Bit rate	Gbps	2.48832			
<b>TRANSMITTER</b>					
Laser Diode type	–	SLM-LD			
Wavelength	nm	1290 ~ 1330		1480 ~ 1500	
Spectral width (-20dB)		≤ 0.88			
Mean output power	dBm	-5 ~ 0	-5 ~ 0	-5 ~ 0	-5 ~ 0
Extinction ratio	dB	≥ 8.2			
Transmitter disable (TX_DISABLE)	–	Optical output enable = Low Level Optical output disable = High Level or Open circuit			
<b>RECEIVER</b>					
Photo Diode type	–	PIN-PD			
Wavelength	nm	1480 ~ 1500		1290 ~ 1330	
2R sensitivity (*)	dBm	≤ -18	≤ -21	≤ -18	≤ -21
2R overload	dBm	≥ 0	≥ 0	≥ 0	≥ 0
Loss of Signal (LOS)	–	Normal Operation = Low Level Fault Condition = High Level			

(\*) at BER=10<sup>-10</sup>

## DIMENSIONS (Unit:mm)



### Pin description

Top of Transceiver		Bottom of Transceiver	
20	VEET	1	VEET
19	TD-	2	TX_FAULT
18	TD+	3	TX_DISABLE
17	VEET	4	MOD_DEF(2)
16	VCCT	5	MOD_DEF(1)
15	VCCR	6	MOD_DEF(0)
14	VEER	7	NC(*)
13	RD+	8	LOS
12	RD-	9	VEER
11	VEER	10	VEER

\* : Rate Select function is not implemented.

DATA SUBJECT TO CHANGE WITHOUT NOTICE

**NEC Corporation**  
Sales and Marketing Department, Fiber Optic Devices Division  
(Shin Tamachi Building) 34-6, Shiba 5-chome, Minato-ku,  
Tokyo 108-0014, Japan  
Tel: +81-3-3798-5864 Fax: +81-3-3798-5857

<http://www.sw.nec.co.jp/on/dd/en/>

EWV-19-0233-01E, Jun., 2009

Copyright © 2009 NEC Corporation

**NEC Electronics (Europe) GmbH**  
Sales and marketing of semiconductors across Europe  
Arcadiastrasse 10, D-40472 Dusseldorf, Germany  
Tel: +49-211-6503-0 Fax: +49-211-6503-1344

**NEC Corporation of America (USA & Canada)**  
FiberOptech Division  
Mail Stop# NC1000  
2880 Scott Blvd, Santa Clara, CA 95050, U.S.A.  
Tel: +1-408-844-1082 Fax: +1-408-844-1090