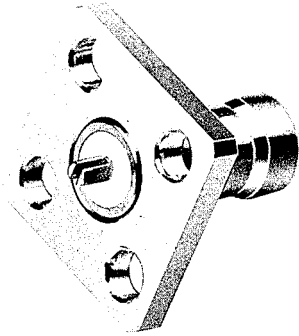


POB SERIES RF CO-AXIAL CONNECTORS

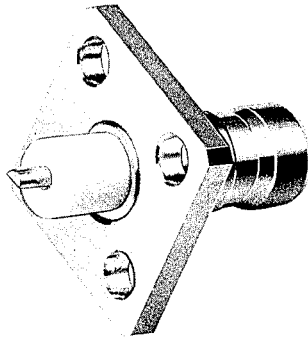
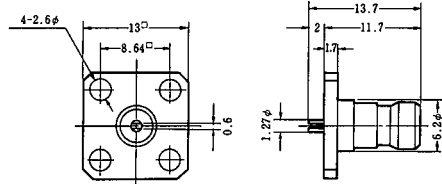
Receptacles

There are the following types of receptacle products. The dimensions for mounting them on the sets have been made compatible with the HRM series.



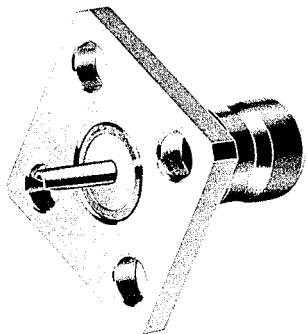
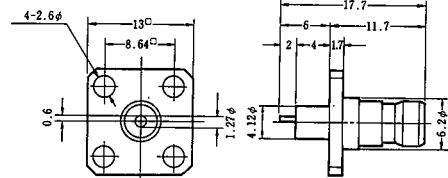
HRS No.	Part No.
CL326-0041-5	POB-R-4

Fastened with machine screws
at four places
Slitter terminals
Straight receptacles



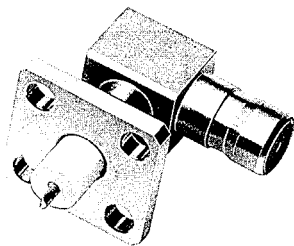
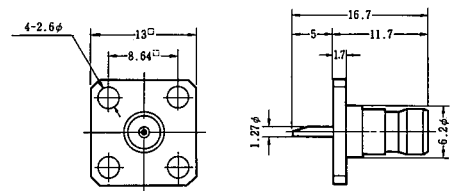
HRS No.	Part No.
CL326-0042-8	POB-R-6

Fastened with machine screws
at four places
Half-cutter terminals
Straight receptacles



HRS No.	Part No.
CL326-0044-3	POB-R-15

Fastened with machine screws
at four places
Solder terminals
Straight receptacles



HRS No.	Part No.
CL326-0043-0	POB-LR-5

Fastened with machine screws
at four places
Half cutter terminals
L-type receptacles

