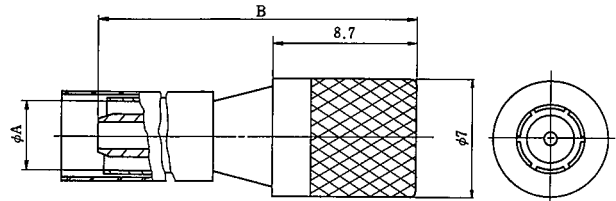
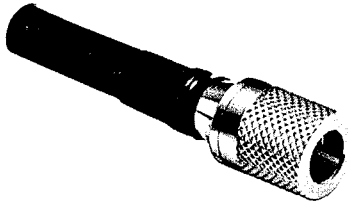


POD SERIES RF CO-AXIAL CONNECTORS

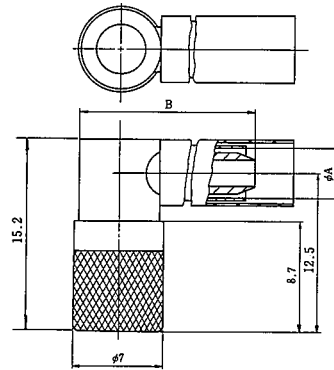
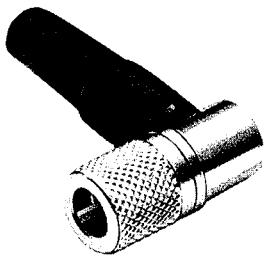
Connectors for flexible cables

HRS No.	Part No.	Applicable cable
CL327-0021-4	POD-P-1.5DV	1.5D-2V
CL327-0022-7	POD-P-1.5DW	1.5D-2W
CL327-0023-0	POD-P-2.5DV	2.5D-2V



Part No.	ϕA	B
POD-P-1.5DV	2.5	17.8
POD-P-1.5DW	4.1	17.8
POD-P-2.5DV	5.5	19.8

HRS No.	Part No.	Applicable cable
CL327-0031-8	POD-LP-1.5DV	1.5D-2V
CL327-0033-3	POD-LP-2.5DV	2.5D-2V



Part No.	ϕA	B
POD-LP-1.5DV	3.8	13.7
POD-LP-2.5DV	5.5	13.9

HRS No.	Part No.	Applicable cable
CL327-0037-4	POD-LJ-2.5V	2.5D-2V

