

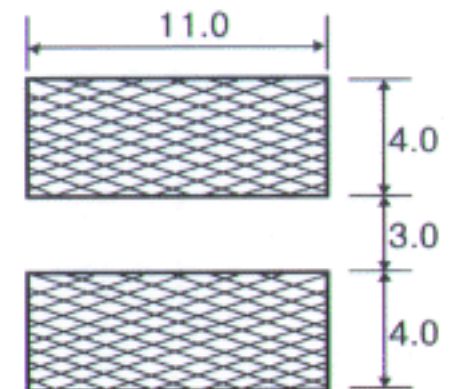
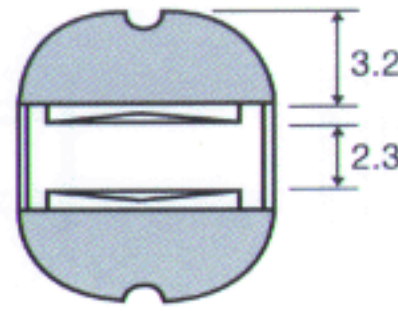
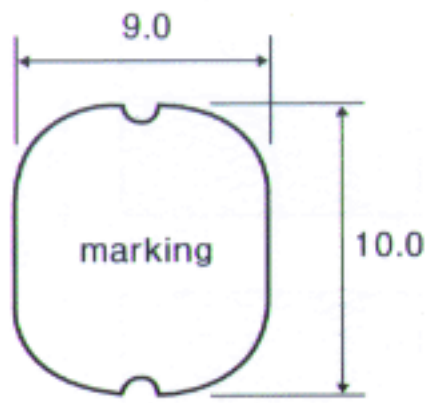
P1054 Series

Application

- ▶ Notebook Computer & PDA
- ▶ Battery charger
- ▶ DC/DC Converter
- ▶ Digital camera, Scanner
- ▶ CD-ROM & DVD



Shape & Dimensions (Unit:mm)



Tolerance : ± 0.2

(PCB Pattern)

Standard Specifications

Part No.	Inductance	D.C. Resistance	Rated Current
	($\mu\text{H} \pm 20\%$)	($\Omega \pm 20\%$)	(A max)
SFOP1054-2R6100	10	0.060	2.60
SFOP1054-2R2150	15	0.080	2.27
SFOP1054-1R9220	22	0.100	1.95
SFOP1054-1R7270	27	0.110	1.76
SFOP1054-1R5330	33	0.120	1.50
SFOP1054-1R3390	39	0.140	1.37
SFOP1054-1R2470	47	0.170	1.28
SFOP1054-1R1560	56	0.190	1.17
SFOP1054-1R1680	68	0.220	1.11
SFOP1054-R97101	100	0.350	0.97
SFOP1054-R78151	150	0.470	0.78
SFOP1054-R66221	220	0.730	0.66
SFOP1054-R52331	330	1.150	0.52
SFOP1054-R42471	470	1.480	0.42
SFOP1054-R33561	560	1.900	0.33
SFOP1054-R28681	680	2.250	0.28
SFOP1054-R24821	820	2.550	0.24

1. Inductance Tested at 1kHz, 1Vrms.
2. Inductance measured by HP 4284A, PRECISION LCR METER
3. Inductance drop 10% typ. at rated current
4. Operating temperature range -40°C to $+85^{\circ}\text{C}$
5. Electrical specifications at 25°C