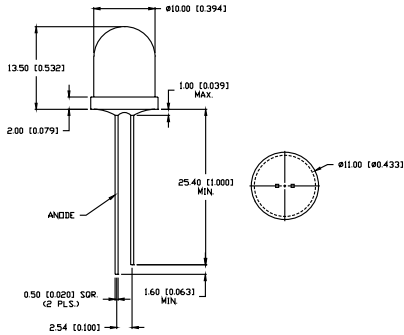


## SSL-LX100133xD Series

## T-10mm Dome



### FEATURES / OPTIONS

- ▶ State-of-the-Art, High Brightness Chip Technology
- ▶ Choice of Colors and Lens Finishes
- ▶ Lead Frame / Lens Casting Reliability
- ▶ Easy-to-Solder Leads, Tin Finish
- ▶ Available Bulk or on Tape and Reel
- ▶ Lead Trimming and Forming Available
- ▶ Custom Shapes, Easily Tooled, Low Minimum
- ▶ Blinking LED
- ▶ With Internal Resistor for 5V and 12V Operation

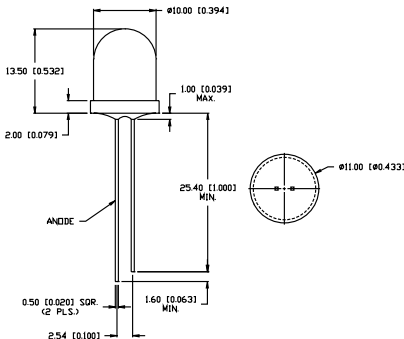
### APPLICATIONS / USES

- ▶ Board or Panel Indication or Illumination
- ▶ Backlighting of Overlays and Graphics
- ▶ Annunciator and Control Panels
- ▶ Keyboards and Switches
- ▶ Telecom Switches and Central Station Equipment
- ▶ Signs, Warning Lights, Displays

Lumex Part Number	Die Material	Emitted Color	Peak (nm)	Lens	Operating Current (mA)	Operating TYP. Vf (V)	Brightness TYP. Mcd	@ mA	View Angle° 2θ
<b>HIGH BRIGHTNESS</b>									
SSL-LX100133SID	AlInGaP	Super High Intensity Red	636	Red Diffused	5-25	2	550	20	60
SSL-LX100133SOD	AlInGaP	Super Orange	610	Orange Diffused	5-25	2	550	20	60
SSL-LX100133SUGD	AlInGaP	Super Ultra Green	574	Green Diffused	5-25	2.2	500	20	60
SSL-LX100133SYD	AlInGaP	Super Yellow	590	Yellow Diffused	5-25	2	350	20	60
SSL-LX100133USBD	InGaN/SiC	Ultra Super Blue	470	Blue Diffused	5-25	3.5	300	20	60
<b>STANDARD BRIGHTNESS</b>									
SSL-LX100133GD	GaP	Green	565	Green Diffused	5-25	2.2	30	20	60
SSL-LX100133ID	GaAsP	High Intensity Red	635	Red Diffused	5-25	2	40	20	60
SSL-LX100133SGD	GaP	Super Green	565	Green Diffused	5-25	2.2	45	20	60
SSL-LX100133SRD/B	GaAlAs	Super Red	660	Red Diffused	5-25	1.7	160	20	60
SSL-LX100133SRD/C	GaAlAs	Super Red	660	Red Diffused	5-25	1.7	275	20	60
SSL-LX100133SRD/D	GaAlAs	Super Red	660	Red Diffused	5-25	1.7	400	20	60
SSL-LX100133SRD/E	GaAlAs	Super Red	660	Red Diffused	5-25	1.7	500	20	60
SSL-LX100133SRD/F	GaAlAs	Super Red	660	Red Diffused	5-25	1.7	600	20	60
SSL-LX100133SRD/G	GaAlAs	Super Red	660	Red Diffused	5-25	1.7	725	20	60
SSL-LX100133YD	GaAsP	Yellow	585	Yellow Diffused	5-25	2.1	30	20	60

## SSL-LX100133xC Series

## T-10mm Dome Clear



### FEATURES / OPTIONS

- ▶ State-of-the-Art, High Brightness Chip Technology
- ▶ Choice of Colors and Lens Finishes
- ▶ Lead Frame / Lens Casting Reliability
- ▶ Easy-to-Solder Leads, Tin Finish
- ▶ Available Bulk or on Tape and Reel
- ▶ Lead Trimming and Forming Available
- ▶ Custom Shapes, Easily Tooled, Low Minimum
- ▶ Blinking LED
- ▶ With Internal Resistor for 5V and 12V Operation

### APPLICATIONS / USES

- ▶ Board or Panel Indication or Illumination
- ▶ Backlighting of Overlays and Graphics
- ▶ Annunciator and Control Panels
- ▶ Keyboards and Switches
- ▶ Telecom Switches and Central Station Equipment
- ▶ Signs, Warning Lights, Displays

Lumex Part Number	Die Material	Emitted Color	Peak (nm)	Lens	Operating Current (mA)	Operating TYP. Vf (V)	Brightness TYP. Mcd	@ mA	View Angle° 2θ
<b>HIGH BRIGHTNESS</b>									
SSL-LX100133SIC	AlInGaP	Super High Intensity Red	636	Water Clear	5-25	2	3200	20	30
SSL-LX100133SOC	AlInGaP	Super Orange	610	Water Clear	5-25	2.0	3200	20	30
SSL-LX100133SUGC	AlInGaP	Super Ultra Green	574	Water Clear	5-25	2.2	2000	20	30
SSL-LX100133SYC	AlInGaP	Super Yellow	590	Water Clear	5-25	2	3200	20	30
SSL-LX100133USBC	InGaN/SiC	Ultra Super Blue	470	Water Clear	5-25	3.5	800	20	30
<b>STANDARD BRIGHTNESS</b>									
SSL-LX100133IC	GaAsP	High Intensity Red	635	Water Clear	5-25	2	40	20	30
SSL-LX100133SBC/A	InGaN	Super Blue	430	Water Clear	5-25	3.5	80	20	30
SSL-LX100133SGC	GaP	Super Green	565	Water Clear	5-25	2.2	120	20	30
SSL-LX100133SRC/B	GaAlAs	Super Red	660	Water Clear	5-25	1.7	1000	20	30
SSL-LX100133SRC/C	GaAlAs	Super Red	660	Water Clear	5-25	1.7	1600	20	30
SSL-LX100133SRC/D	GaAlAs	Super Red	660	Water Clear	5-25	1.7	2000	20	30
SSL-LX100133SRC/E	GaAlAs	Super Red	660	Water Clear	5-25	1.7	2500	20	30
SSL-LX100133YC	GaAsP	Yellow	585	Water Clear	5-25	2.1	130	20	30



USA/Canada 1-800-278-5666  
Asia +886-3-5821124



[www.lumex.com](http://www.lumex.com)



USA/Canada 1-847-359-8904  
Asia +886-3-5821154