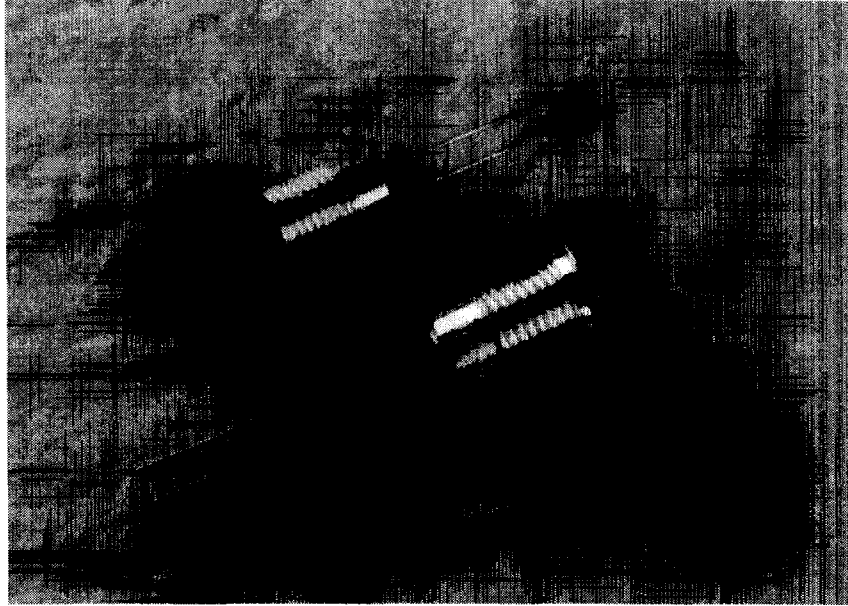


BIPOLAR MULTI-CHIP LAMP RANGE

FEATURES

- 6 - chip array for high intensity output
- bipolar d.c. or a.c. operation
- wide viewing angle
- sunlight readable
- rugged glass/metal construction
- sealed to BS 5490 IP67
- high reliability - 100% screened

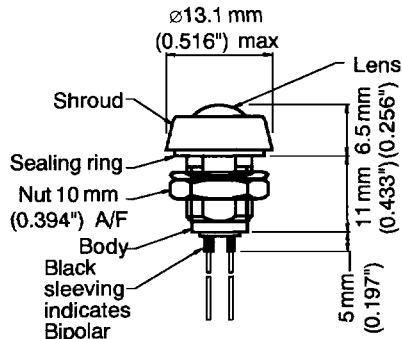


APPLICATIONS

- outdoor displays
- portable equipment
- cockpit/crew station indicators
- warnings/status indicators

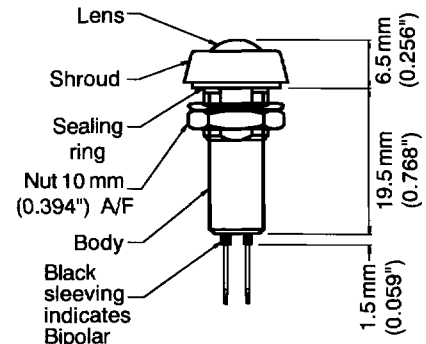
OPTIONAL STYLES

- integral resistor
- electrostatic screen
- flying leads



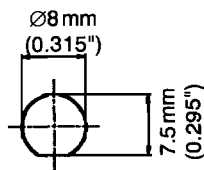
Terminations 14 mm (0.551") to 20 mm (0.787") long

PS/LH/8/DMC

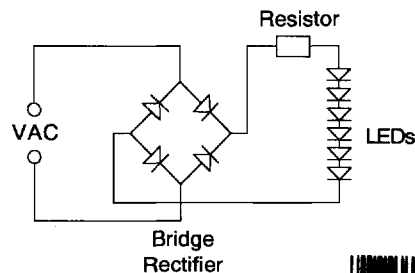


Terminations 8 mm (0.315") to 11 mm (0.433") long

STR/LH/8/DMC



MOUNTING HOLE DETAILS
PS/LH/8/DMC or STR/LH/8/DMC



0XLYS00087

CIRCUIT DIAGRAM (28 V Version)



BIPOLAR MULTI-CHIP LAMP RANGE

OPTICAL CHARACTERISTICS

	RED	AMBER	YELLOW	GREEN
Luminous Intensity (mcd at 20 mA)	80	25	25	80
Peak Wavelength (nm)	660	610	585	565

ELECTRICAL CHARACTERISTICS (a.c. or d.c.)

TYPE	FORWARD VOLTAGE Typ	FORWARD CURRENT (mA) Typ
PS/LH/8/DMC STR/LH/8/DMC	5.5	20
STR/LH/8/DMC/12	12	20 (at rated voltage)
STR/LH/8/DMC/28	24-28	

ENVIRONMENTAL

Operating and storage temperature : -40°C to 70°C
 Sealing : BS 2011 Pt 2.1 Qa at 30 psi (equivalent to 20 m water) BS 5490 IP 68

MOUNTING DETAILS

Chassis thickness : 3 mm (1/8") max
 Recommended mounting torque : 1 Nm (0.74 lbf ft)

MATERIALS

Body and nut : Aluminium alloy
 Sealing ring : PTFE
 Shroud : Aluminium alloy - black anodised
 Lens : Glass
 Terminations : Solderability to BS 2011 Test T
 Flying leads (optional) (type RAYCHEM 44M)

ORDERING INFORMATION

STR / LH / 8 / DMC / 28 / SES

┌───┐ ┌───┐
|
|
|
|
|

generic range
dual polarity multi LED
SES : electrostatic screen (optional)

PS - panel sealing
 STR - panel and rear sealing
 voltage (optional resistor styles only)
 FL30 : 300 mm flying leads (optional)

Please specify type no. and colour when ordering.

We also have capabilities to manufacture competitive custom products where quantities warrant. For further information please contact Technical Sales (01229) 582621.

COMPANY APPROVALS

NATO AQAP-1, MIL-Q-9858, ISO 9000, CECC, BS 9000, BS 5750 Pt. 1 MIL-I-45208

European and International Patents

OXLEY® is a trademark of Oxley Developments Company Ltd.

®Registered

Oxley Developments Company Ltd., Priory Park, Ulverston, Cumbria, England, LA12 9QG
 Tel: (01229) 582621 Fax: (01229) 585090 www.oxleygroup.com

Oxley Inc. 25 Business Park Drive, PO Box 814, Branford, CT 06405, USA
 Tel: (203) 488-1033 Fax: (203) 481-6971 www.oxleyinc.com

©Copyright Oxley Developments Company Ltd. 1998