

*New Jersey Semi-Conductor Products, Inc.*

20 STERN AVE.  
SPRINGFIELD, NEW JERSEY 07081  
U.S.A.

TELEPHONE: (973) 376-2922  
(212) 227-6005  
FAX: (973) 376-8960

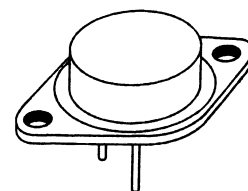
PARAMETERS

2N297  
GE PNP POWER BJT

Description: Ge PNP Power BJT

Manufacturer.....	
Mil/High-Rel? (Y/N).....	
Ic Max. (A).....	5.0
Vbr CEO.....	50V
Vbr CBO.....	60
Max. PD (W).....	35
Derate Above 25°C.....	500m
Min hFE.....	40
Max. hFE.....	100
@Ic (test) (A).....	500m
@VCE (V).....	2.0
Trans. Freq (Hz) Min.....	5.0k
Icbo Max. @Vcb Max. (A).....	3.0m
R(sat) (Ω).....	
Tr Max. (s).....	
t(f) Max. (S).....	
Oper. Temp (°C) Max.....	95J
Pkg Style.....	TO-3
Surface Mounted (Y/N).....	N
Pinout Equivalence Number.....	3-14

J Junction Temperature     $\Xi$  It(rms)     $\Gamma$  BVCES



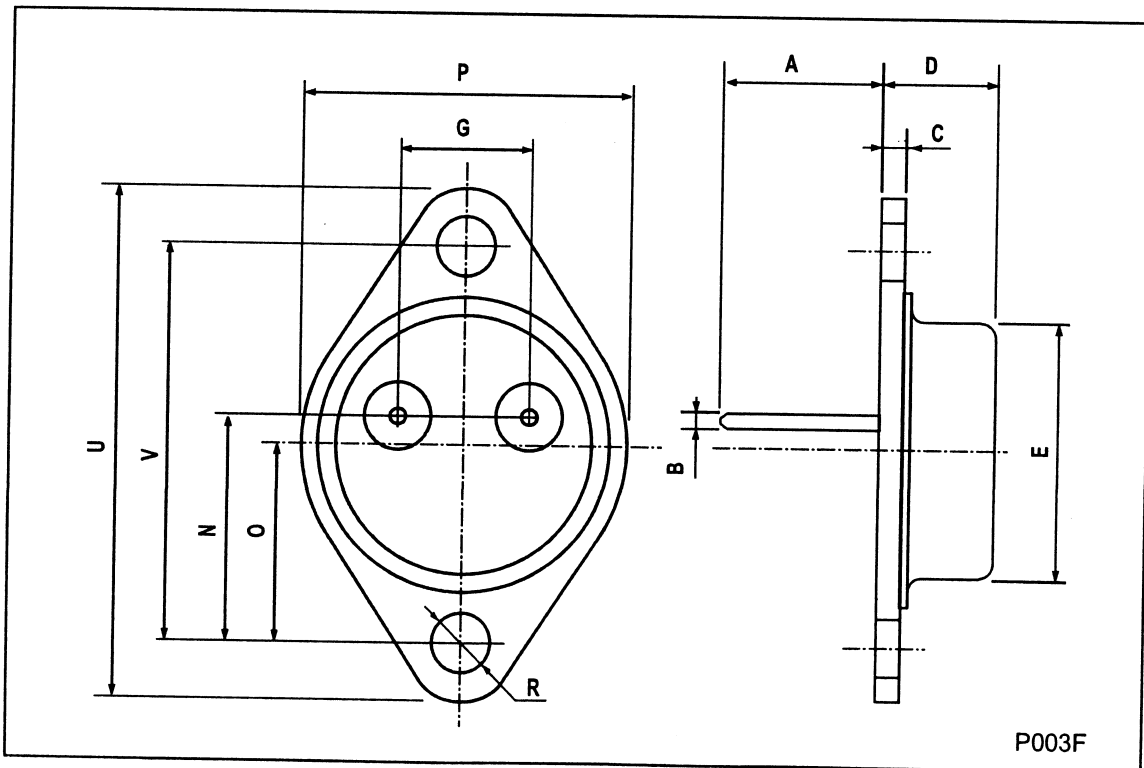
TO-3



Quality Semi-Conductors

### TO-3 MECHANICAL DATA

DIM.	mm			inch		
	MIN.	TYP.	MAX.	MIN.	TYP.	MAX.
A	11.00		13.10	0.433		0.516
B	0.97		1.15	0.038		0.045
C	1.50		1.65	0.059		0.065
D	8.32		8.92	0.327		0.351
E	19.00		20.00	0.748		0.787
G	10.70		11.10	0.421		0.437
N	16.50		17.20	0.649		0.677
P	25.00		26.00	0.984		1.023
R	4.00		4.09	0.157		0.161
U	38.50		39.30	1.515		1.547
V	30.00		30.30	1.187		1.193



P003F